



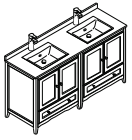
# FVN20-3030

# OXFORD

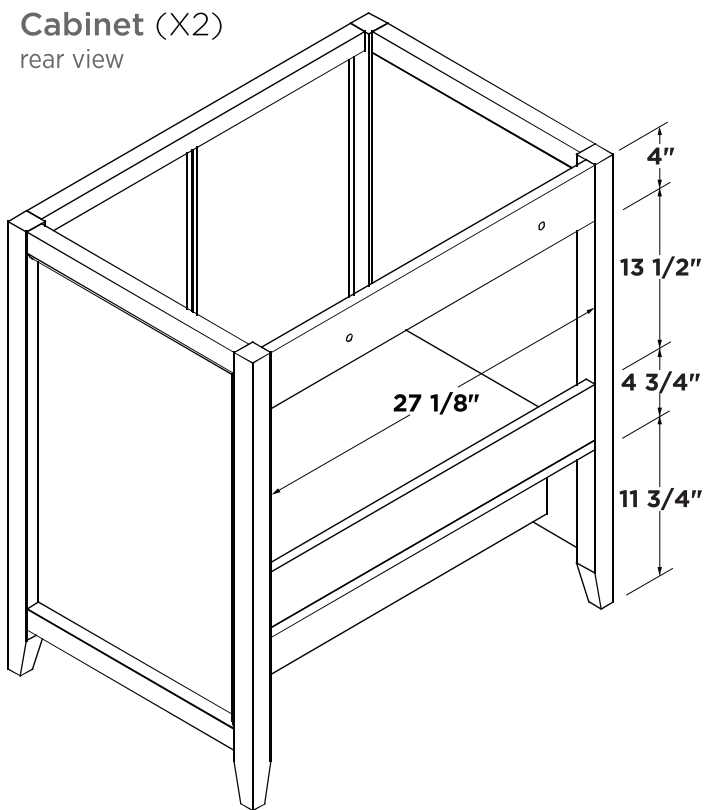
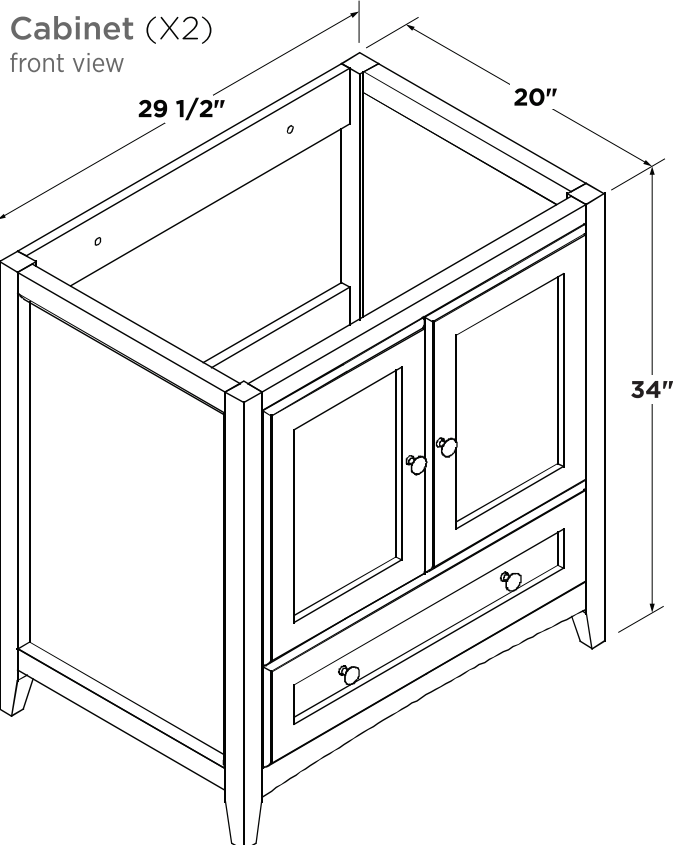
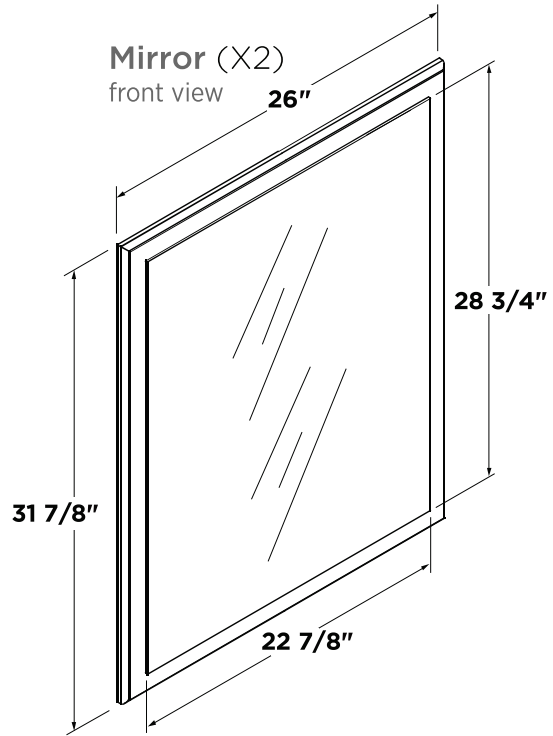
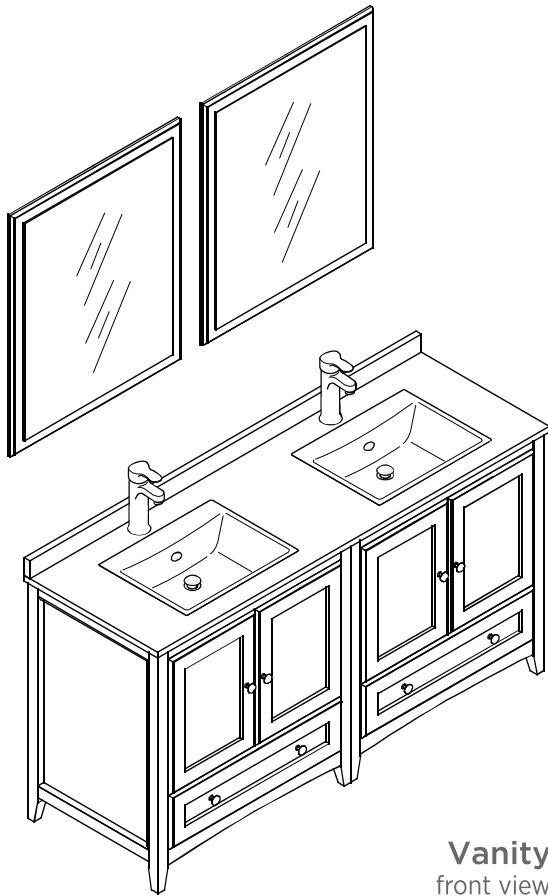
## INSTALLATION GUIDE

### CONTENTS:

Cabinet.....	(FCB20-3030).....	PAGE 4
Sink.....	(FVS2017).....	PAGE 5
Mirror.....	(FMR2030).....	PAGE 2
Countertop.....	(FCT2061-D).....	PAGE 5

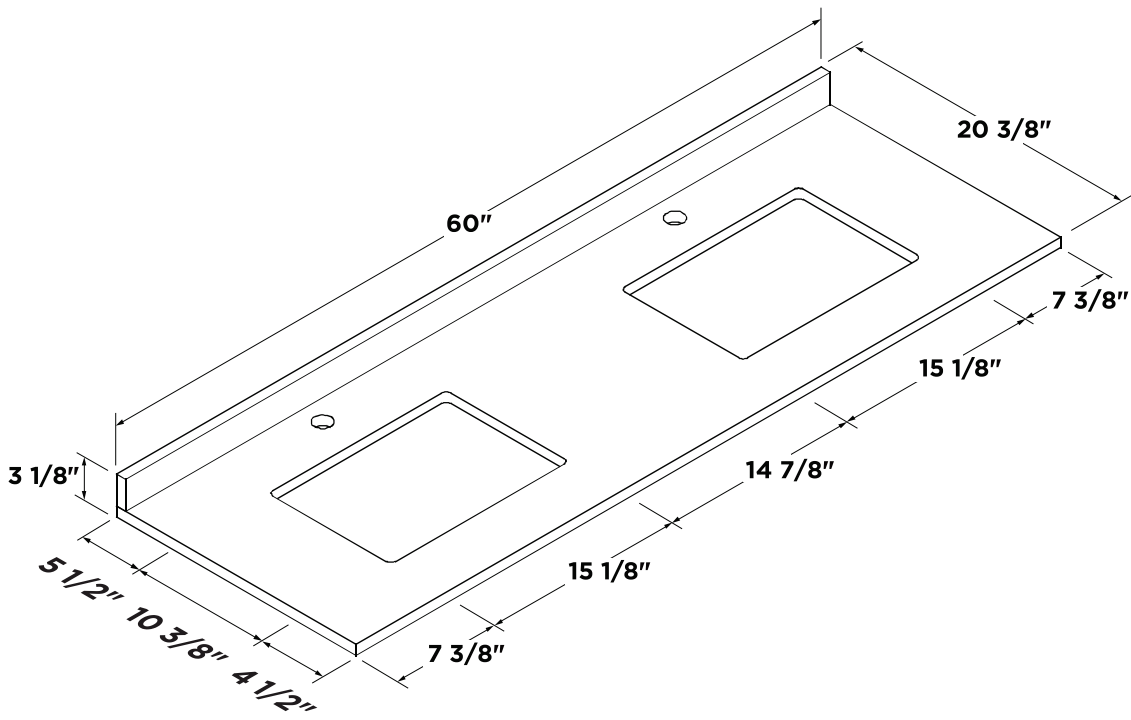


# FVN20-3030 OXFORD INSTALLATION GUIDE



**NOTE:** ALL DIMENSIONS & SPECIFICATIONS ARE APPROXIMATE AND SUBJECT TO CHANGE WITHOUT NOTICE.

# COUNTER TOP & BACK SPLASH DIMENSIONS



**NOTE:** ALL DIMENSIONS & SPECIFICATIONS ARE APPROXIMATE AND SUBJECT TO CHANGE WITHOUT NOTICE.

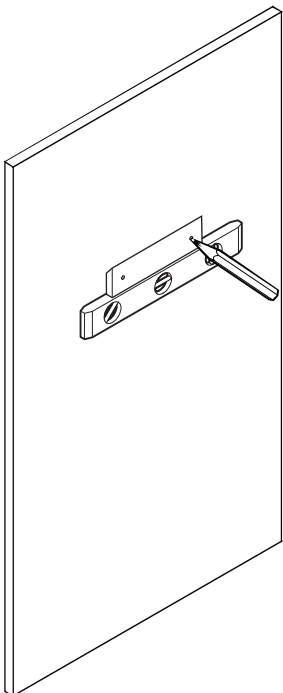
## TOOLS FOR ASSEMBLY



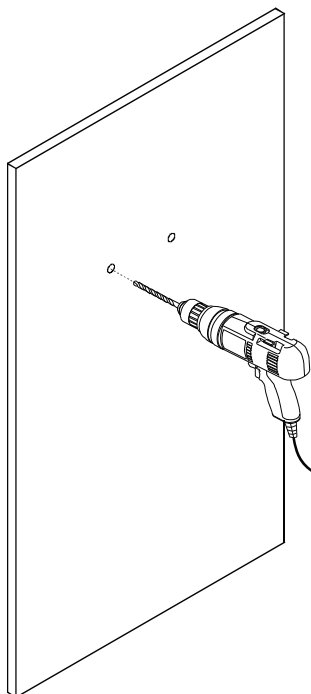
## MIRROR INSTALLATION

**\*NOTE:**  
Only use anchors if stud is not available.

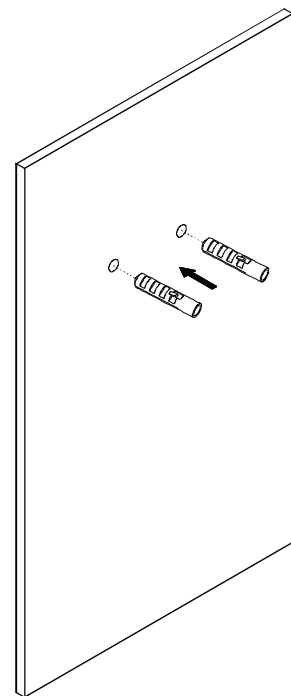
**1** Level the mirror bracket and then mark the installation position



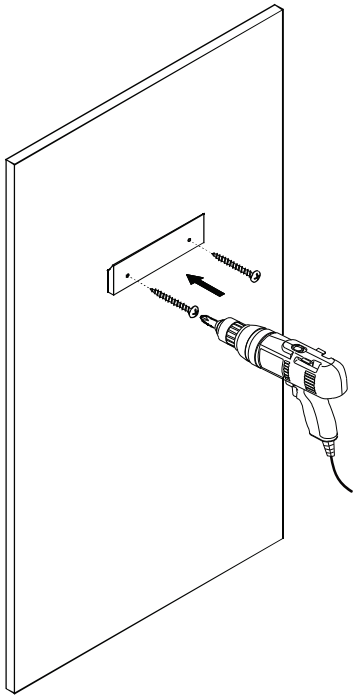
**2** Drill the holes



**3** Insert the anchors inside the holes

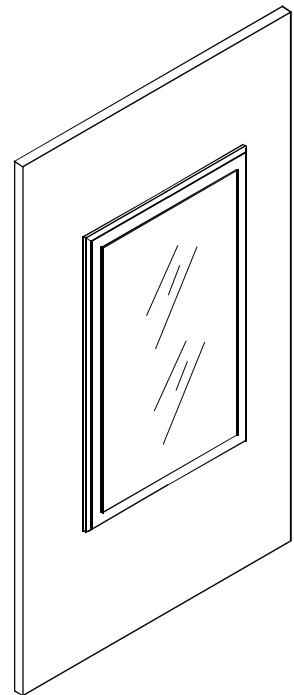
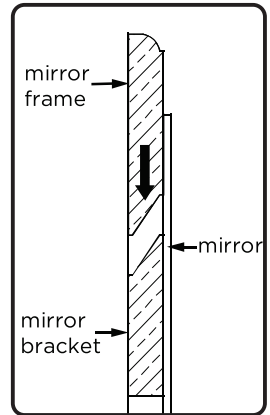
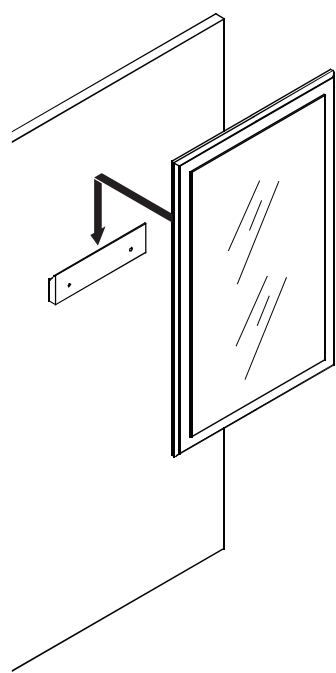


**4** Attach the bracket to the wall with the screws



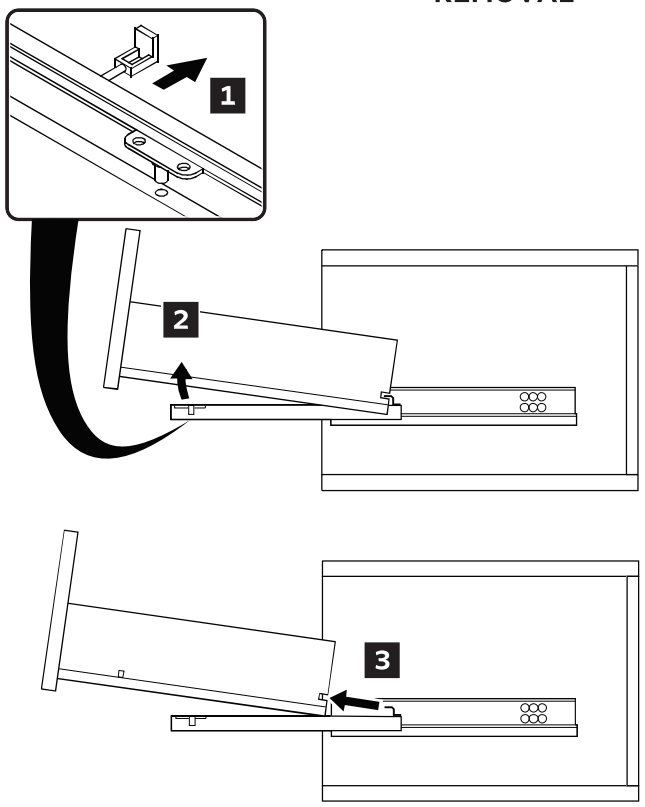
**NOTE:** Consult an expert for the proper screws/bolts to use when attaching to various constructions. Screws provided do not attach to all wall construction types.

**5** Hang the mirror on the bracket

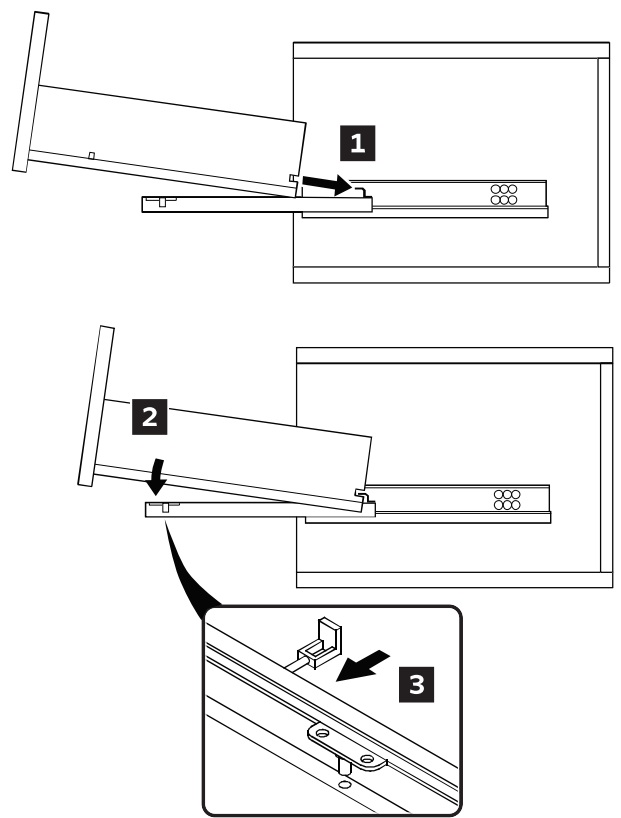


**DRAWER REMOVAL & INSTALLATION**

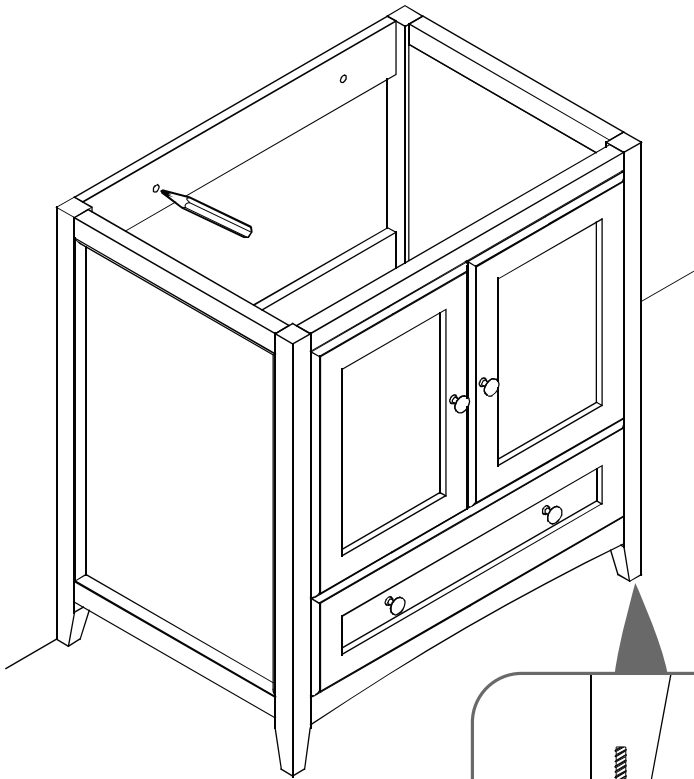
**REMOVAL**



**INSTALLATION**

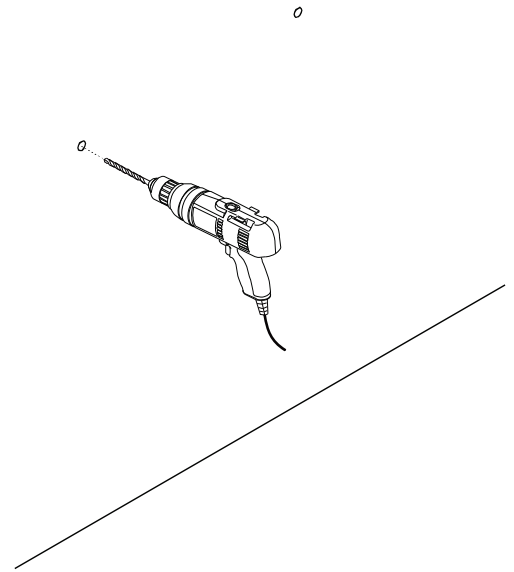


**1** Level the cabinet and mark position for the installation.



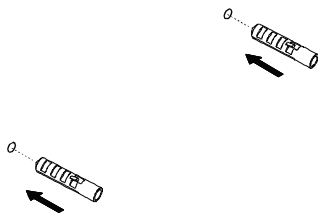
To ensure stability, cabinet's height can be regulated by turning the glide clockwise or counterclockwise.  
*(Optional Step)*

**2** Drill the holes previously marked.



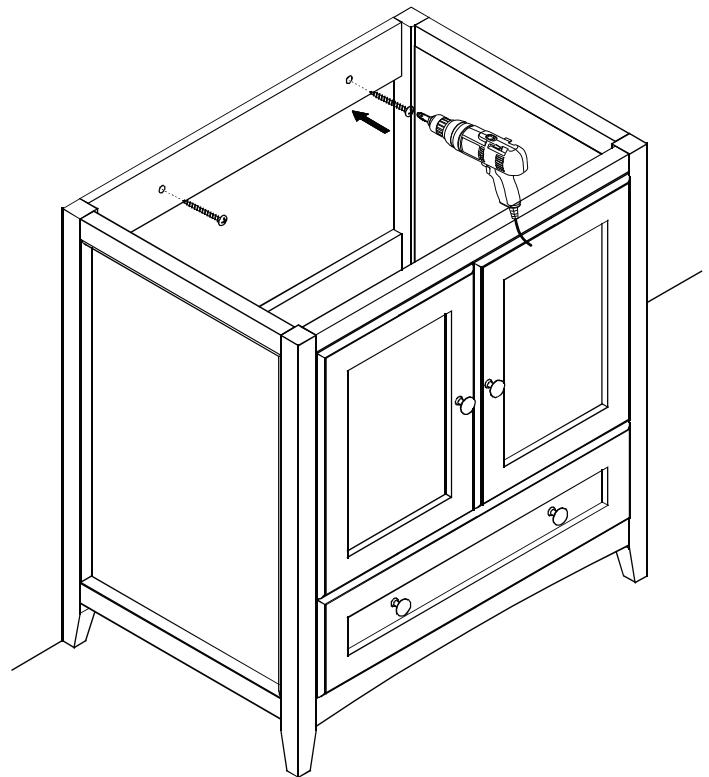
☞ Consult an expert for the proper screws/bolts to use when attaching to various wall constructions. Screws provided **do not attach** to all wall construction types.

**3** \*Insert the anchors into the holes

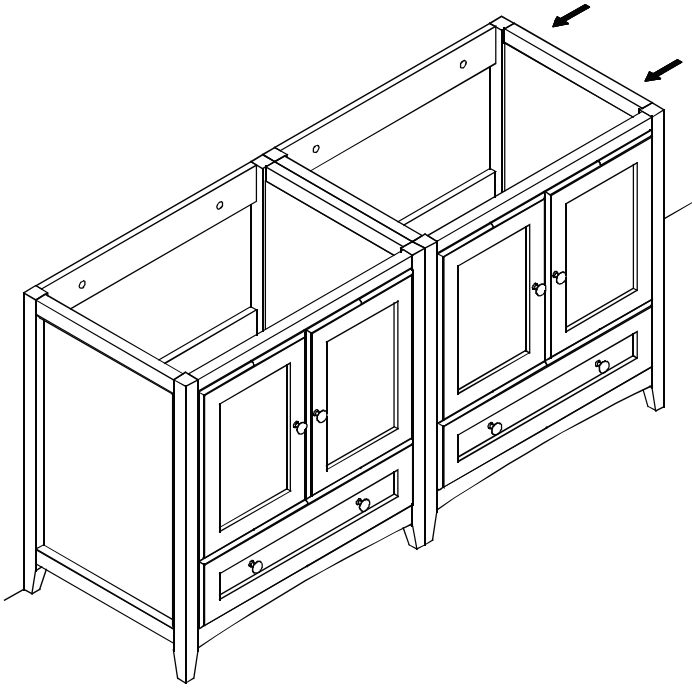


**\*NOTE:**  
Only use anchors if stud is not available.

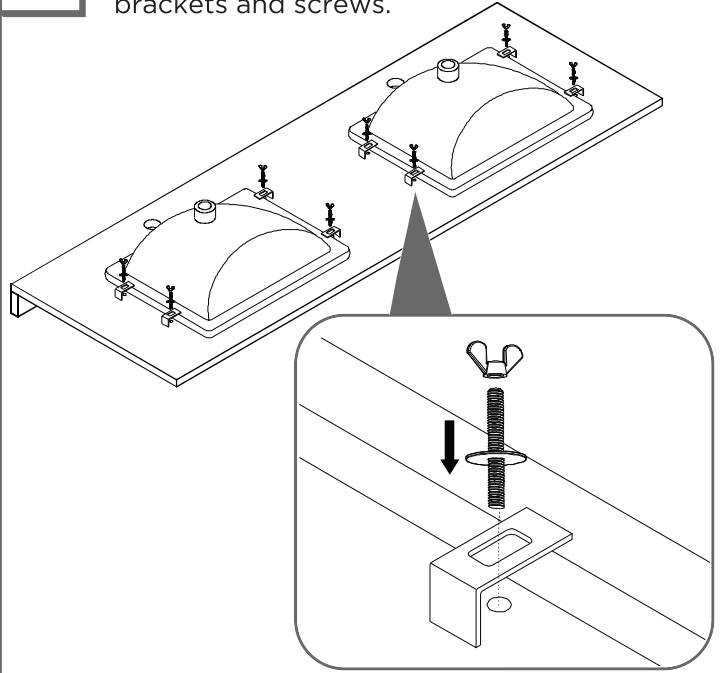
**4** \*Connect the cabinet to the wall using screws



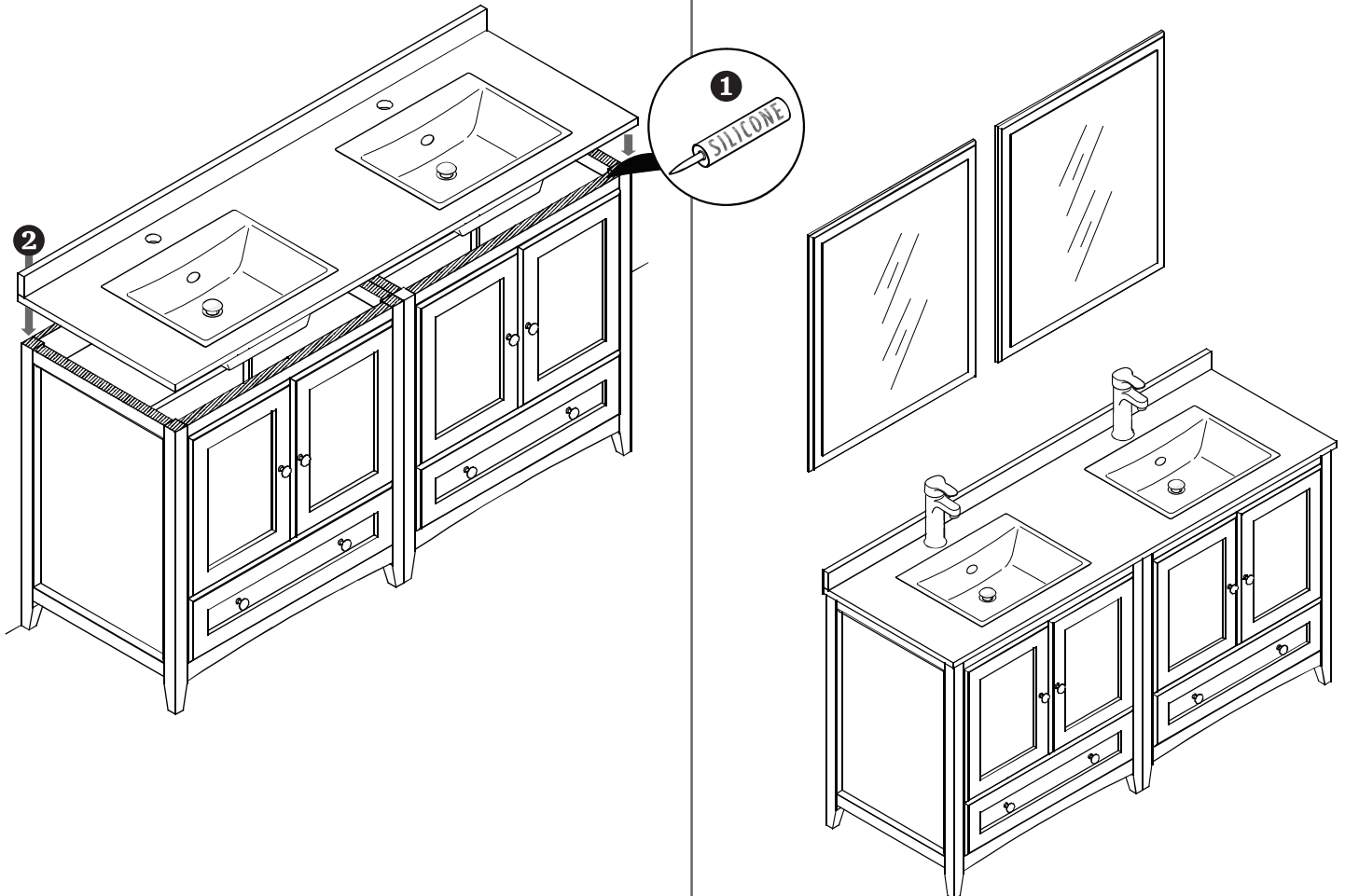
**5** Align and repeat the cabinet installation.



**6** Attach sinks to the countertop with provided brackets and screws.

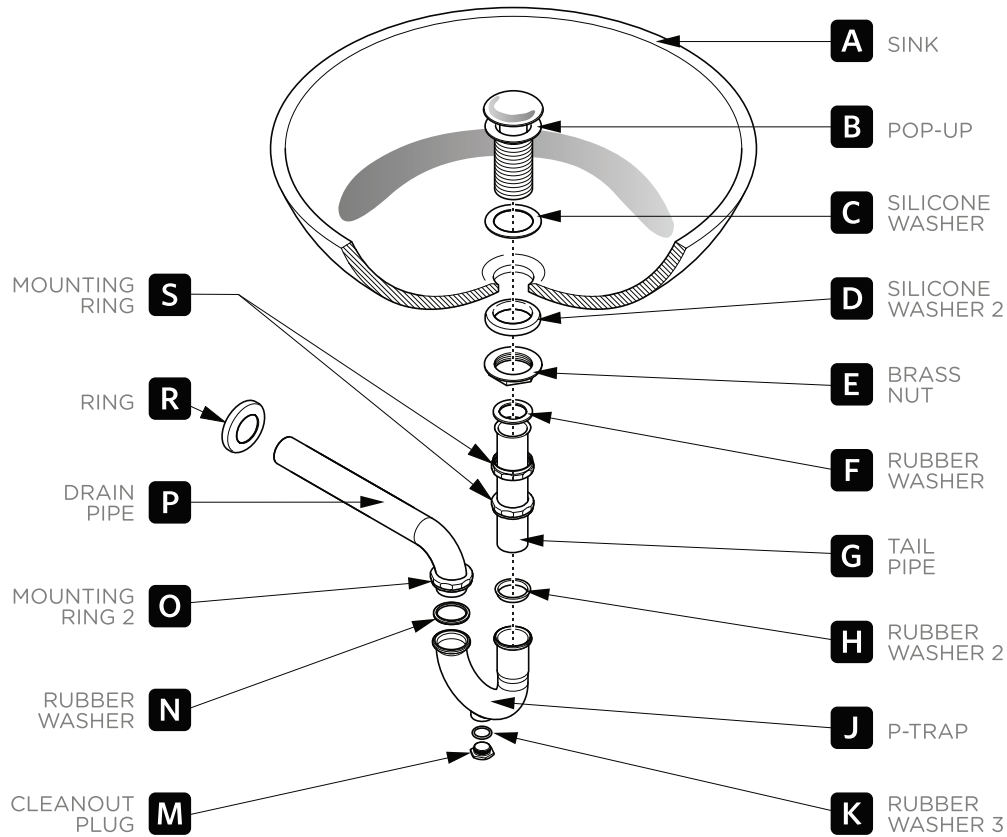


**7** Apply silicone on the top of the cabinet and place countertop with sinks on it.



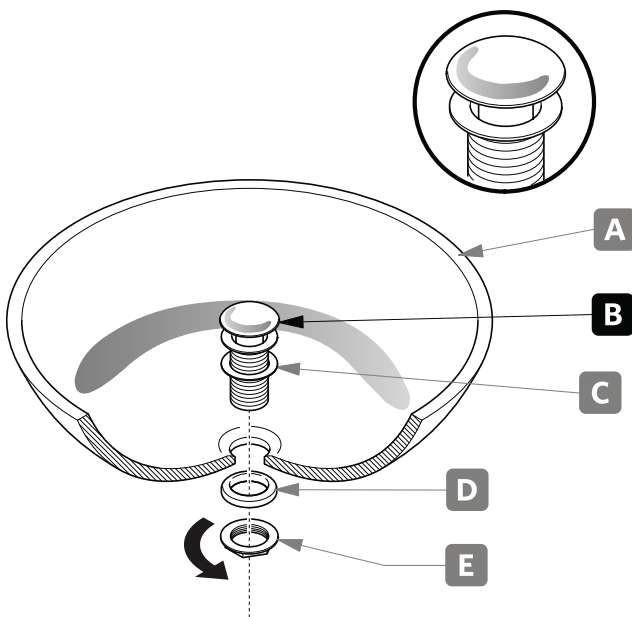
# P-TRAP & POP-UP INSTALLATION INSTRUCTIONS

Your item may appear slightly different from the illustration.



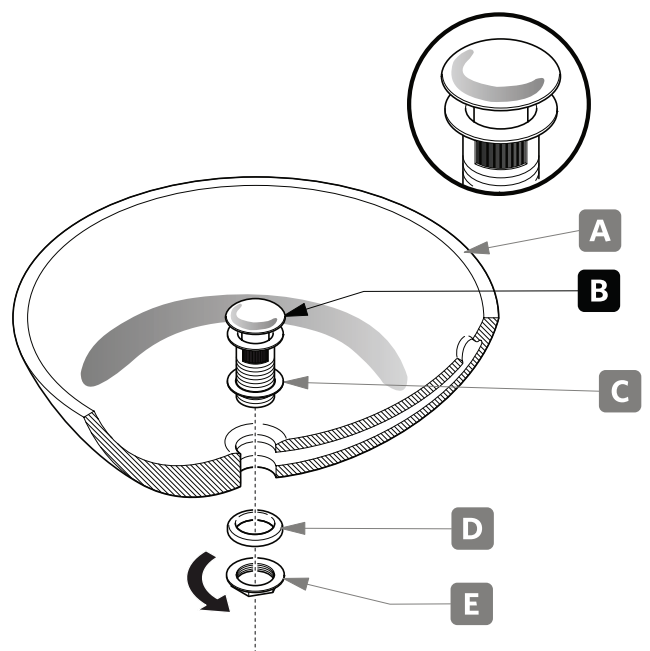
## POP-UP INSTALLATION

**FOR SINKS  
WITHOUT OVERFLOW**



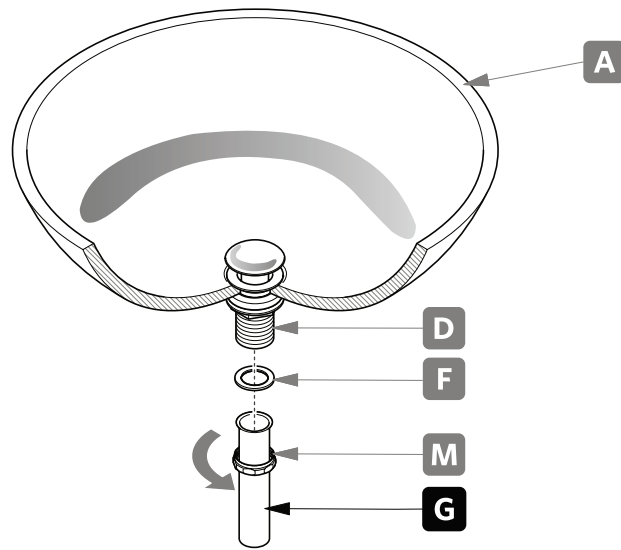
OR

**FOR SINKS  
WITH OVERFLOW**



# P-TRAP INSTALLATION

**1.** Install tail pipe (G).



**2.** Install P-trap (J).

