



FVN2030

OXFORD

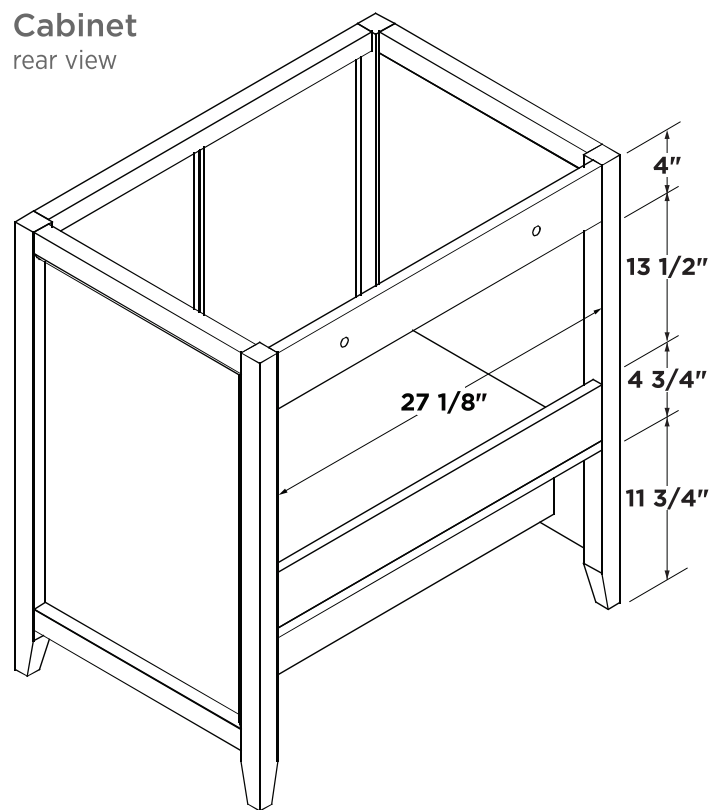
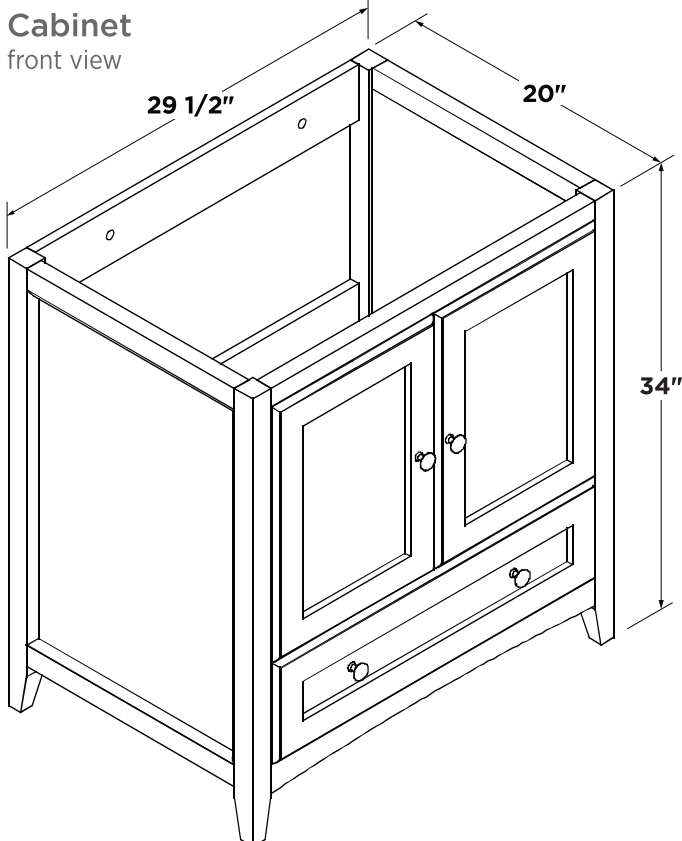
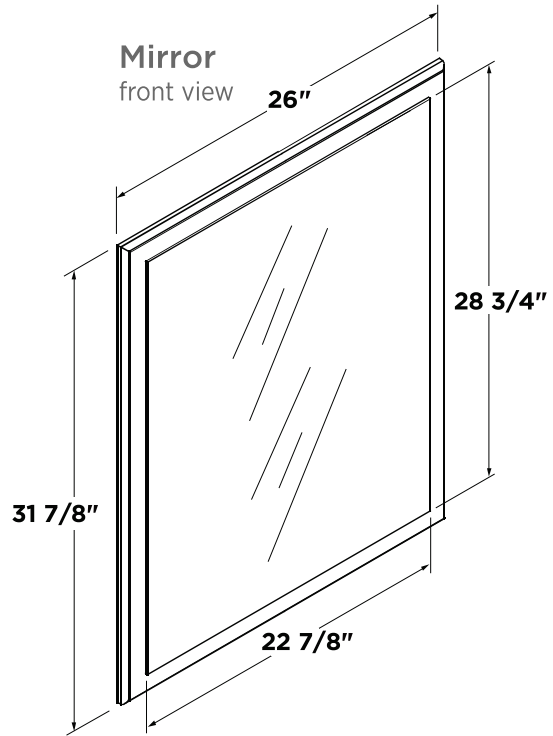
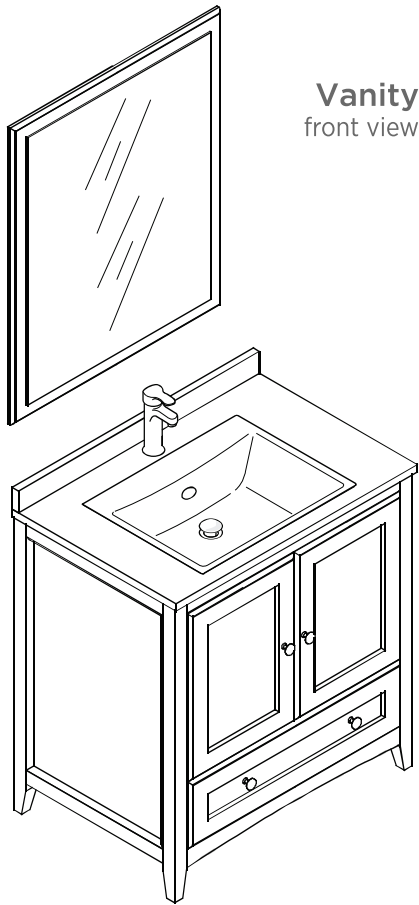
INSTALLATION GUIDE

CONTENTS:

Cabinet.....	(FCB2030).....	PAGE 4
Sink.....	(FVS2017).....	PAGE 5
Mirror.....	(FMR2030).....	PAGE 2
Countertop.....	(FCT2030).....	PAGE 5

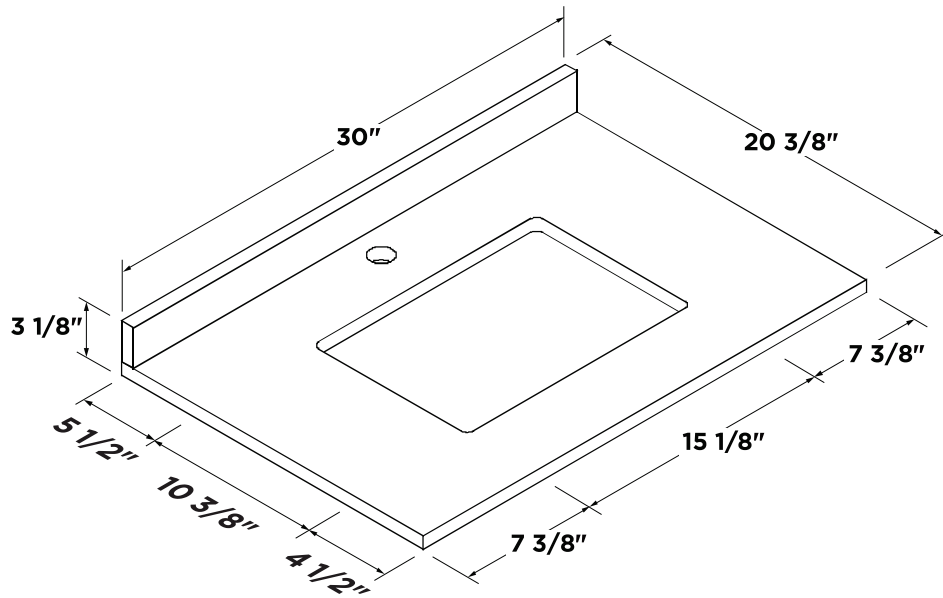


FVN2030
OXFORD
INSTALLATION GUIDE



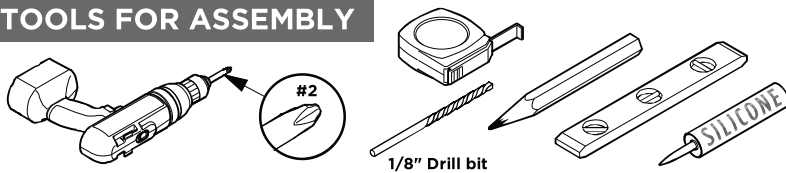
NOTE: ALL DIMENSIONS & SPECIFICATIONS ARE APPROXIMATE AND SUBJECT TO CHANGE WITHOUT NOTICE.

COUNTER TOP & BACK SPLASH DIMENSIONS



NOTE: ALL DIMENSIONS & SPECIFICATIONS ARE APPROXIMATE AND SUBJECT TO CHANGE WITHOUT NOTICE.

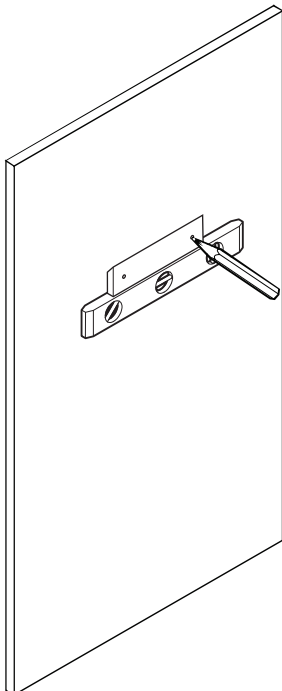
TOOLS FOR ASSEMBLY



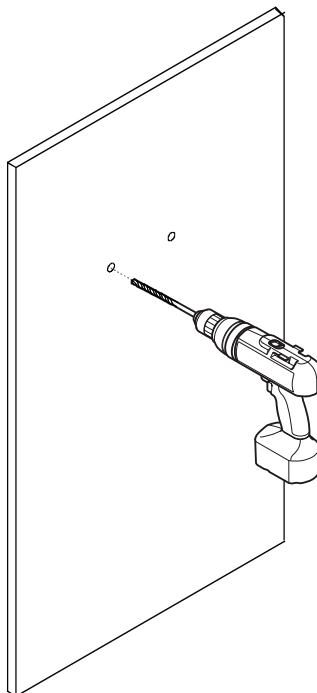
MIRROR INSTALLATION

***NOTE:**
Only use anchors
if stud is not available.

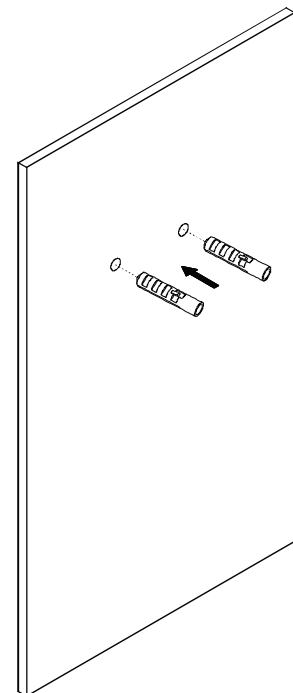
1 Level the mirror bracket and then mark the installation position



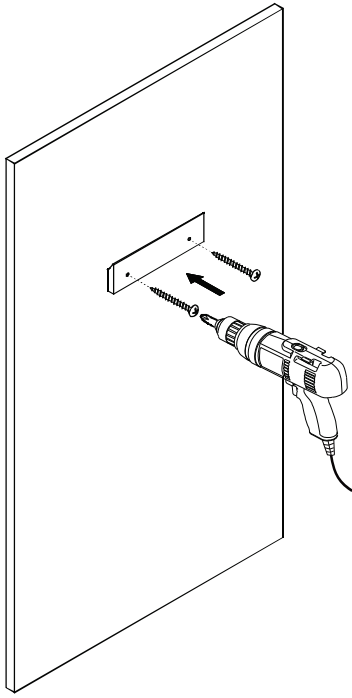
2 Drill the holes



3 Insert the anchors inside the holes

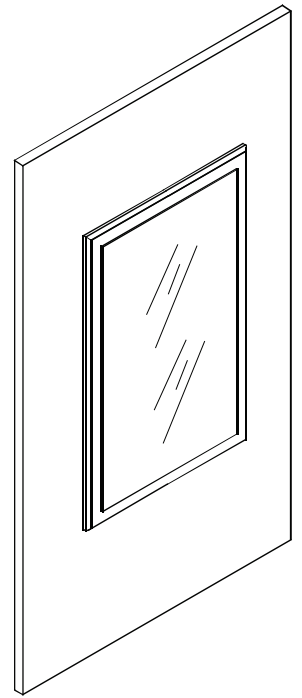
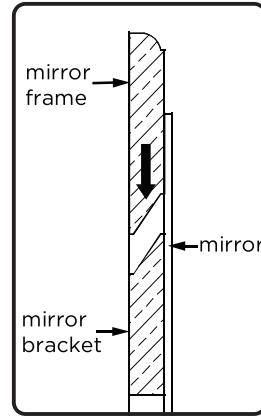
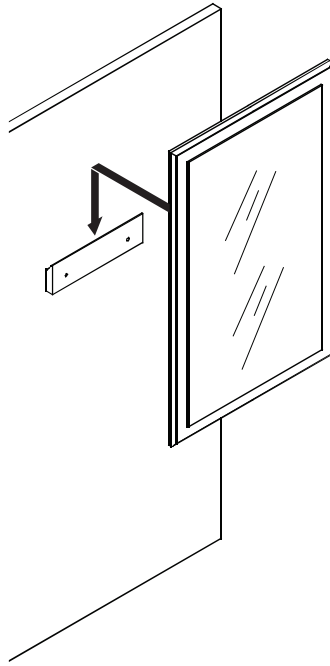


4 Attach the bracket to the wall with the screws



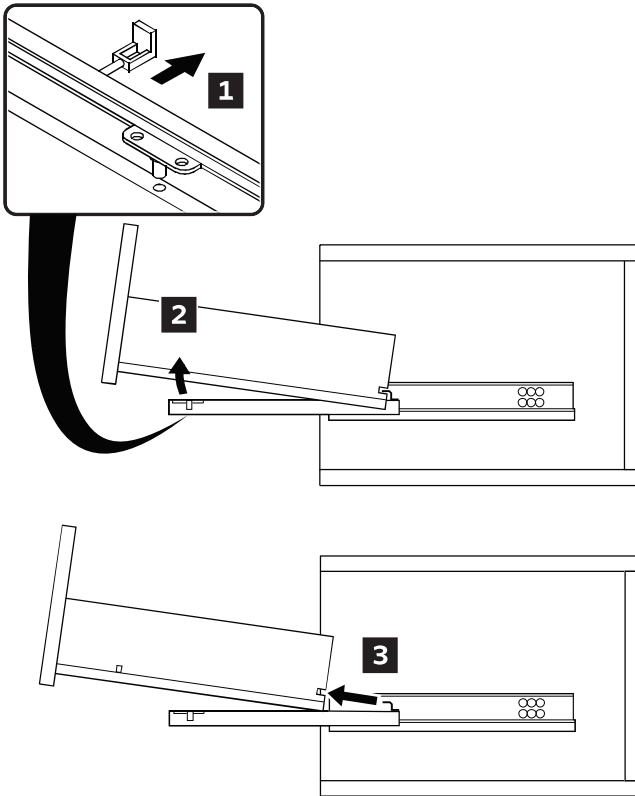
NOTE: Consult an expert for the proper screws/bolts to use when attaching to various constructions. Screws provided do not attach to all wall construction types.

5 Hang the mirror on the bracket

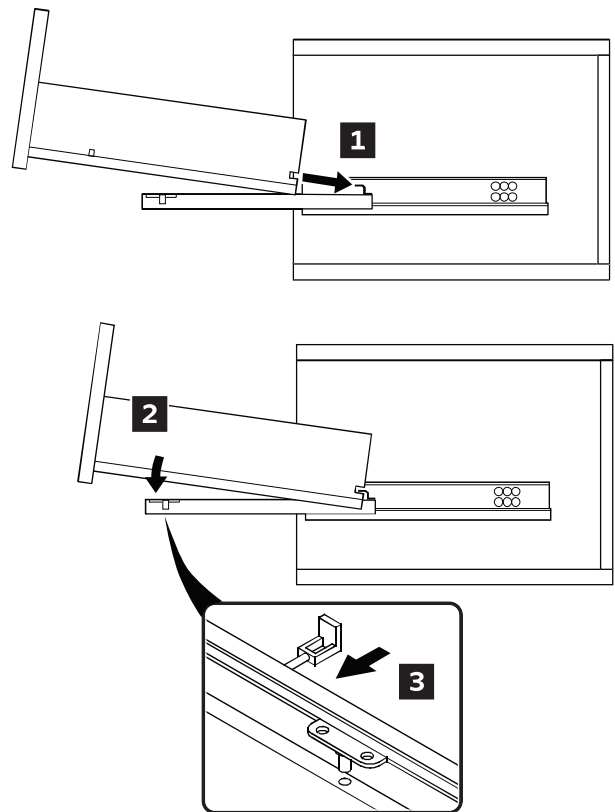


DRAWER REMOVAL & INSTALLATION

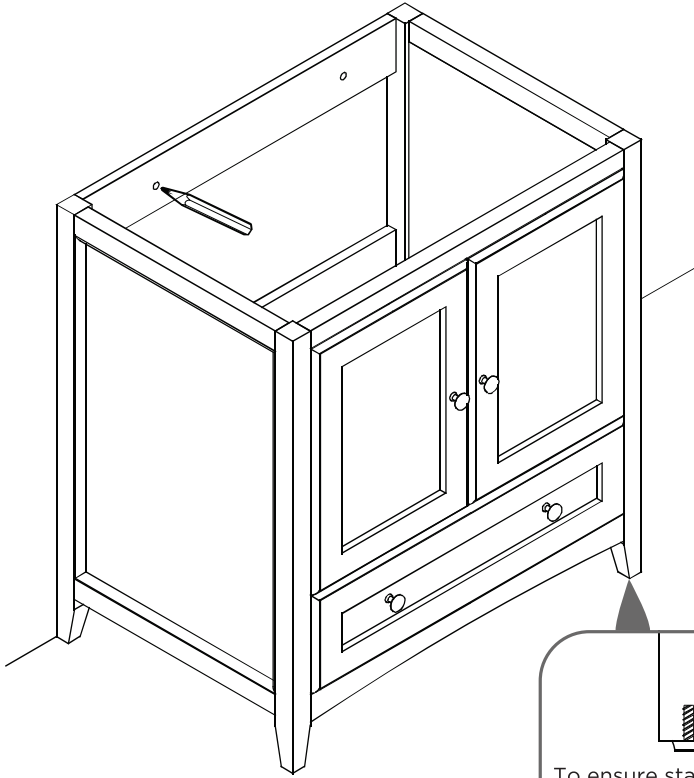
REMOVAL



INSTALLATION

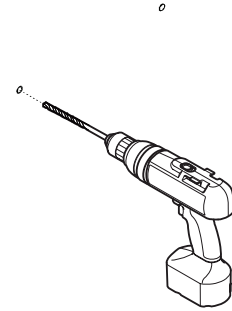


1 Level the cabinet and mark position for the installation.



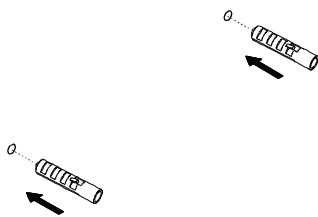
To ensure stability, cabinet's height can be regulated by turning the glide clockwise or counterclockwise.
(Optional Step)

2 Drill the holes previously marked.



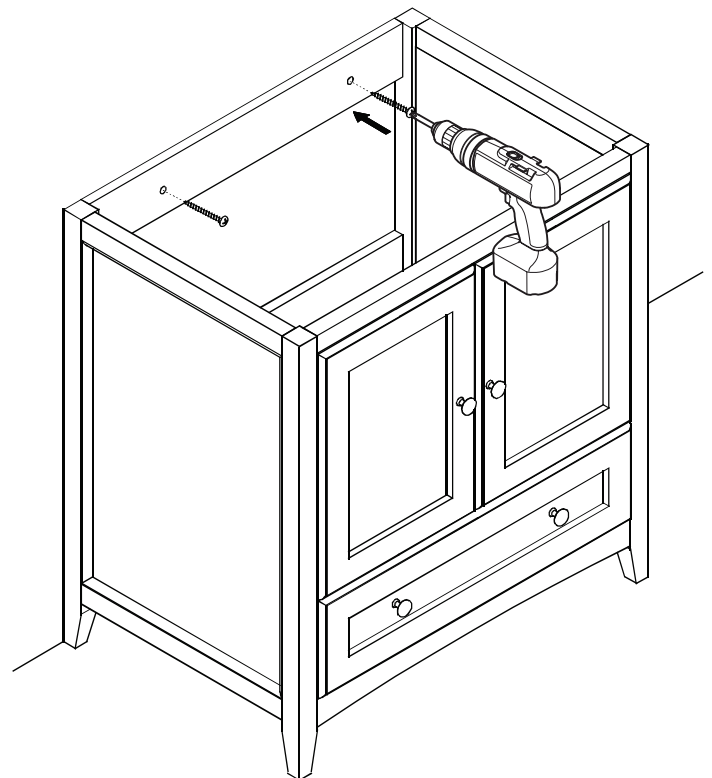
Consult an expert for the proper screws/bolts to use when attaching to various wall constructions. Screws provided **do not attach** to all wall construction types.

3 *Insert the anchors into the holes



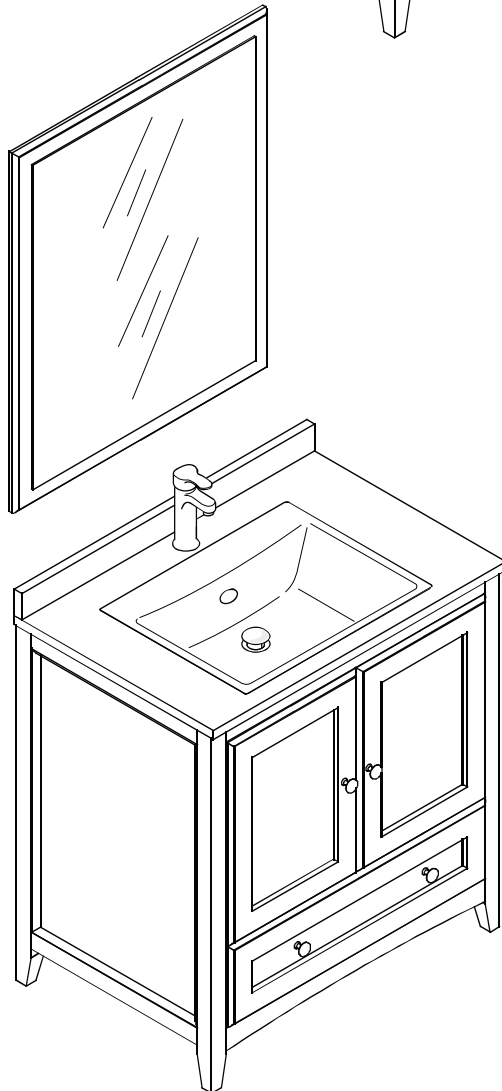
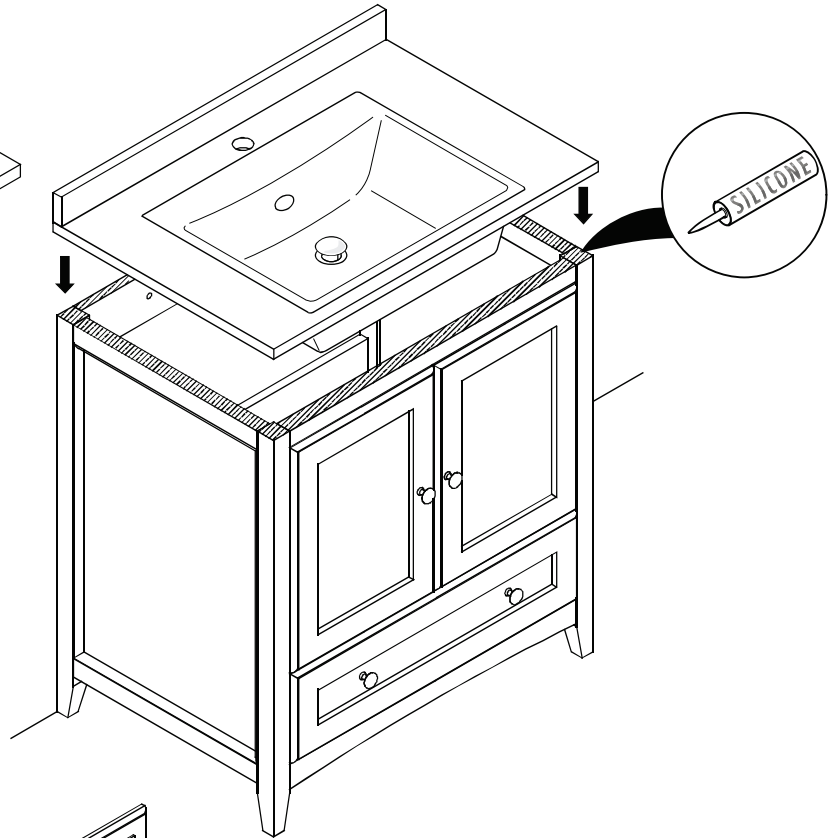
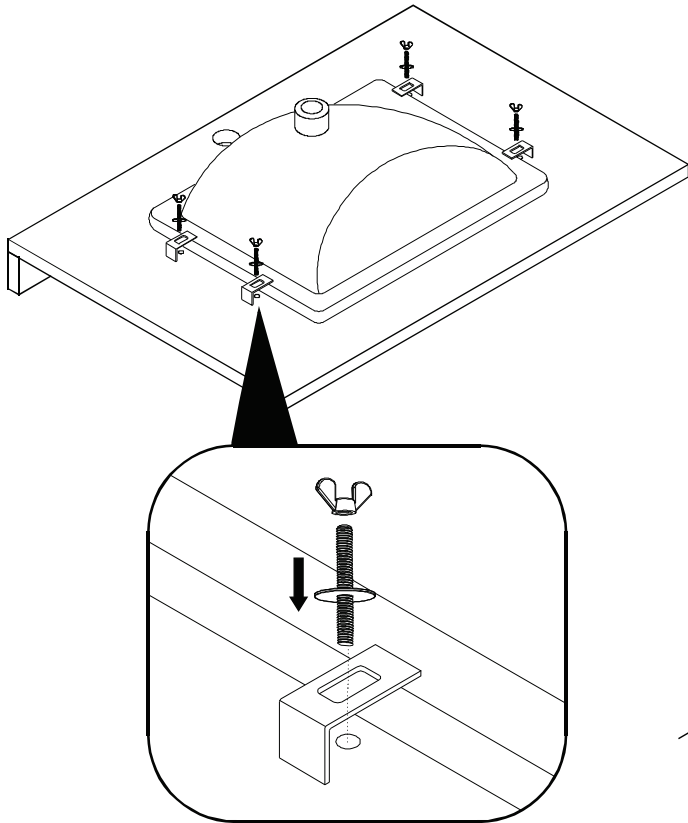
***NOTE:**
Only use anchors if stud is not available.

4 Connect the cabinet to the wall using screws



5 Flip the countertop upside down and attach the sink to it using a provided brackets & screws.

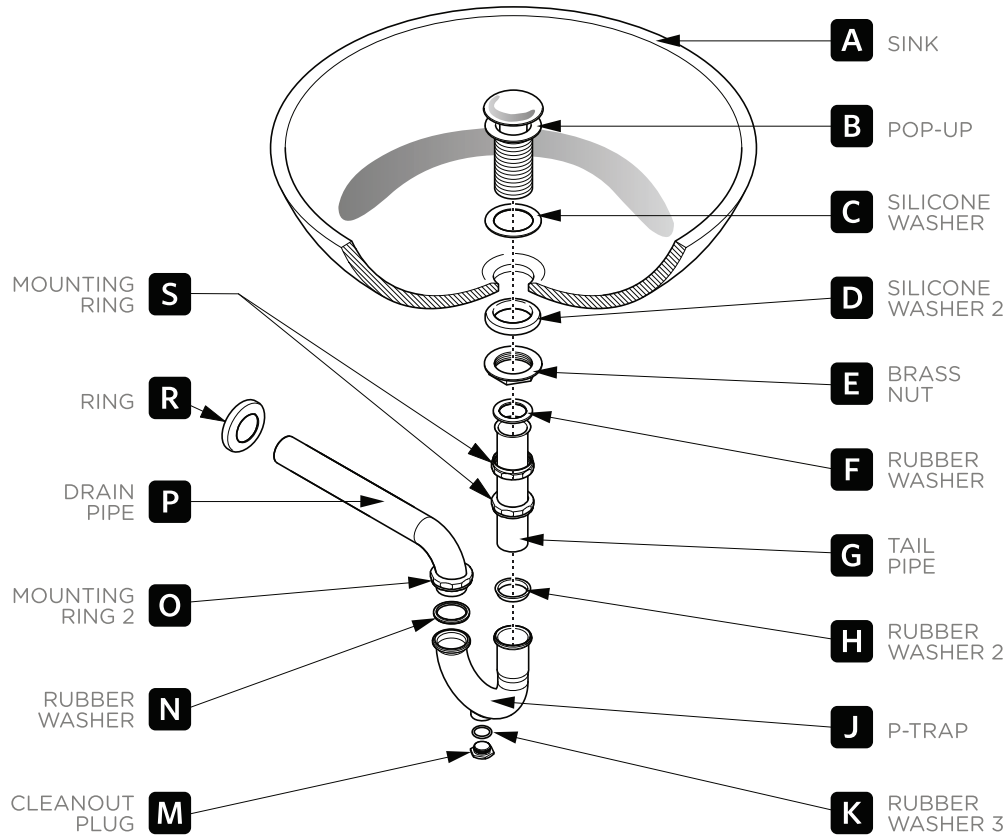
6 Apply silicone to the top of the cabinet and place the countertop with sink attached on it.



P-TRAP & POP-UP

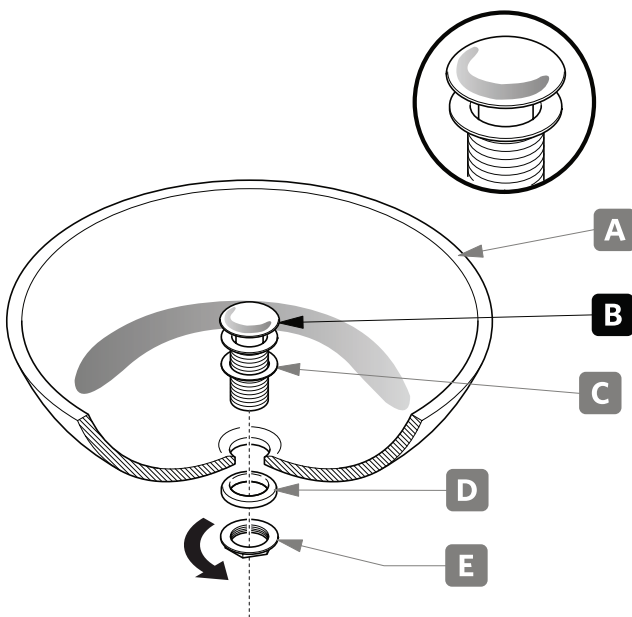
INSTALLATION INSTRUCTIONS

Your item may appear slightly different from the illustration.



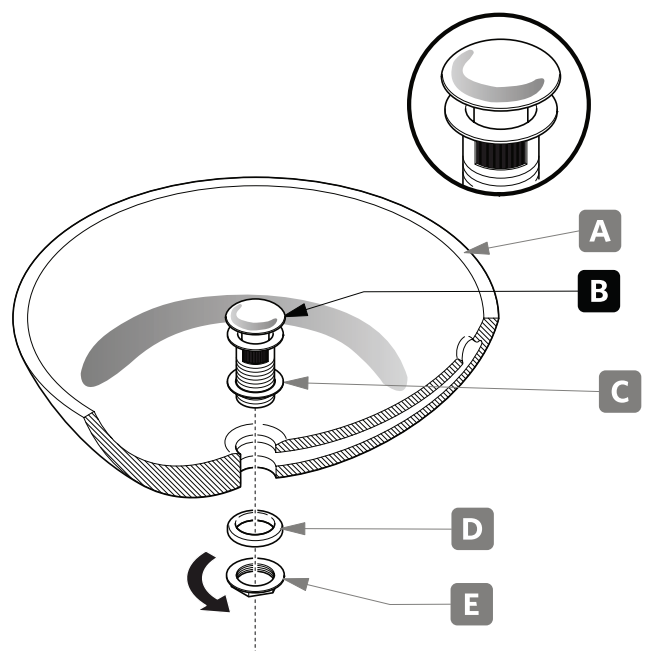
POP-UP INSTALLATION

FOR SINKS WITHOUT OVERFLOW



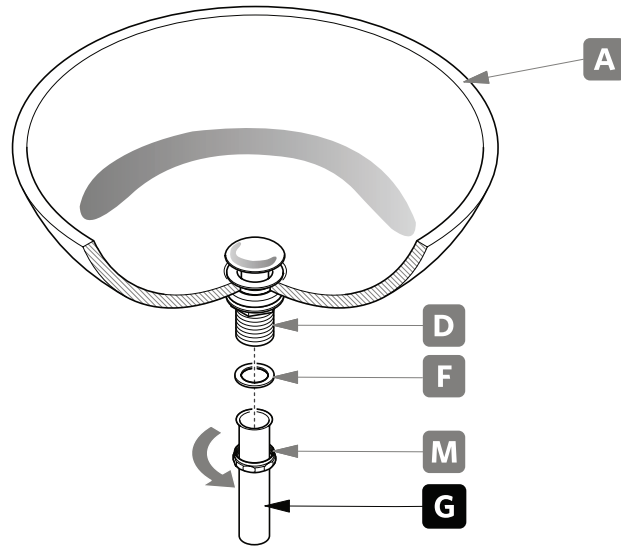
OR

FOR SINKS WITH OVERFLOW



P-TRAP INSTALLATION

1 Install tail pipe (G).



2 Install P-trap (J).

