

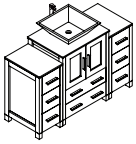


FVN62-122412-VSL TORINO

INSTALLATION GUIDE

CONTENTS:

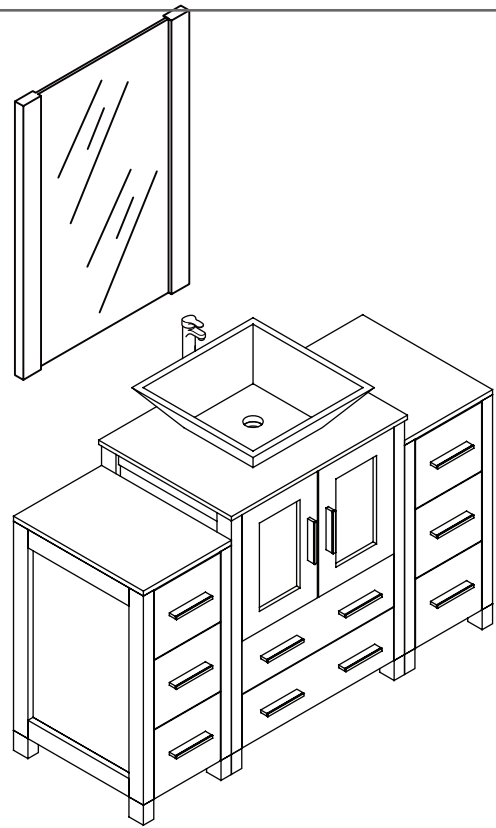
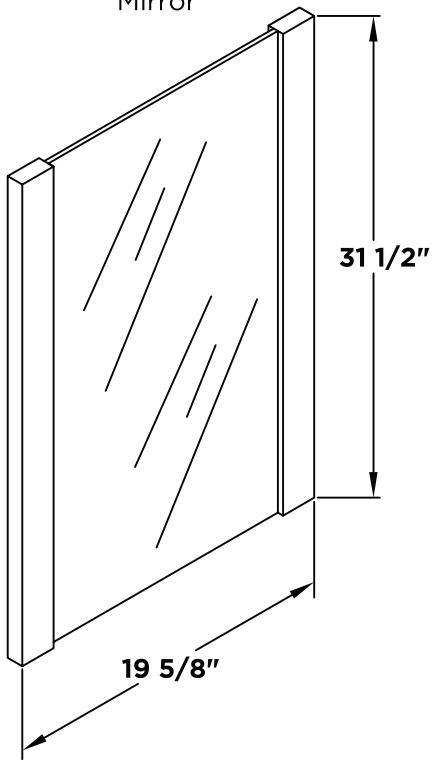
Cabinet.....	(FCB62-122412).....	PAGE 3
Sink.....	(FVS6217).....	PAGE 4
Mirror.....	(FMR6224).....	PAGE 2
Countertop.....	(FCT6224).....	PAGE 4



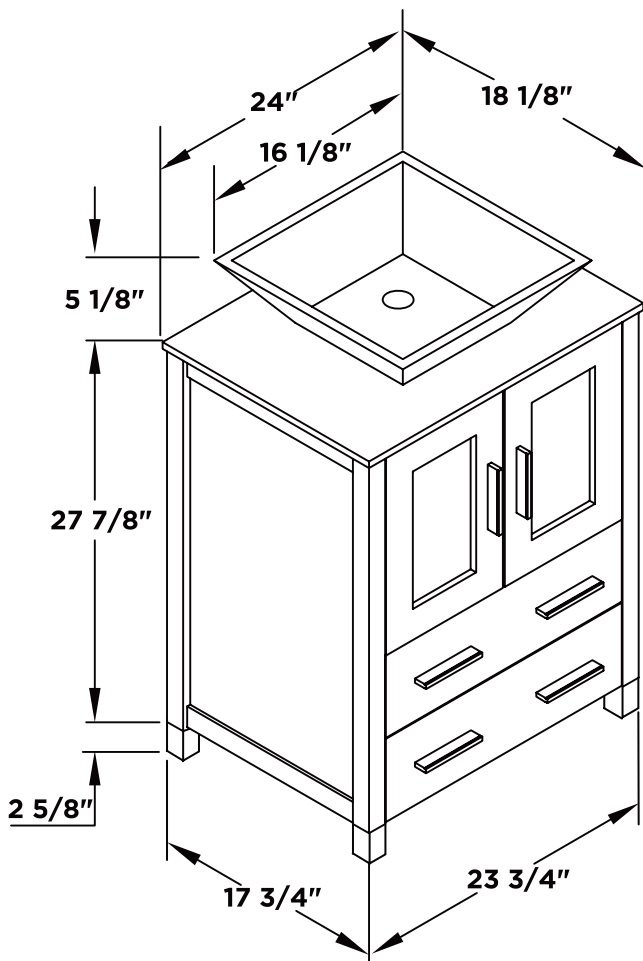
FVN62-122412-VSL
TORINO
INSTALLATION GUIDE



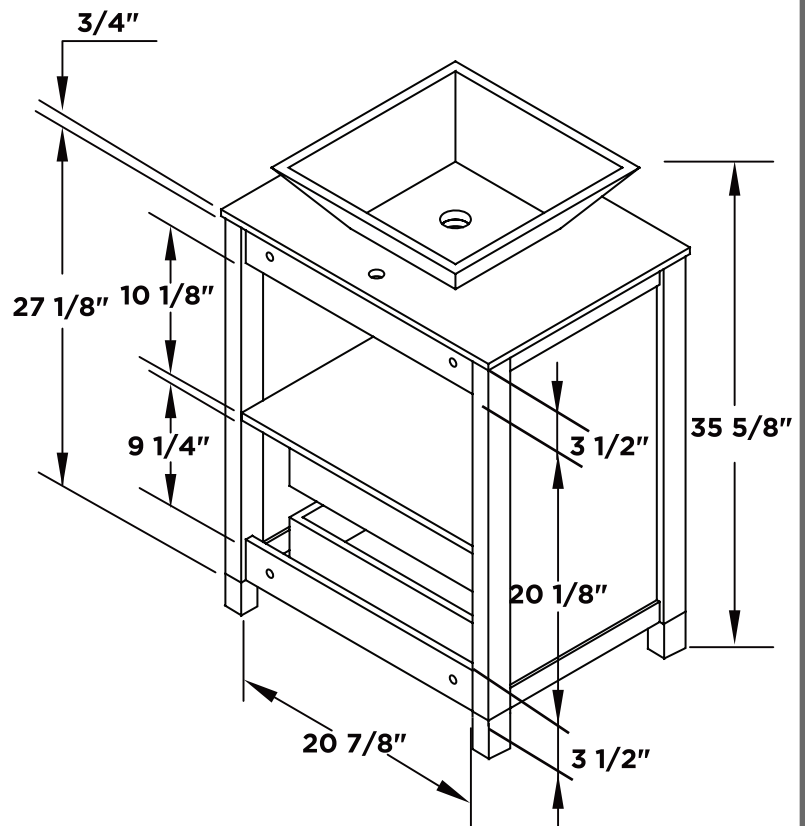
Mirror



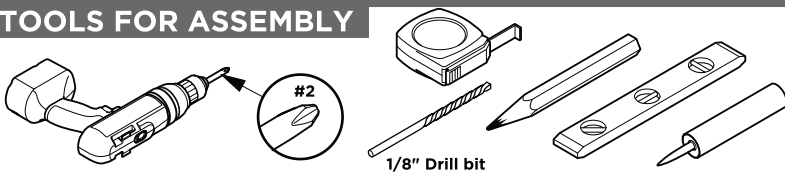
Vanity Front



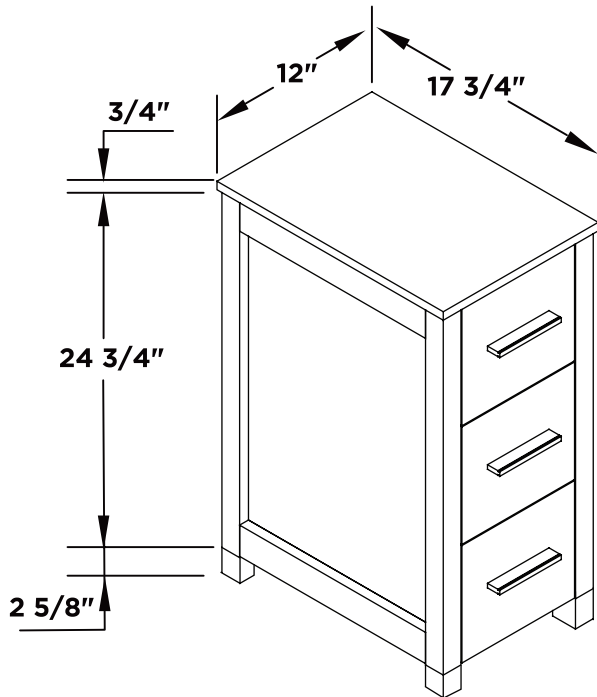
Vanity Back



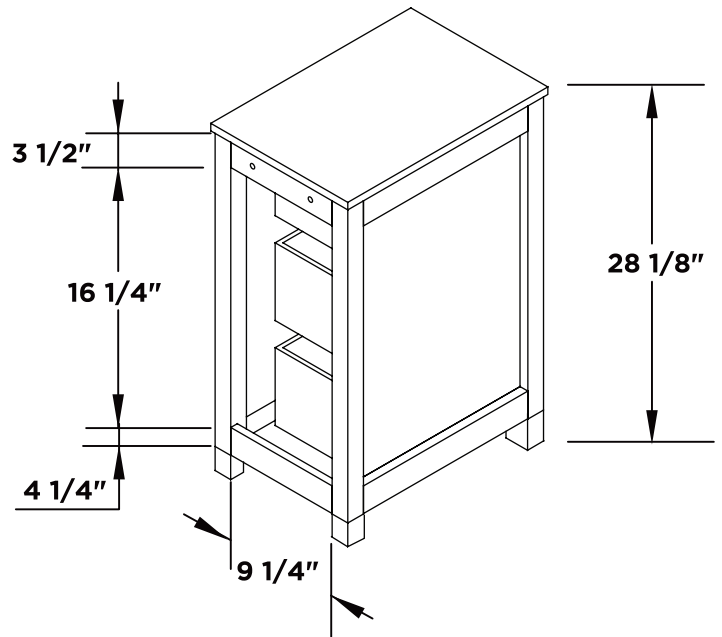
TOOLS FOR ASSEMBLY



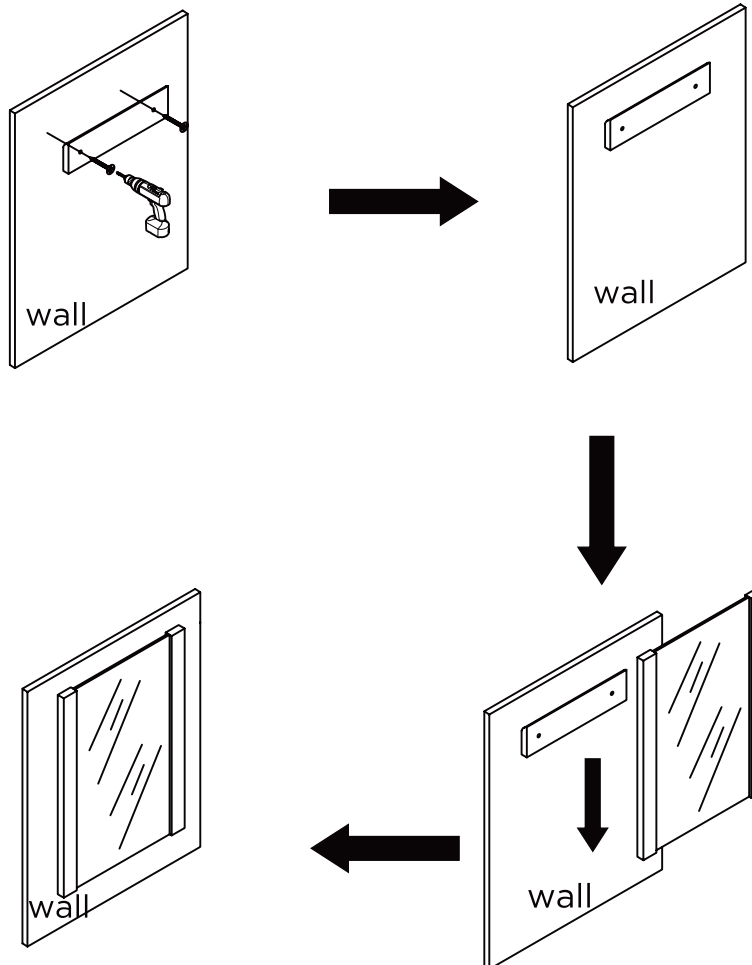
Side Cabinet Front 2PCS



Side Cabinet Back 2PCS

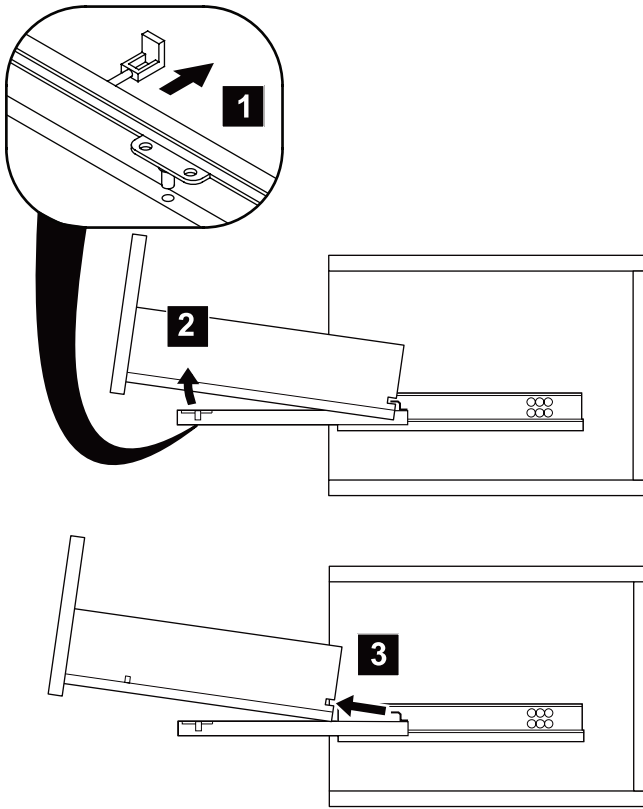


MIRROR INSTALLATION

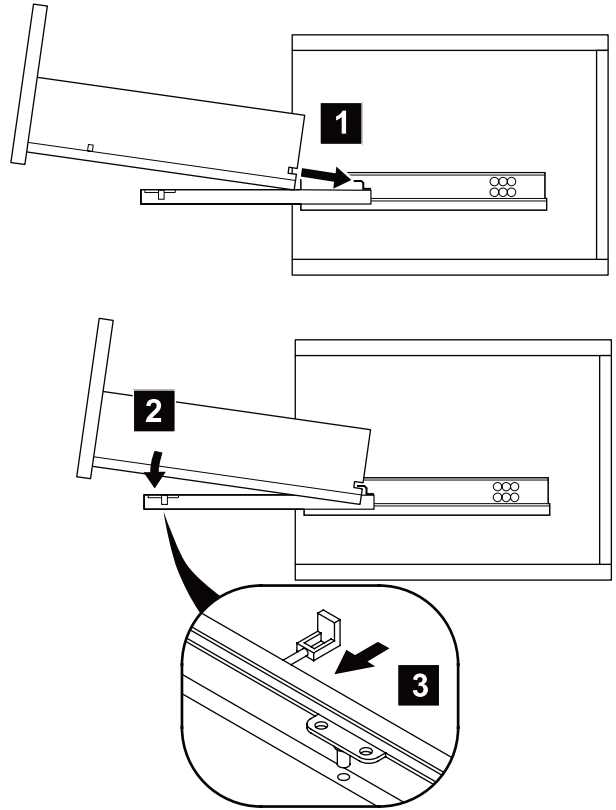


DRAWER REMOVAL & INSTALLATION

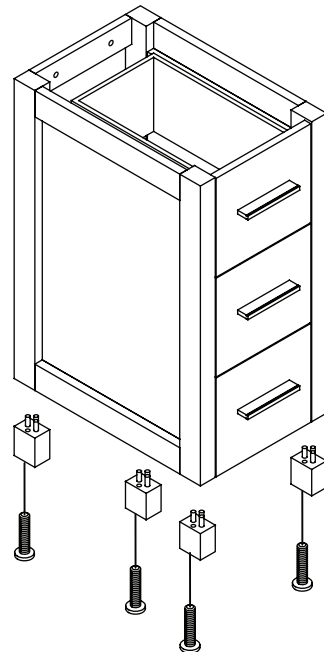
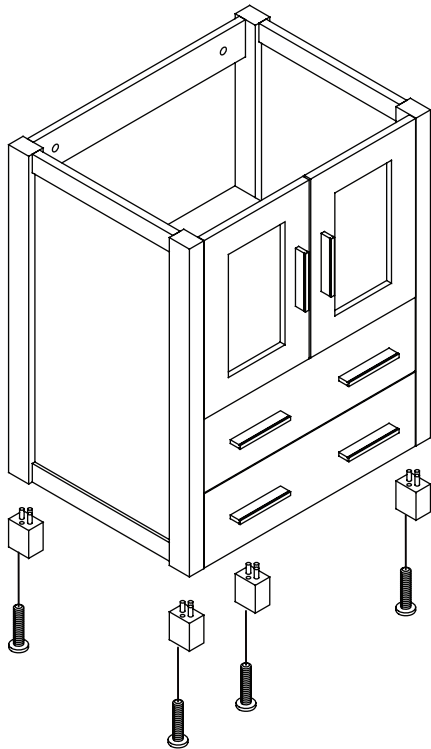
REMOVAL



INSTALLATION



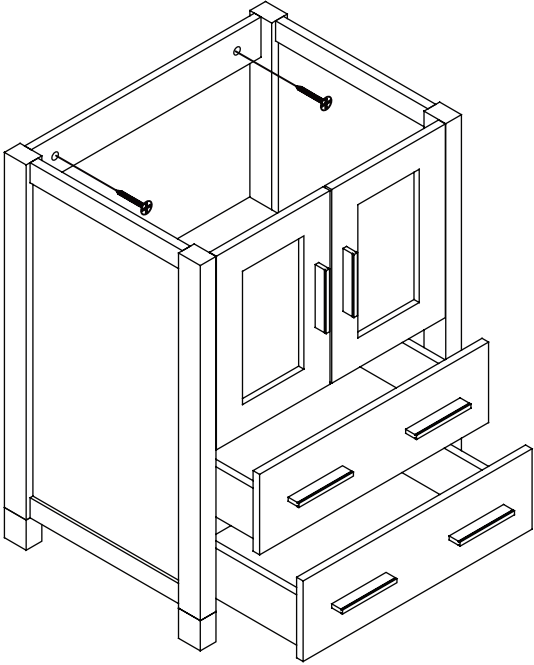
1 Install leg



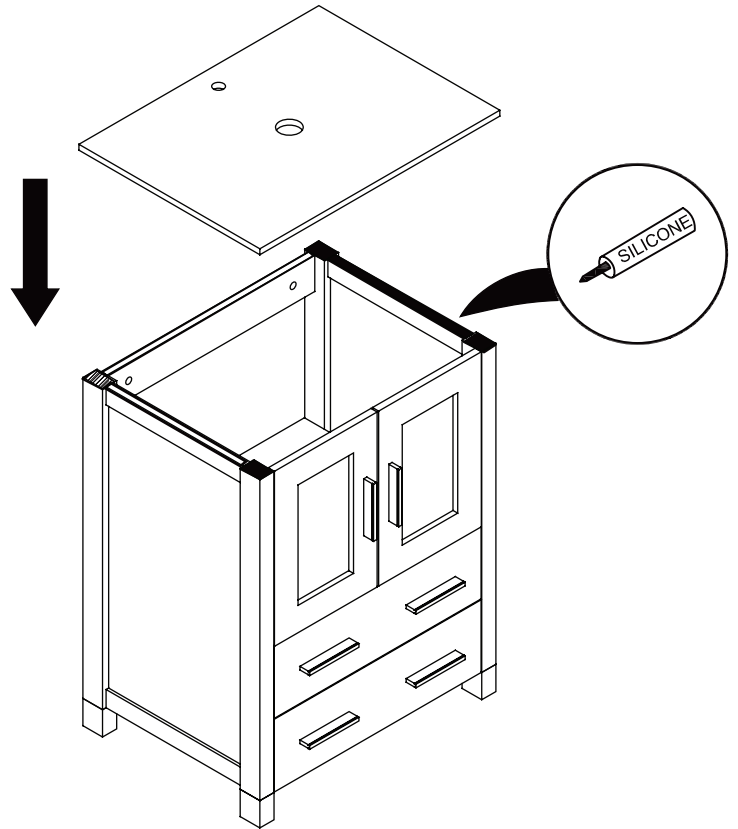
2 Remove drawer

3 Install cabinet

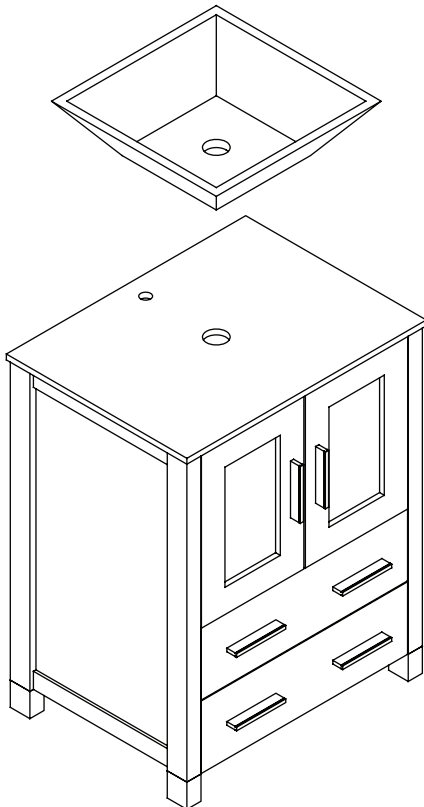
IMPORTANT: Consult an expert for the proper screws/bolts to use when attaching to various wall constructions. Screws provided do not attach to all wall construction types.



4 Install top panel

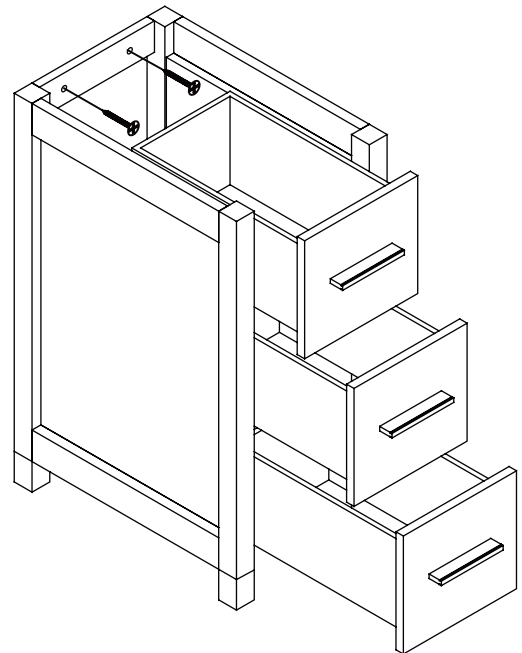


5 Install sink



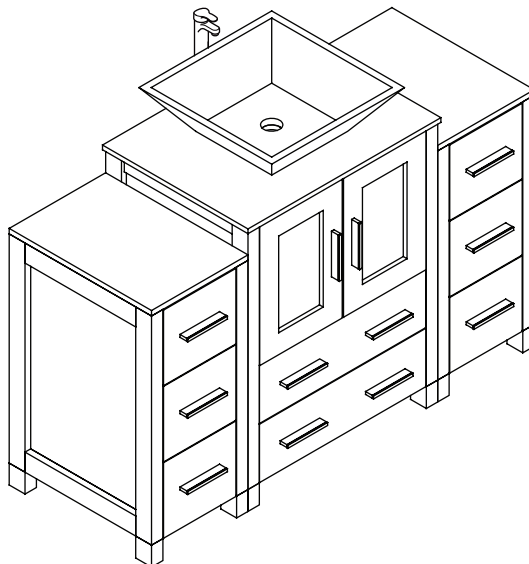
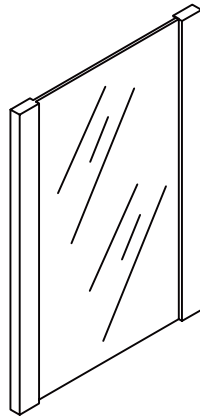
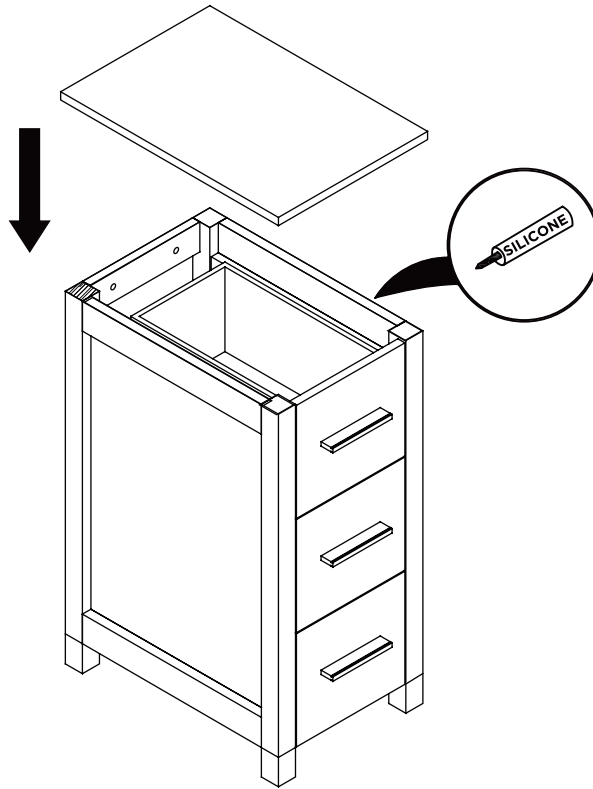
6 Remove side cabinet drawer

7 Install side cabinet



8

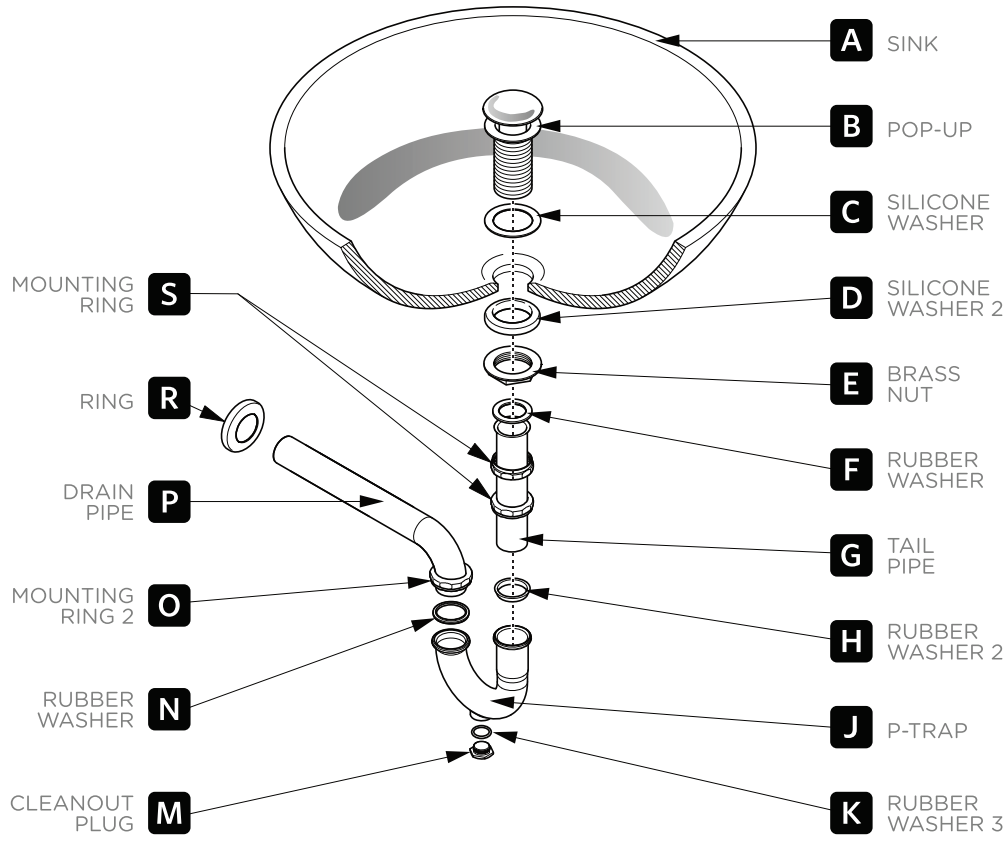
Install side cabinet top panel



P-TRAP & POP-UP

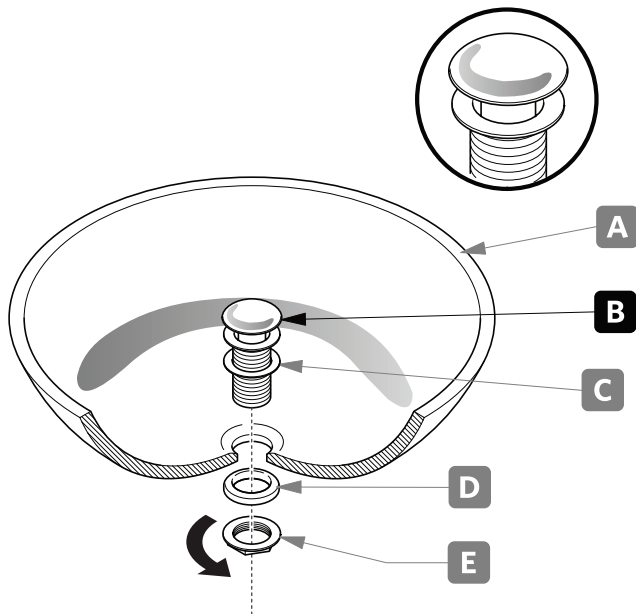
INSTALLATION INSTRUCTIONS

Your item may appear slightly different from the illustration.



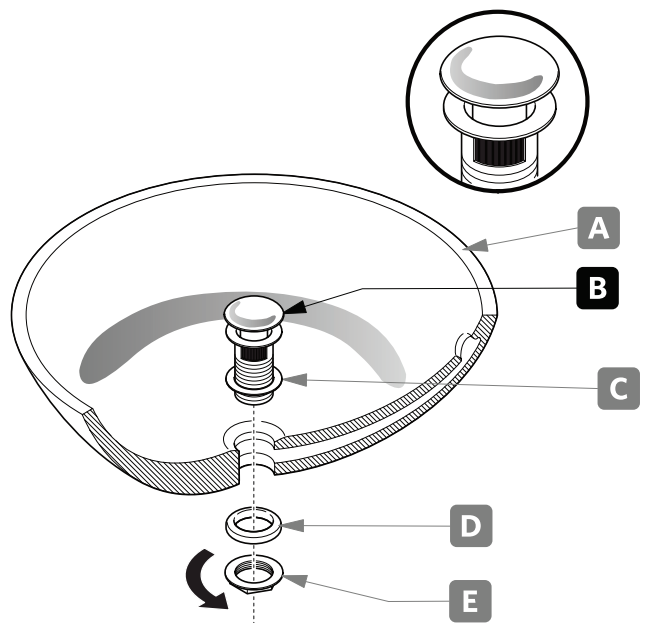
POP-UP INSTALLATION

FOR SINKS WITHOUT OVERFLOW



OR

FOR SINKS WITH OVERFLOW



FVN62-122412-VSL

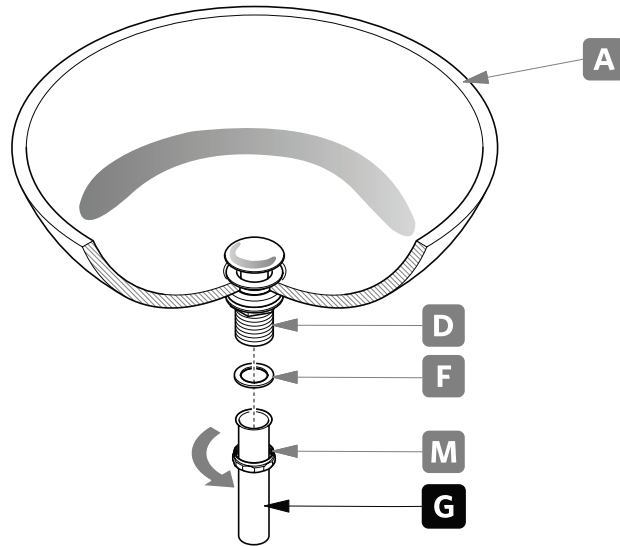
TORINO

INSTALLATION GUIDE

PAGE 6

P-TRAP INSTALLATION

1. Install tail pipe (**G**).



2. Install P-trap (**J**).

