



FVN6236-VSL TORINO

INSTALLATION GUIDE

CONTENTS:

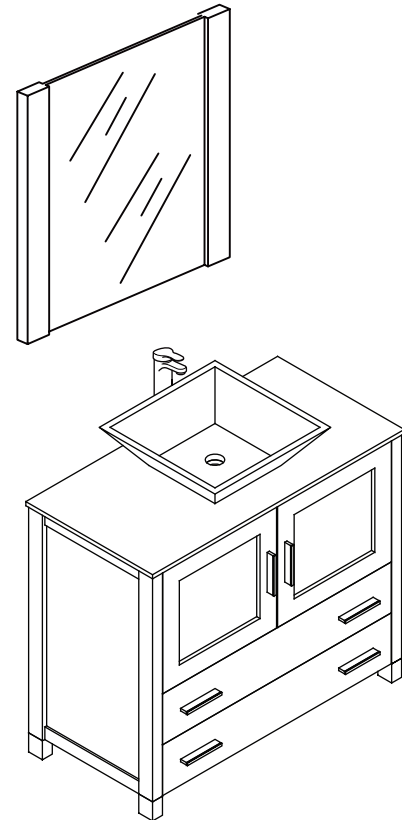
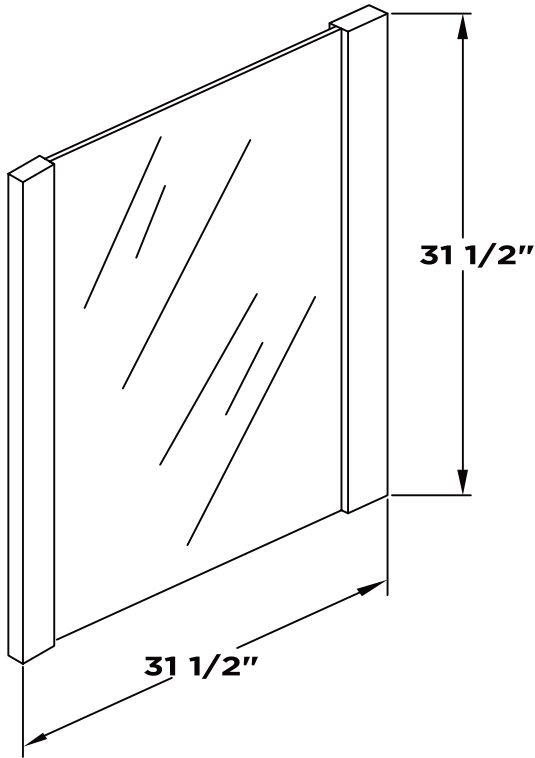
Cabinet.....	(FCB6236).....	PAGE 3
Sink.....	(FVS6217).....	PAGE 4
Mirror.....	(FMR6236).....	PAGE 2
Countertop.....	(FCT6236).....	PAGE 4



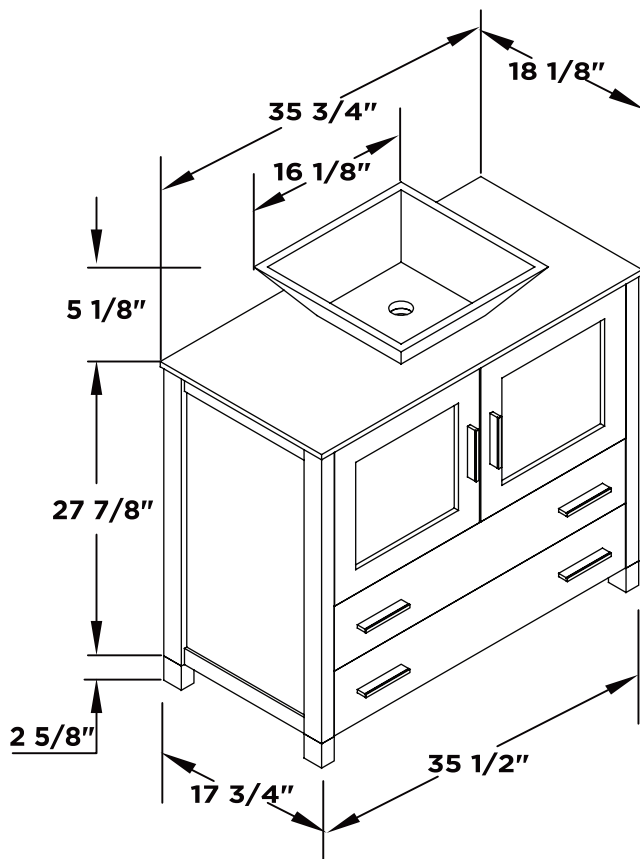
FVN6236-VSL
TORINO
INSTALLATION GUIDE



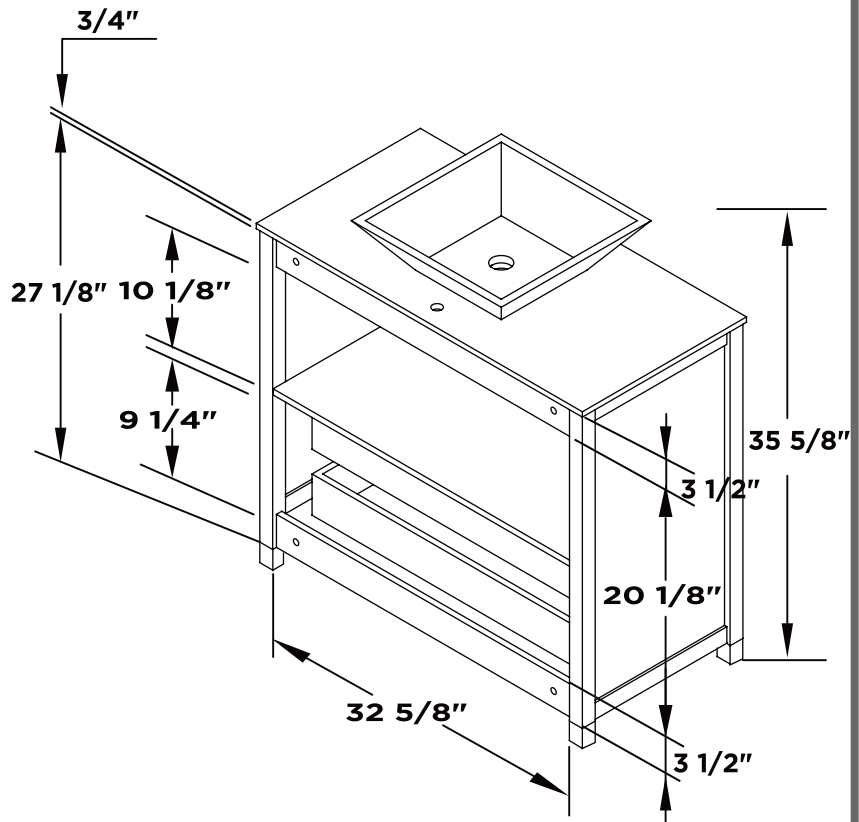
Mirror



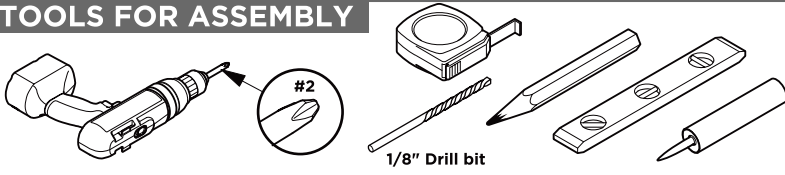
Vanity Front



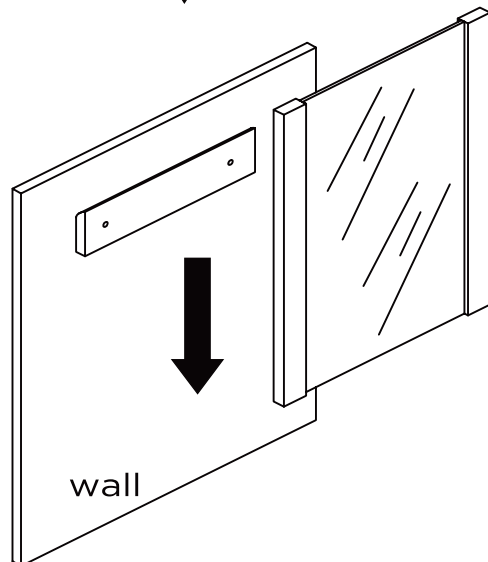
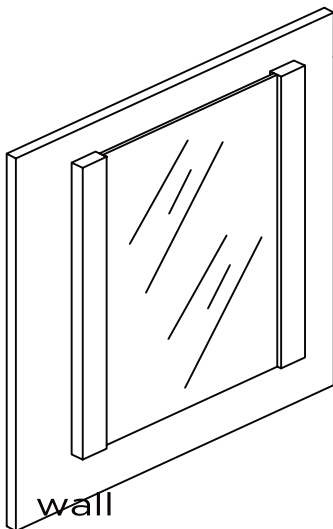
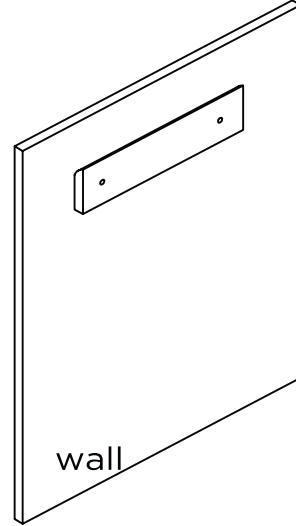
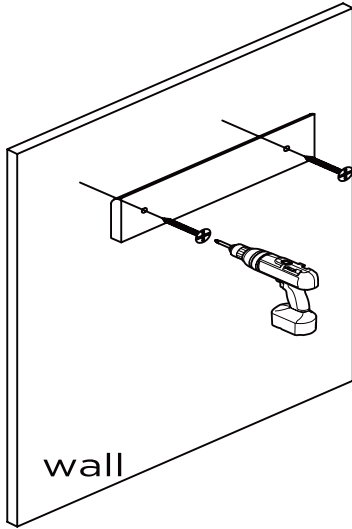
Vanity Back



TOOLS FOR ASSEMBLY

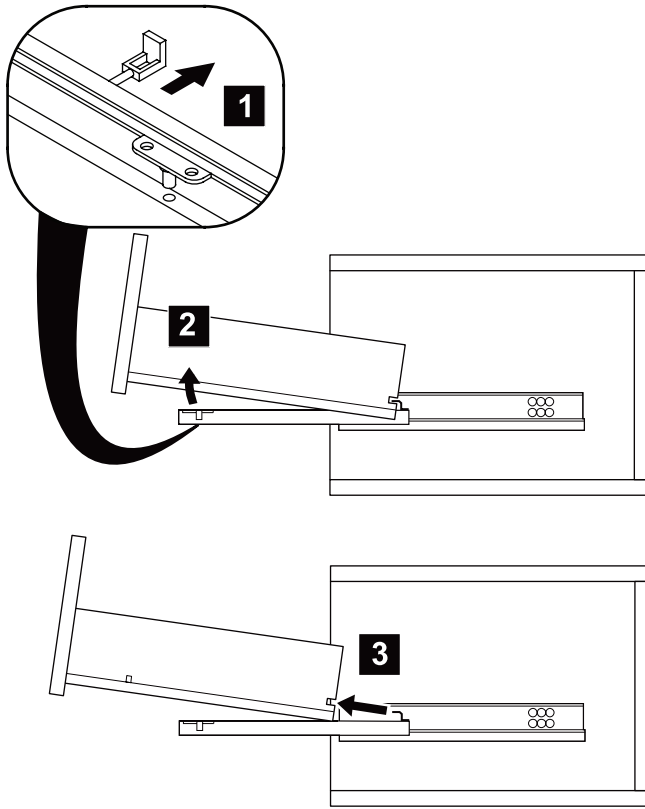


MIRROR INSTALLATION

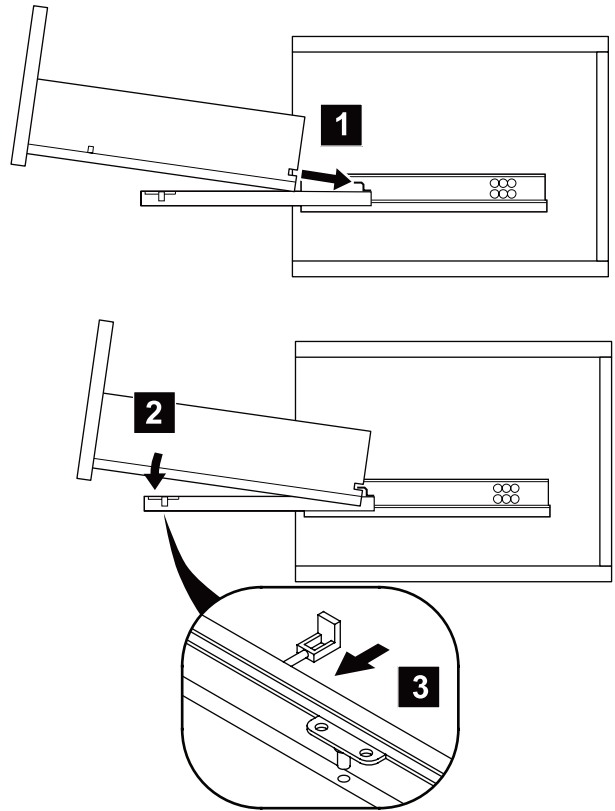


DRAWER REMOVAL & INSTALLATION

REMOVAL



INSTALLATION

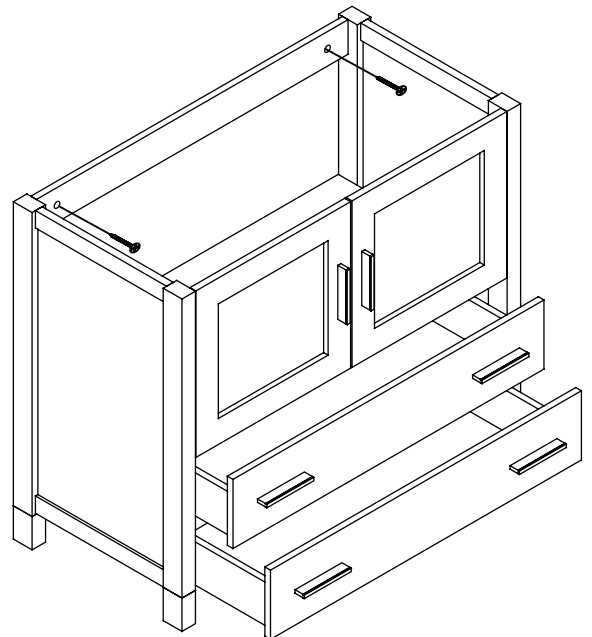
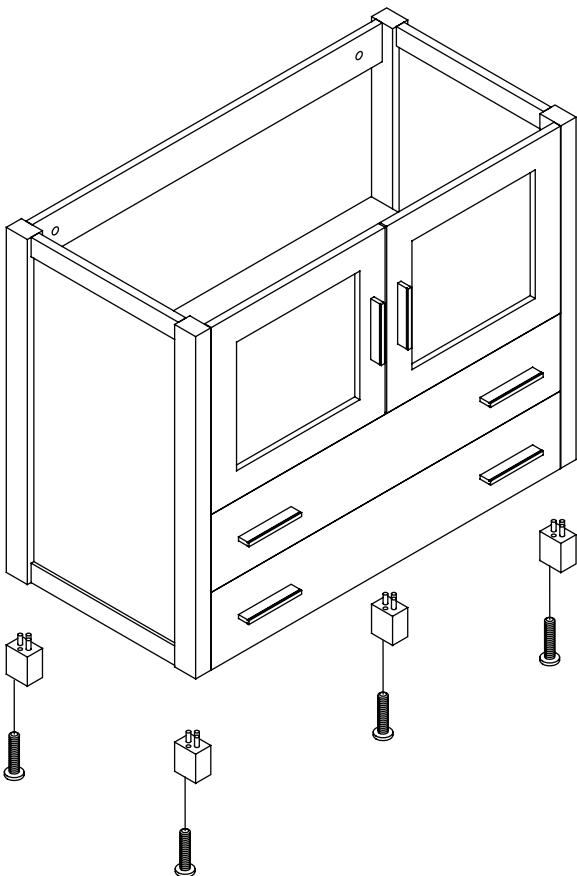


1 Install leg

2 Remove drawer

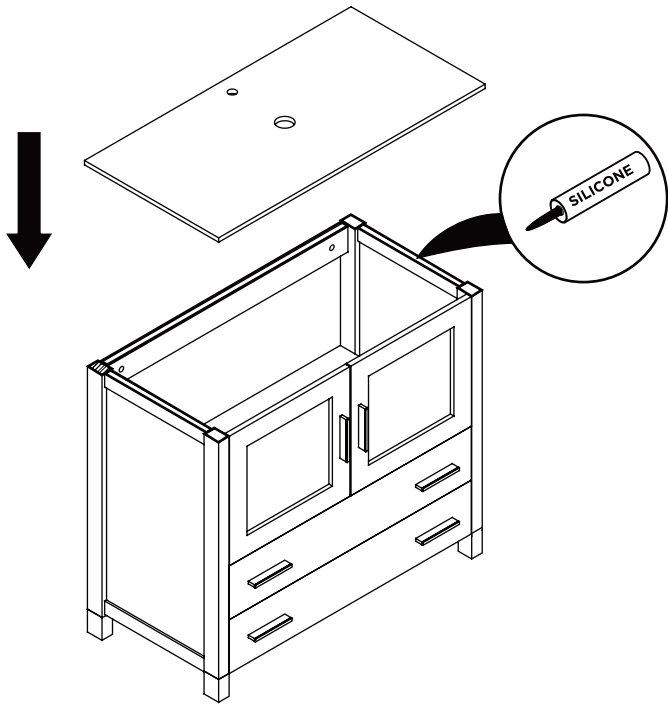
3 Install cabinet

IMPORTANT: Consult an expert for the proper screws/bolts to use when attaching to various wall constructions. Screws provided do not attach to all wall construction types.



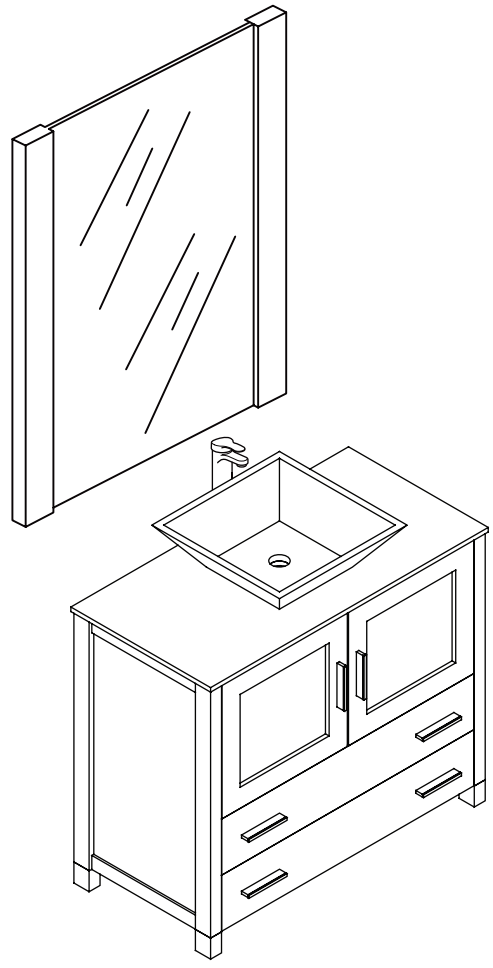
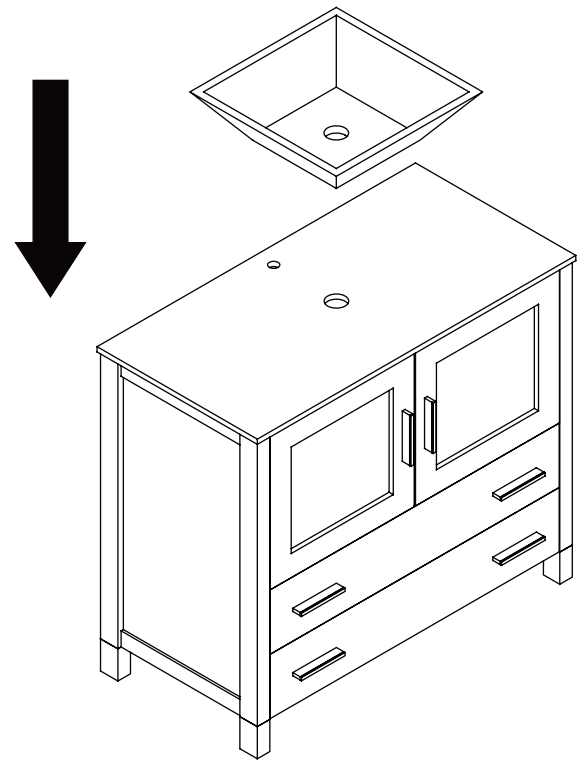
4

Install Top panel



5

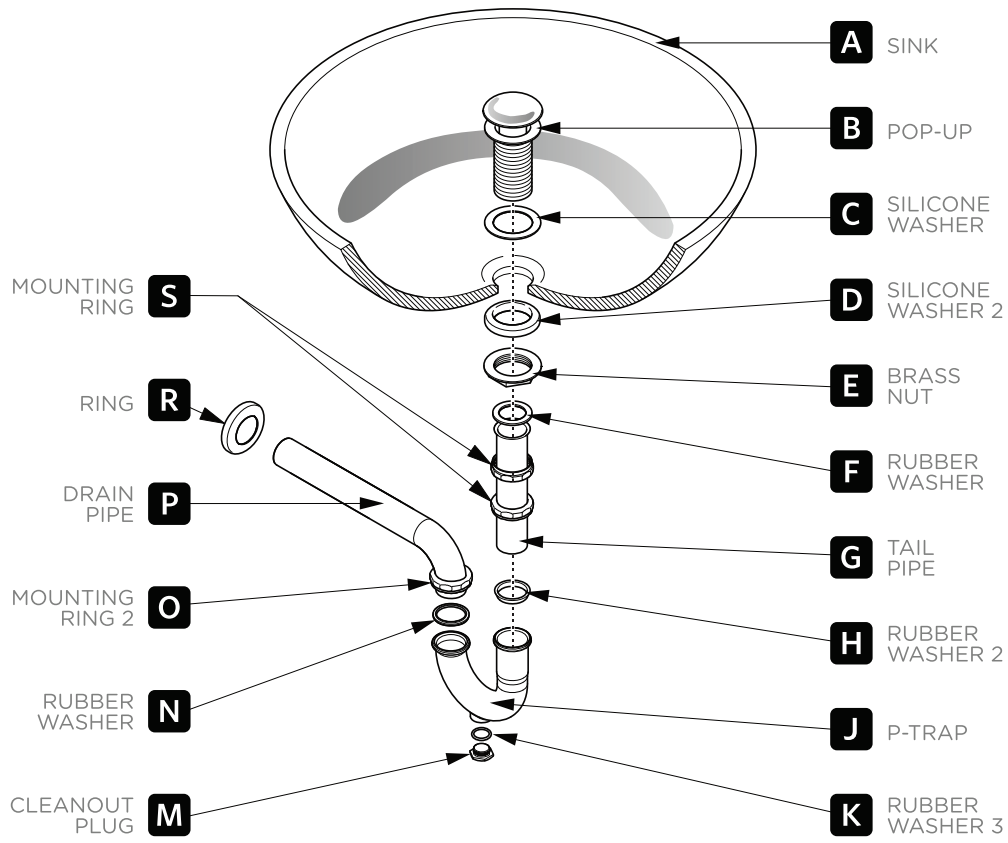
Install Sink



P-TRAP & POP-UP

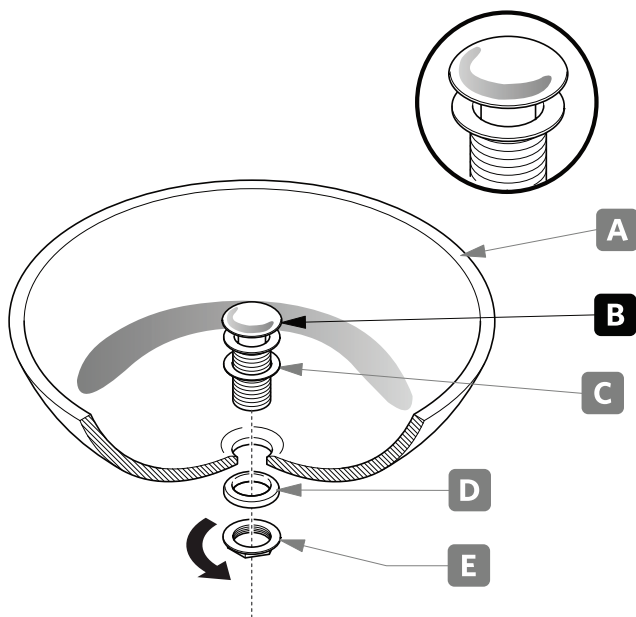
INSTALLATION INSTRUCTIONS

Your item may appear slightly different from the illustration.



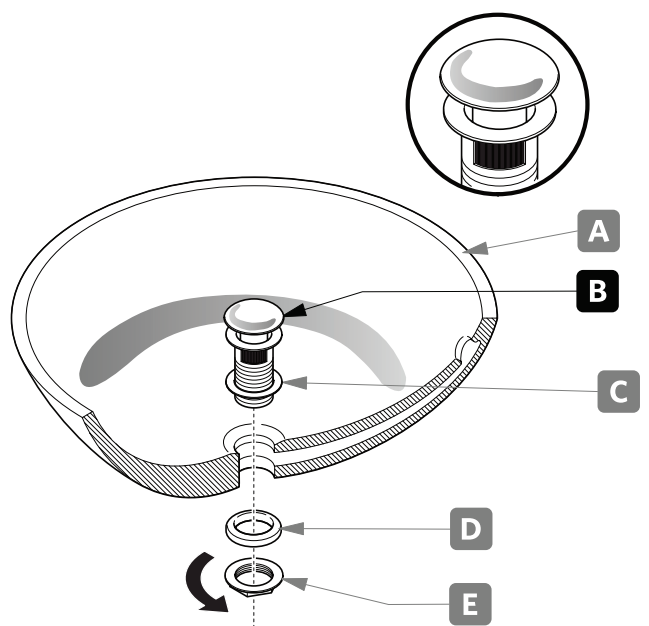
POP-UP INSTALLATION

FOR SINKS WITHOUT OVERFLOW



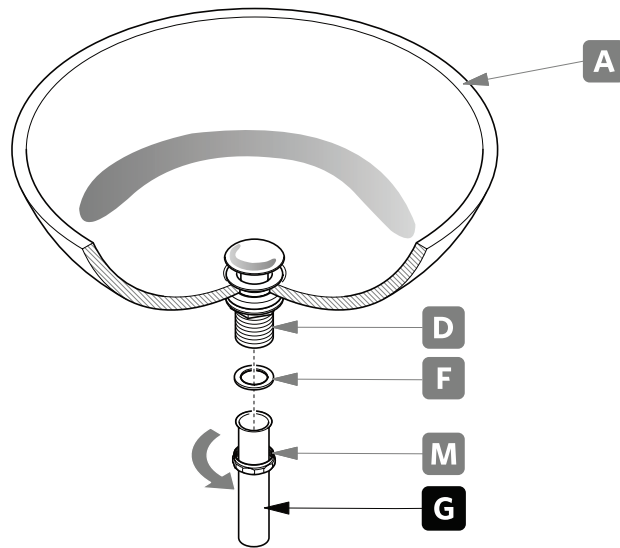
OR

FOR SINKS WITH OVERFLOW



P-TRAP INSTALLATION

1. Install tail pipe (**G**).



2. Install P-trap (**J**).

