



**FVN7716**

# MOSELLE

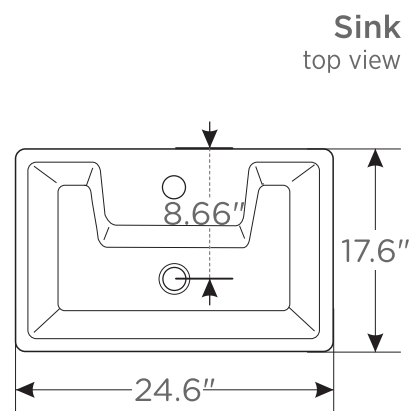
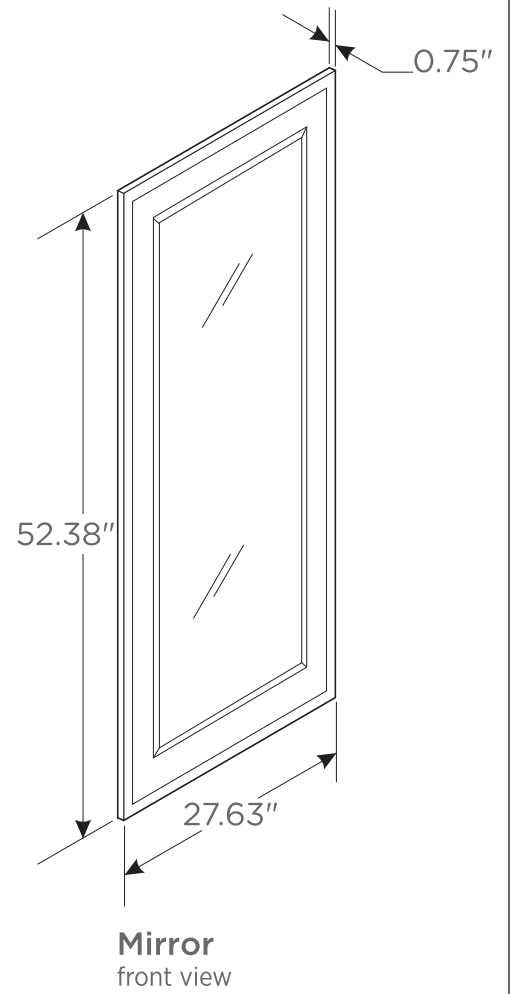
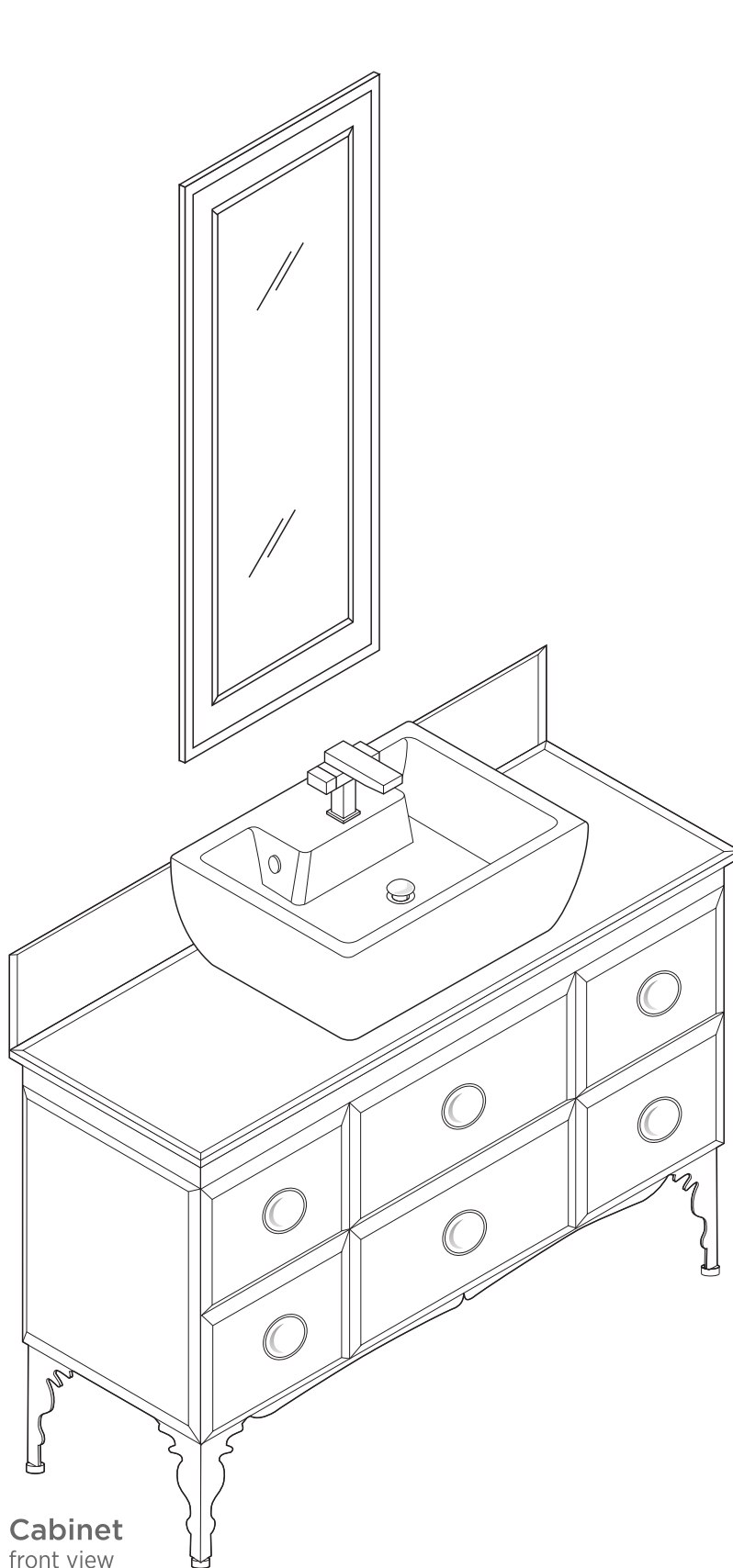
## INSTALLATION GUIDE

### CONTENTS:

Cabinet.....	(FCB7716).....	PAGE 4
Sink.....	(FVS7712).....	PAGE 4
Mirror.....	(FMR7716).....	PAGE 2

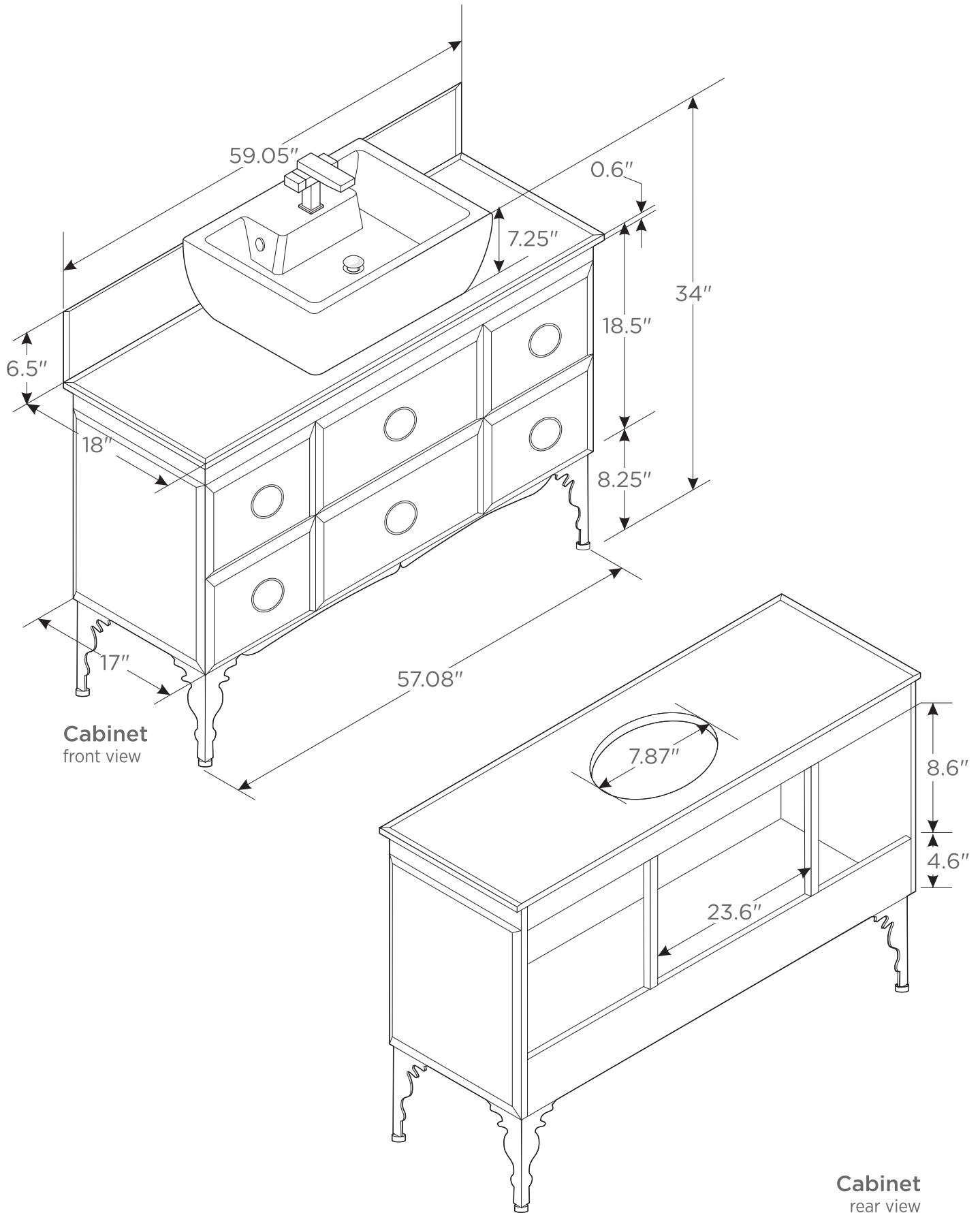


# FVN7716 MOSELLE INSTALLATION GUIDE



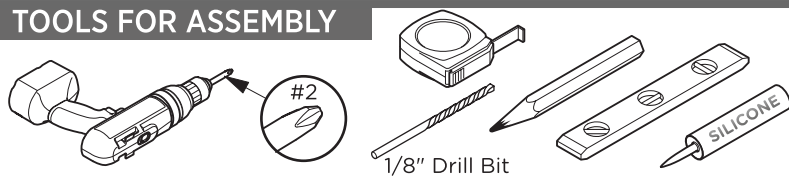
**NOTE:** ALL DIMENSIONS & SPECIFICATIONS ARE APPROXIMATE AND SUBJECT TO CHANGE WITHOUT NOTICE.

# DIMENSIONS

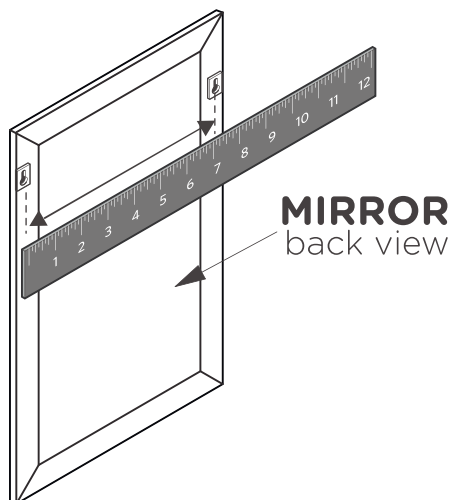


NOTE: ALL DIMENSIONS & SPECIFICATIONS ARE APPROXIMATE AND SUBJECT TO CHANGE WITHOUT NOTICE.

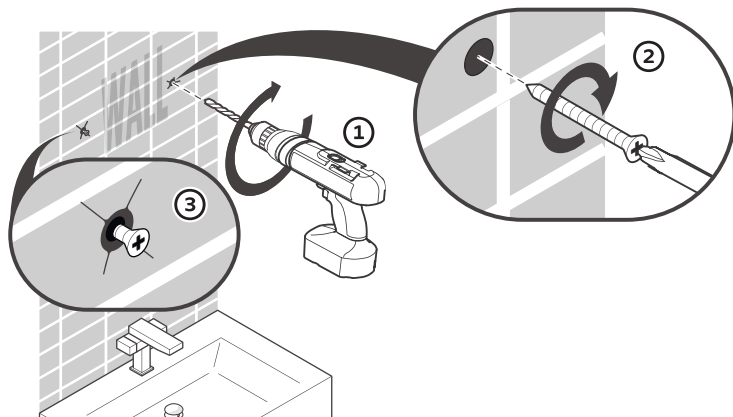
## TOOLS FOR ASSEMBLY



- 1 Measure the distance between the brackets on the back of the mirror



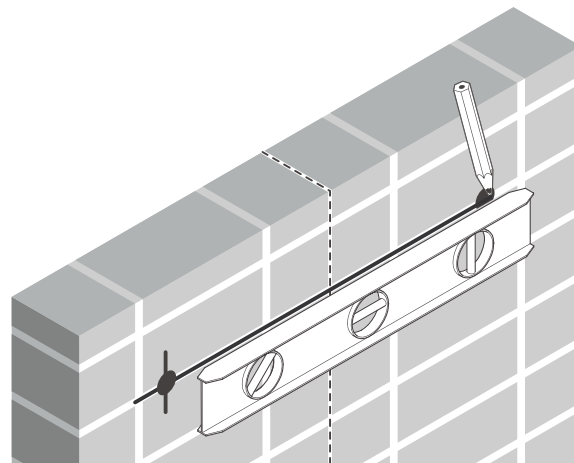
- 3 Once position is marked, drill 2 holes and insert anchors if stud is not available



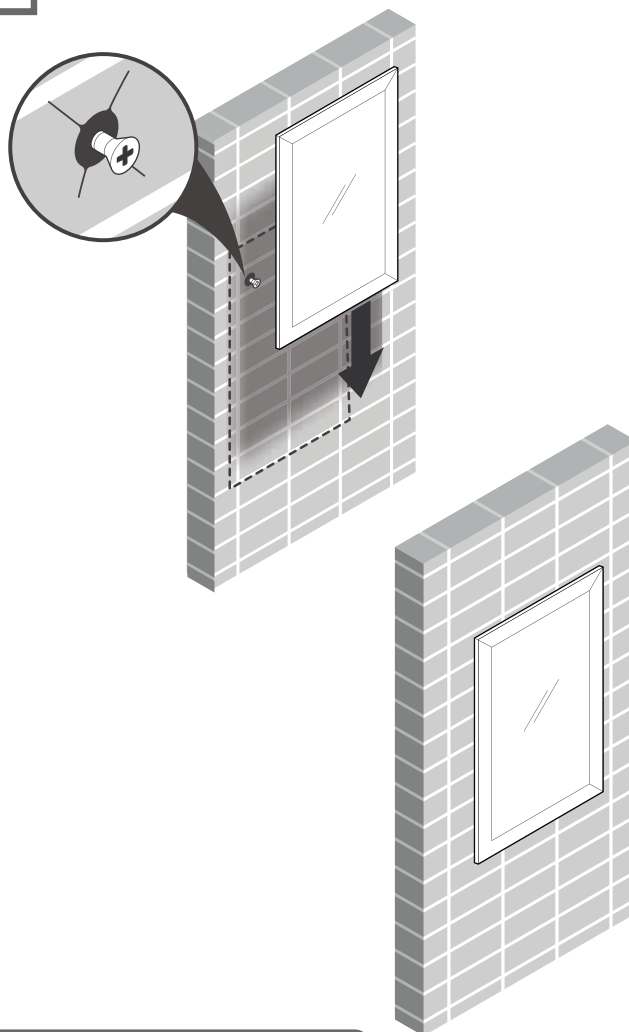
**NOTE:** Consult an expert for the proper screws/bolts to use when attaching to various constructions. Screws provided do not attach to all wall construction types.

## MIRROR INSTALLATION

- 2 Mark the measured distance on the wall using a level



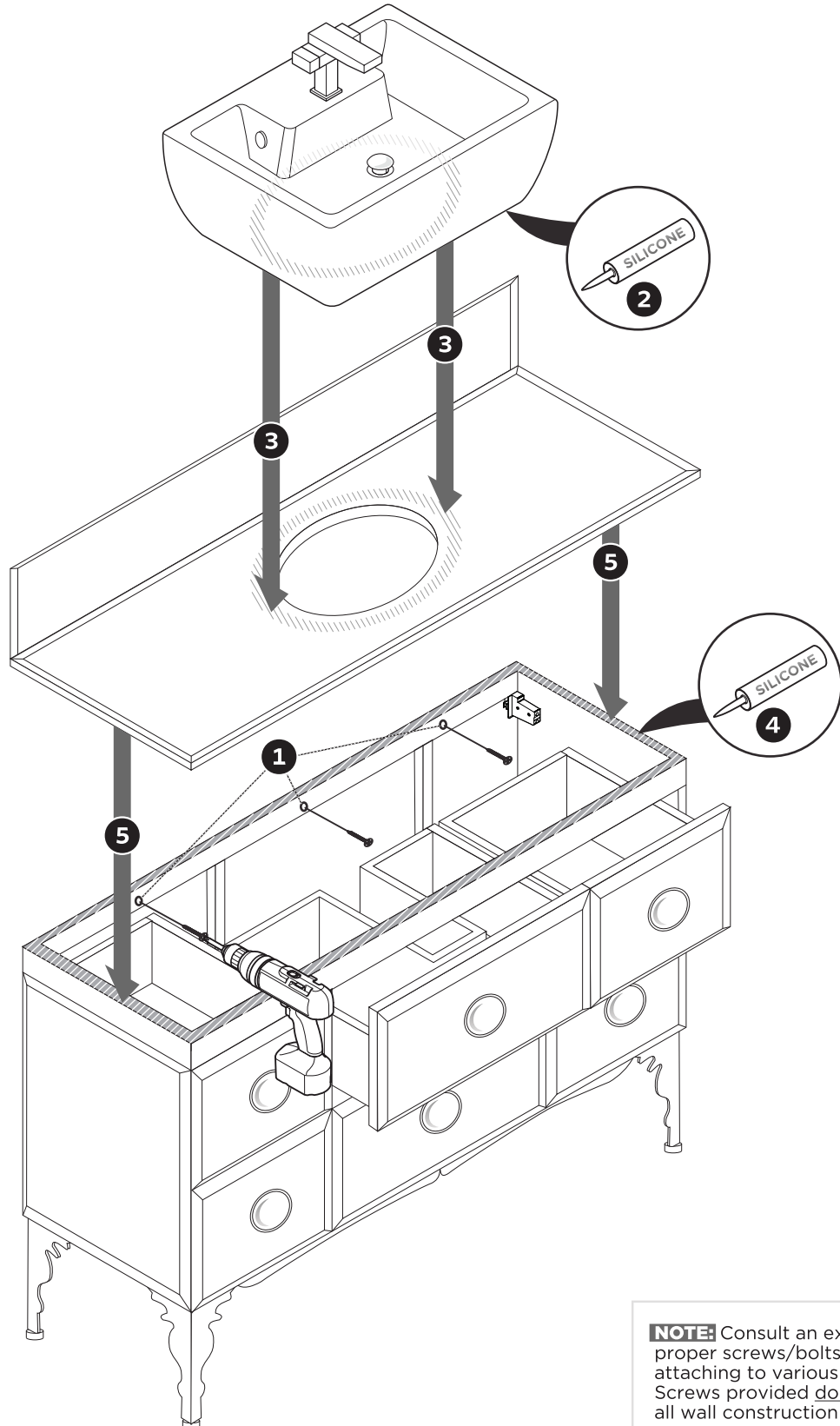
- 4 Hang mirror on the wall



# VANITY INSTALLATION

**1** Connect the cabinet to the wall

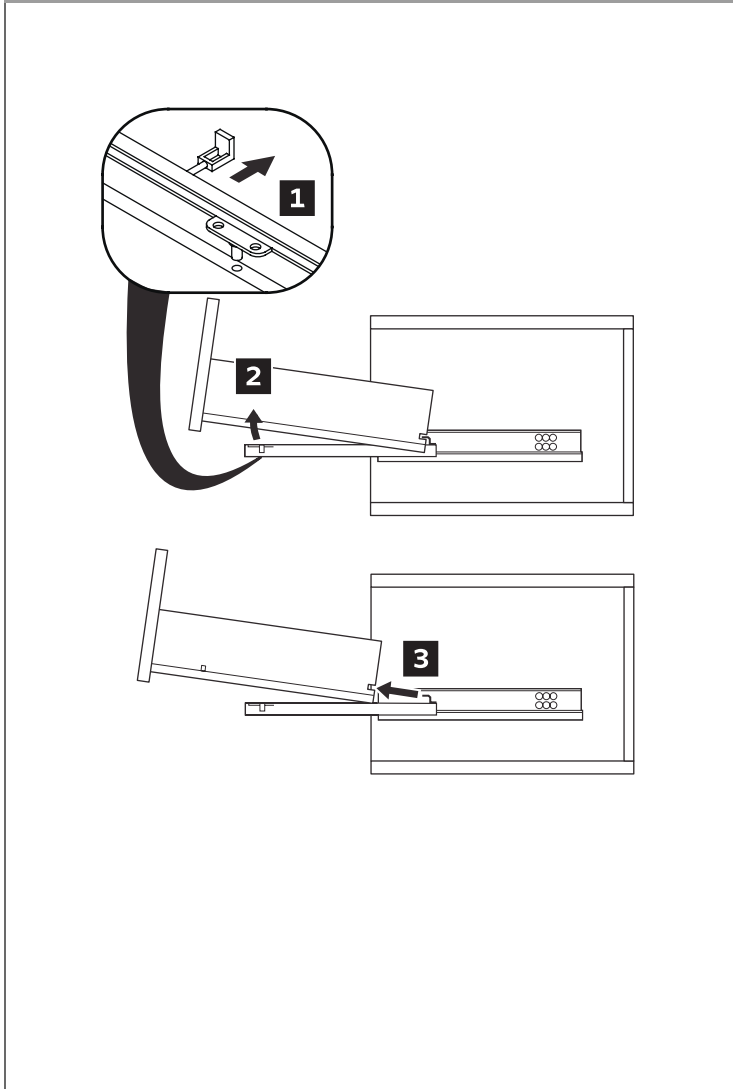
**2** Apply a bead of silicone on the top of the cabinet and place countertop on it. Apply silicone on the bottom of the sink and place the sink on the countertop.



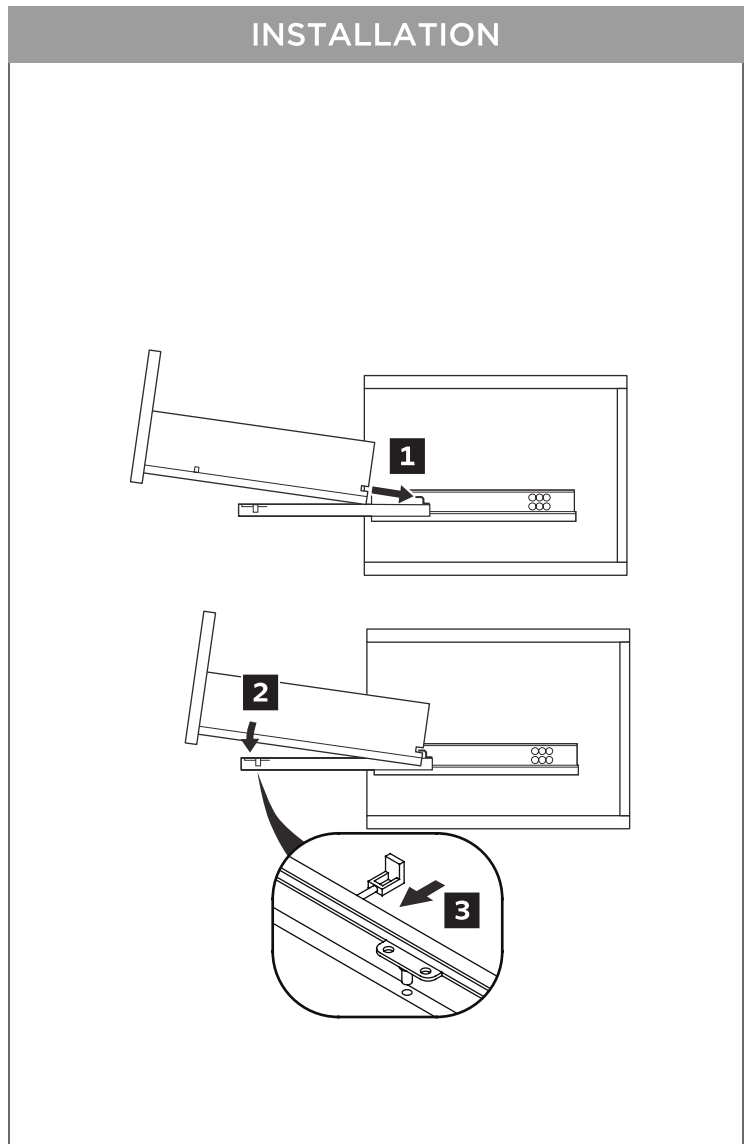
**NOTE:** Consult an expert for the proper screws/bolts to use when attaching to various constructions. Screws provided do not attach to all wall construction types.

# DRAWER REMOVAL & INSTALLATION

## REMOVAL



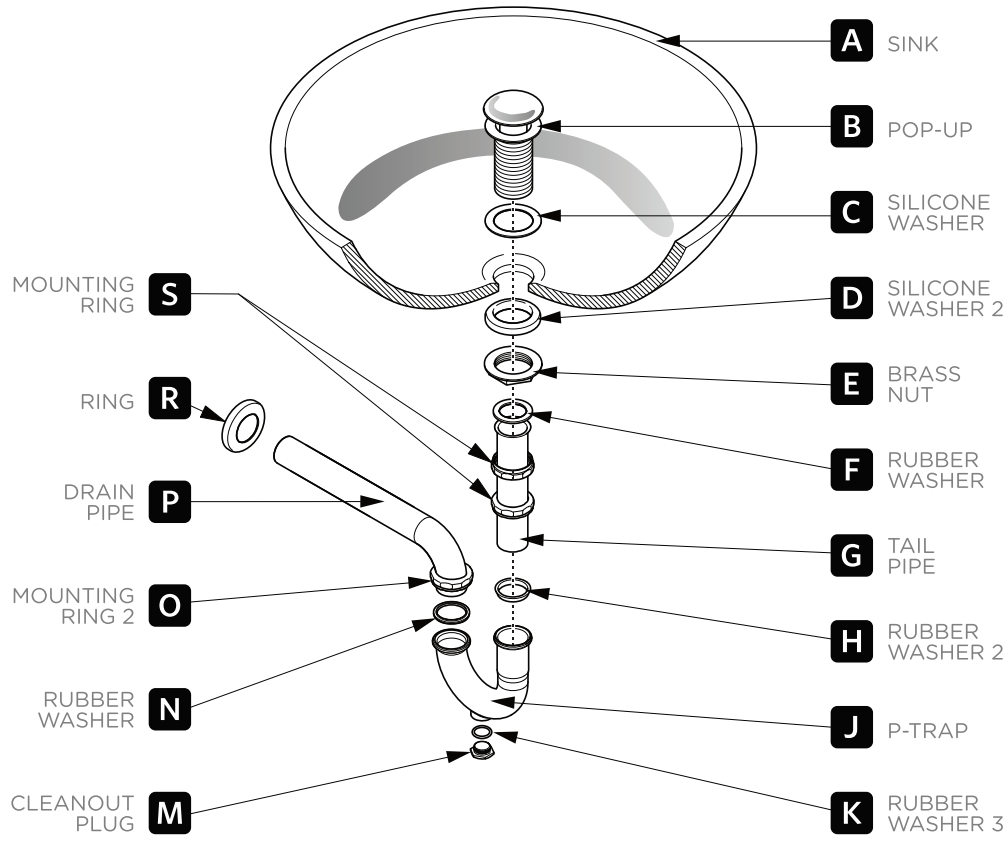
## INSTALLATION



# P-TRAP & POP-UP

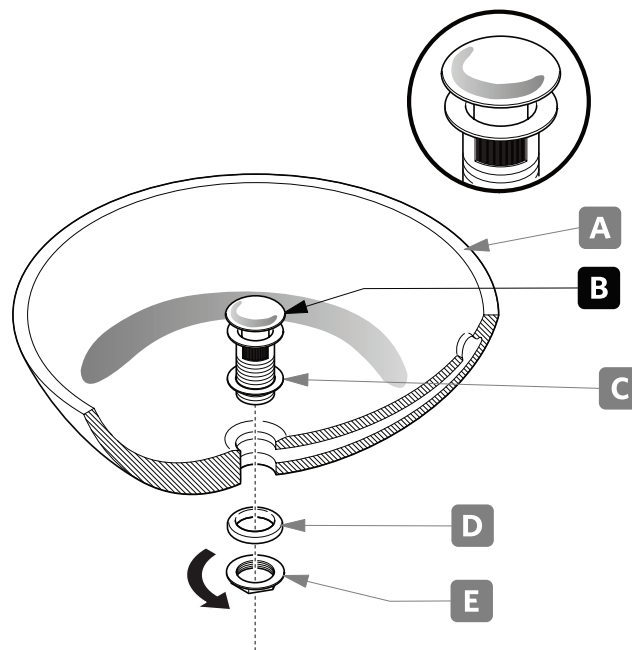
## INSTALLATION INSTRUCTIONS

Your item may appear slightly different from the illustration.



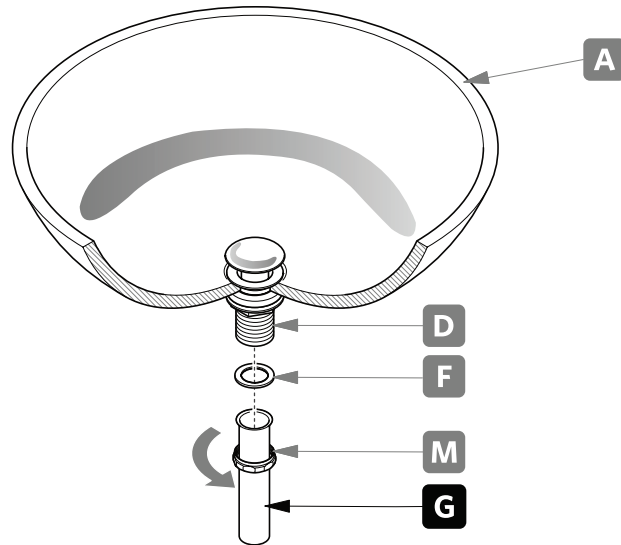
## POP-UP INSTALLATION

FOR SINKS  
WITH OVERFLOW



# P-TRAP INSTALLATION

**1** Install tail pipe (G).



**2** Install P-trap (J).

