



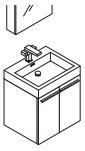
FVN8058

ALTO

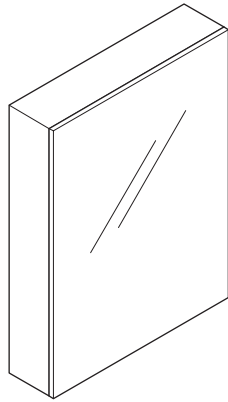
INSTALLATION GUIDE

CONTENTS:

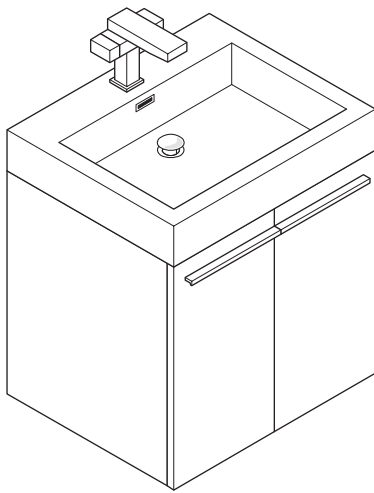
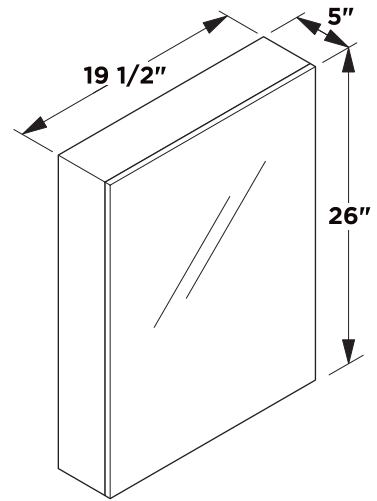
Cabinet.....(FCB8058).....	PAGE 3
Sink.....(FVS8058).....	PAGE 3
Medicine Cabinet (FMC8058).....	PAGE 4



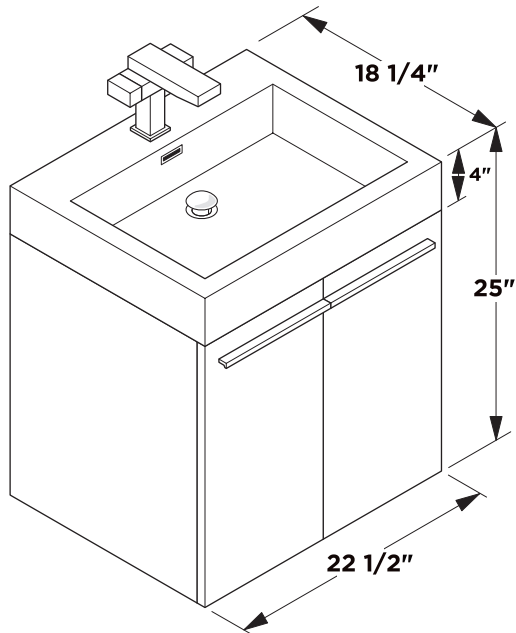
FVN8058 ALTO INSTALLATION GUIDE



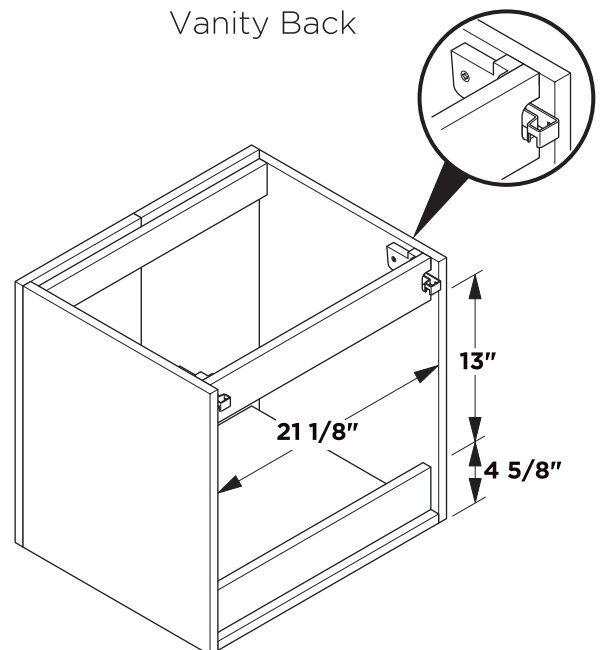
Medicine Cabinet



Vanity Front

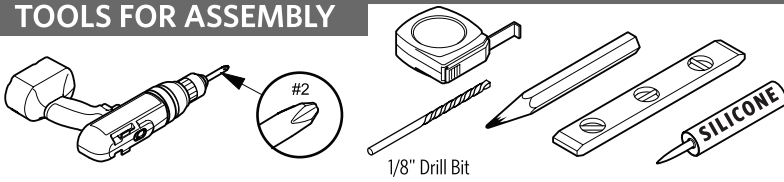


Vanity Back

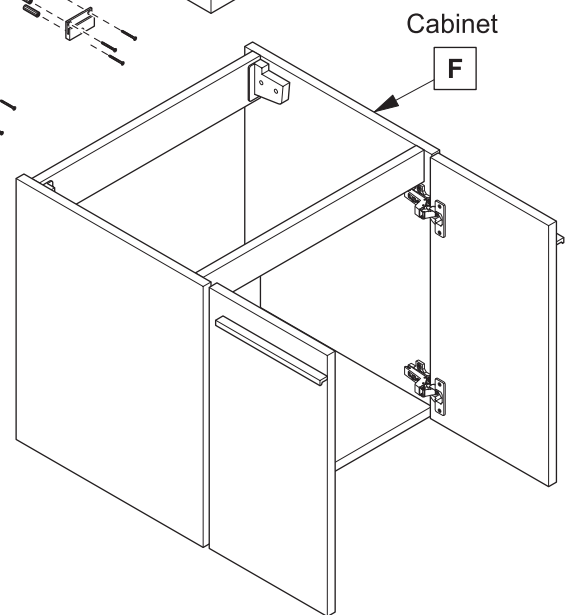
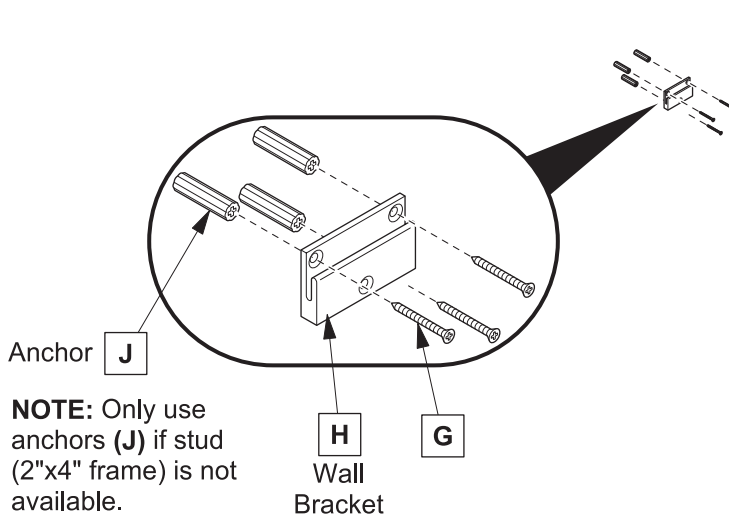
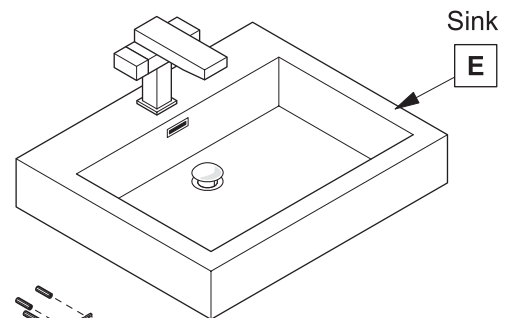
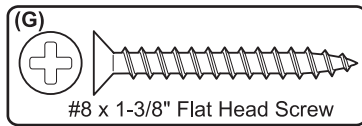
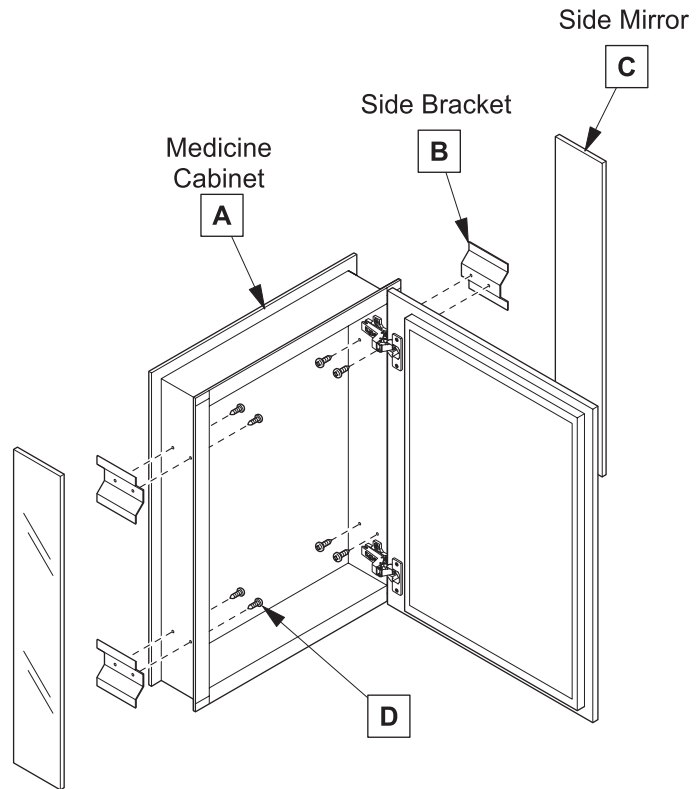
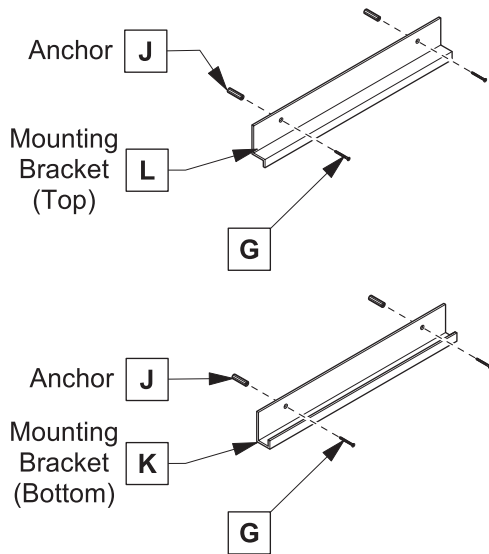


NOTE: ALL DIMENSIONS & SPECIFICATIONS ARE APPROXIMATE AND SUBJECT TO CHANGE WITHOUT NOTICE.

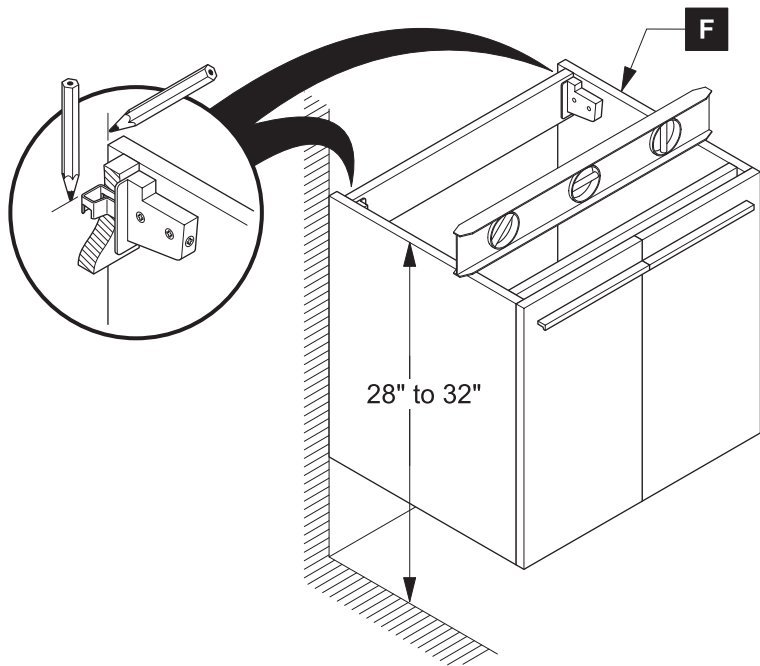
TOOLS FOR ASSEMBLY



PARTS

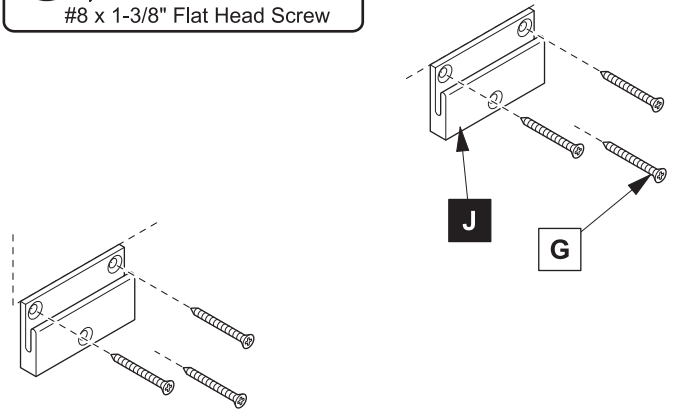
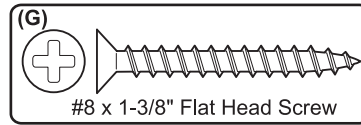


1 Locate cabinet (C) & mark location

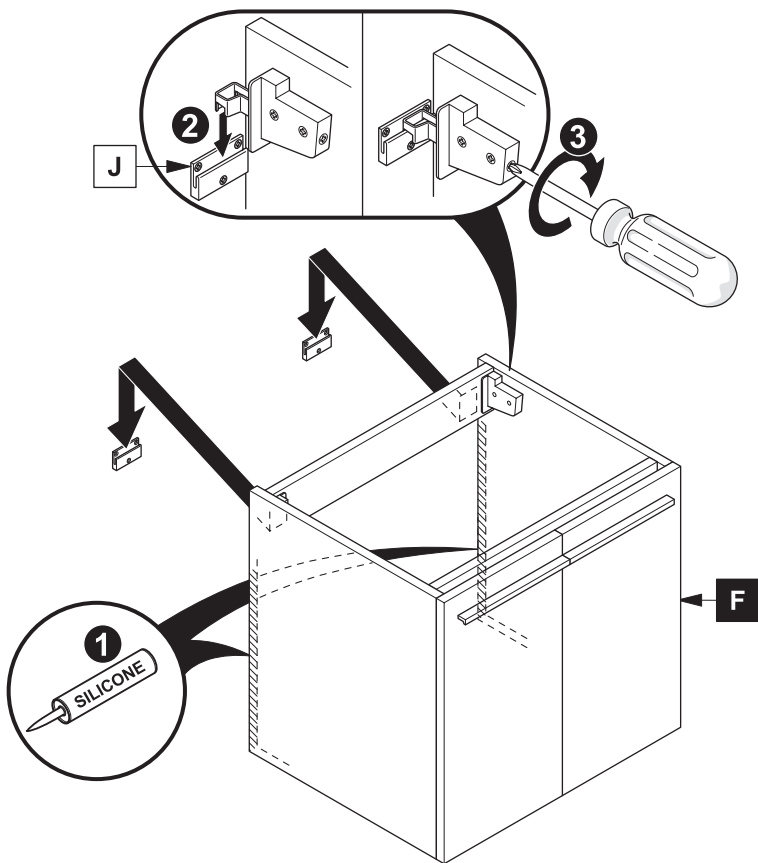


2 Install wall brackets (J)

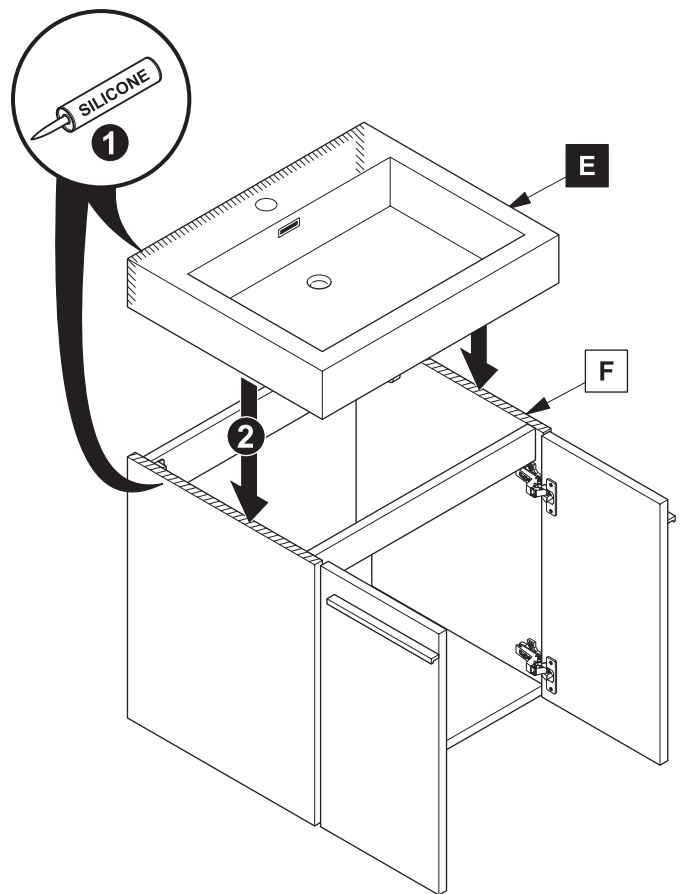
IMPORTANT: Consult an expert for the proper screws/bolts to use when attaching to various wall constructions. Screws provided do not attach to all wall construction types.



3 Apply silicone and install cabinet (F)

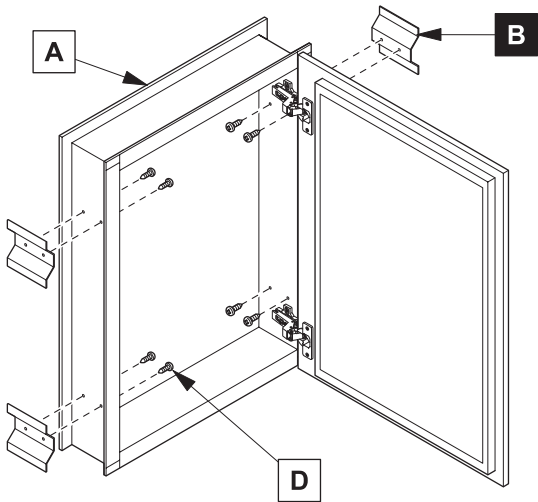


4 Apply silicone and install sink (E)

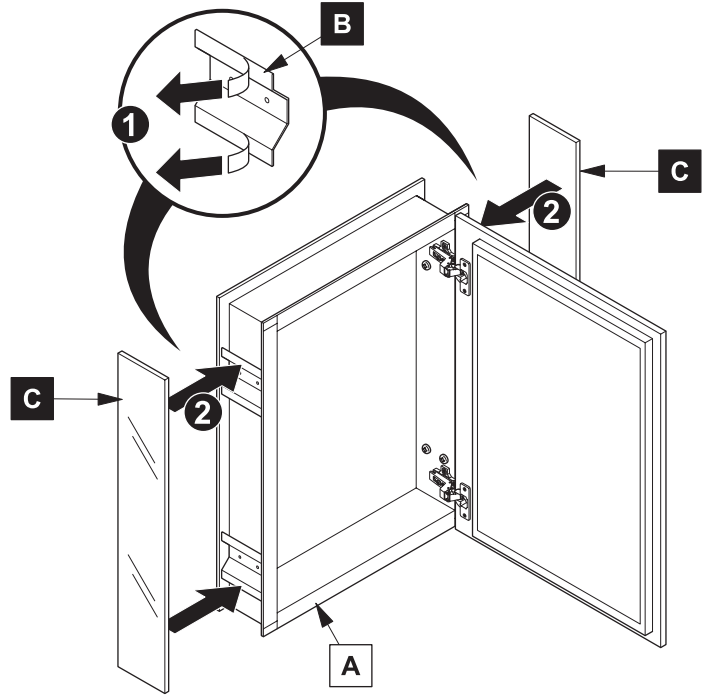


MEDICINE CABINET INSTALLATION

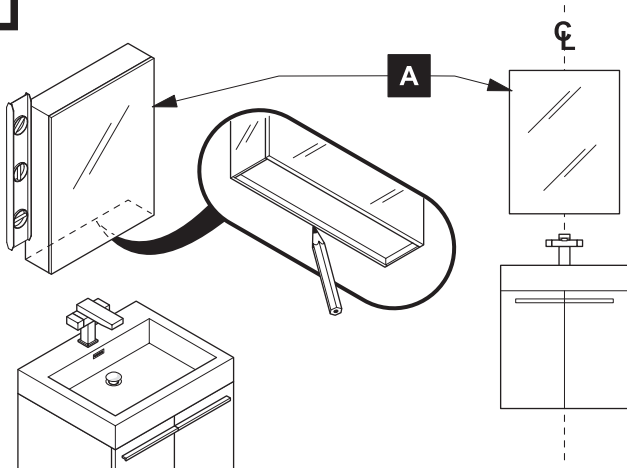
1 Install side brackets (B)



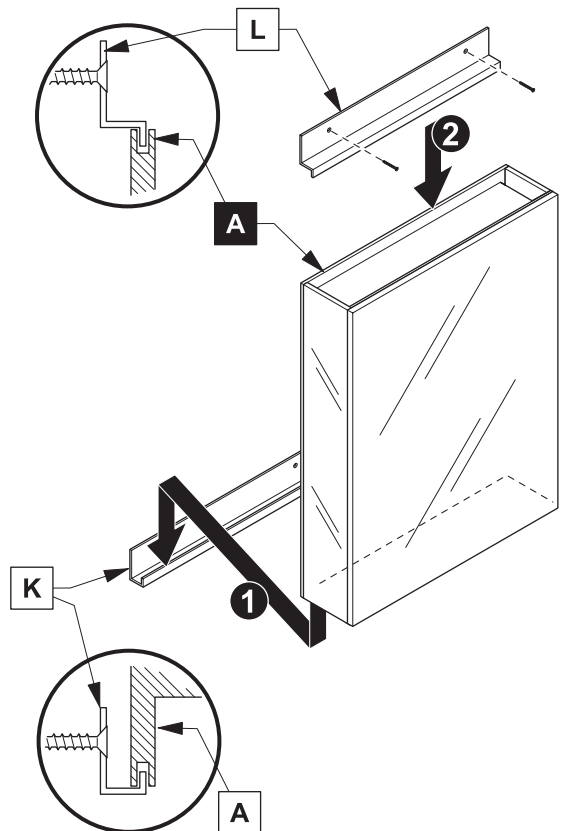
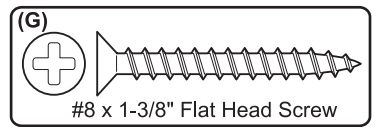
2 Install side mirrors (C)



3 Mark cabinet (A) location

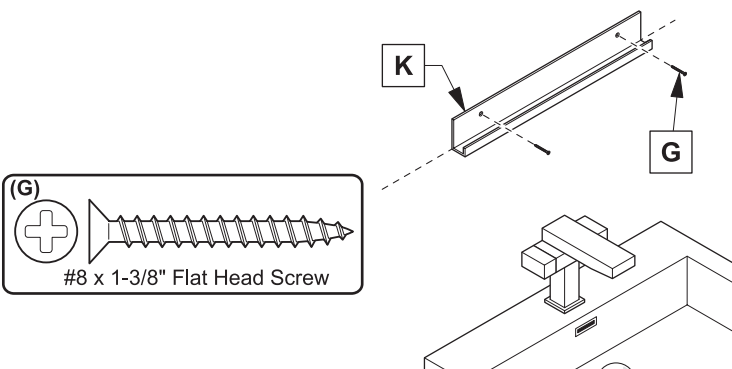


5 Install cabinet (A)



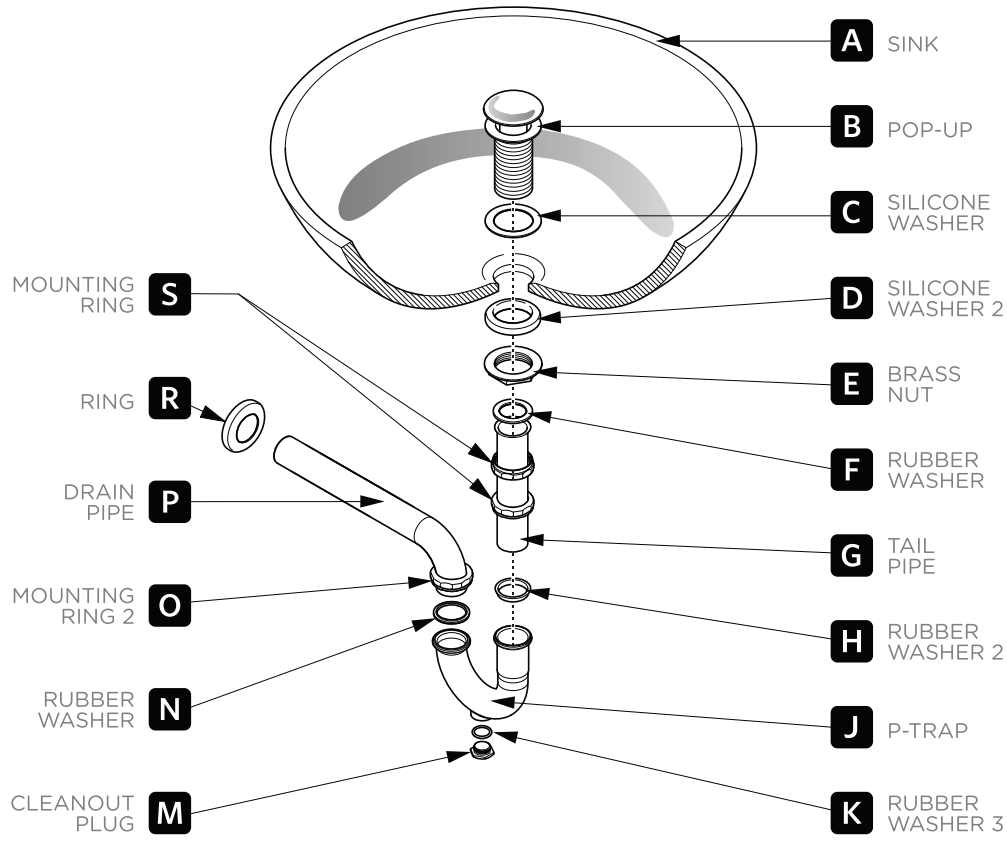
4 Install bottom bracket (K)

NOTE: Consult an expert for the proper screws/bolts to use when attaching to various constructions. Screws provided **do not** attach to all wall construction types.



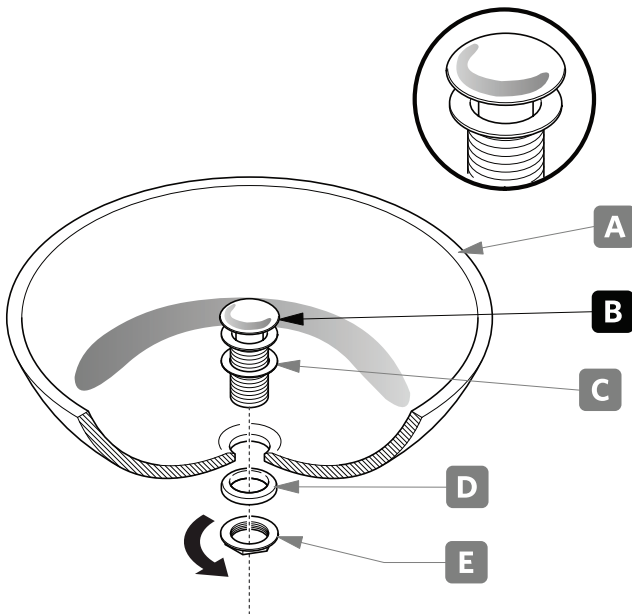
P-TRAP & POP-UP INSTALLATION INSTRUCTIONS

Your item may appear slightly different from the illustration.



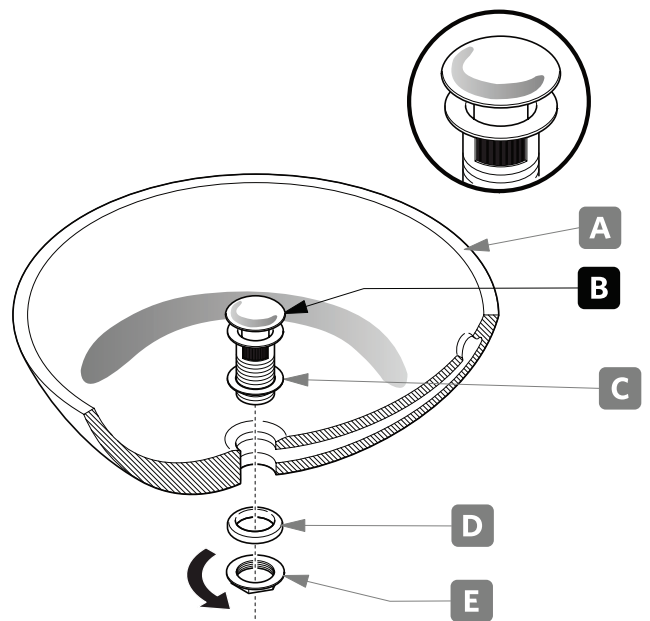
POP-UP INSTALLATION

**FOR SINKS
WITHOUT OVERFLOW**



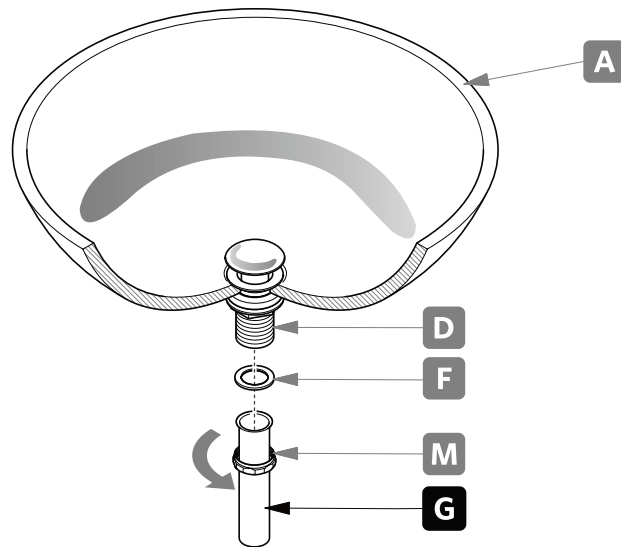
OR

**FOR SINKS
WITH OVERFLOW**



P-TRAP INSTALLATION

1. Install tail pipe **(G)**.



2. Install P-trap **(J)**.

