



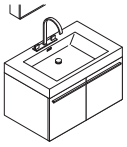
# FVN8090

# VISTA

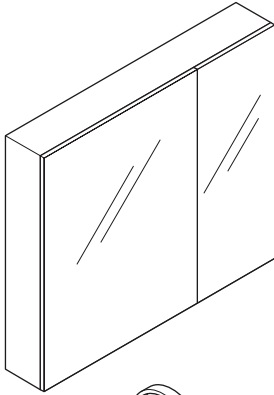
## INSTALLATION GUIDE

### CONTENTS:

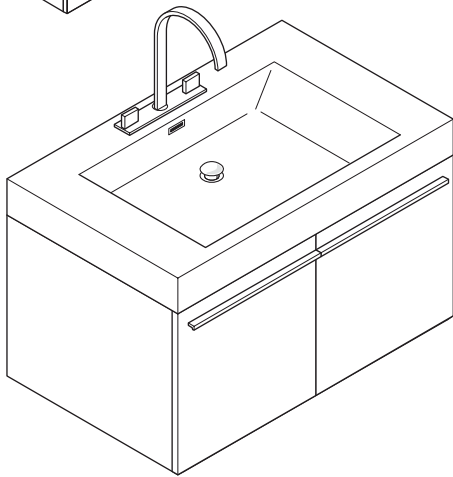
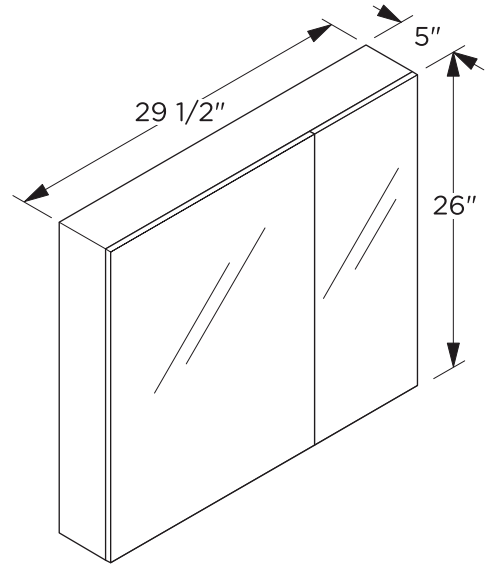
Cabinet.....(FCB8090).....	PAGE <b>3</b>
Sink.....(FVS81090).....	PAGE <b>3</b>
Med. Cabinet.....(FMC8090).....	PAGE <b>4</b>



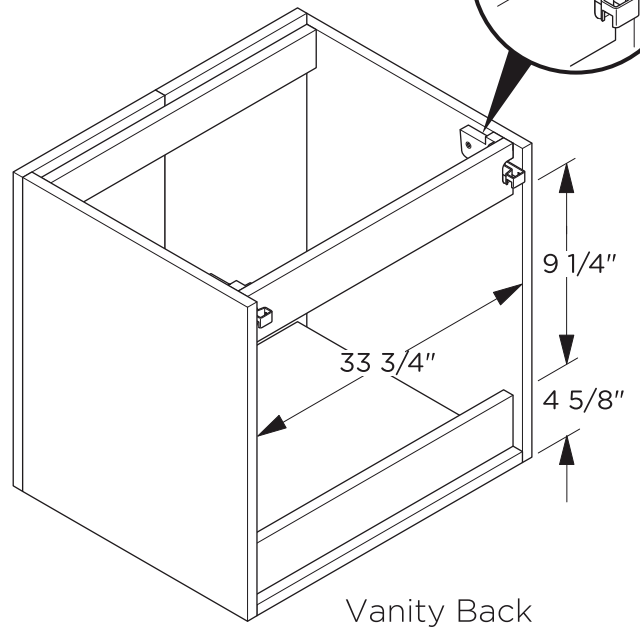
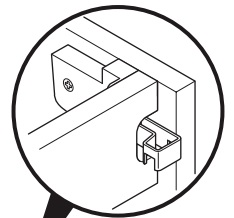
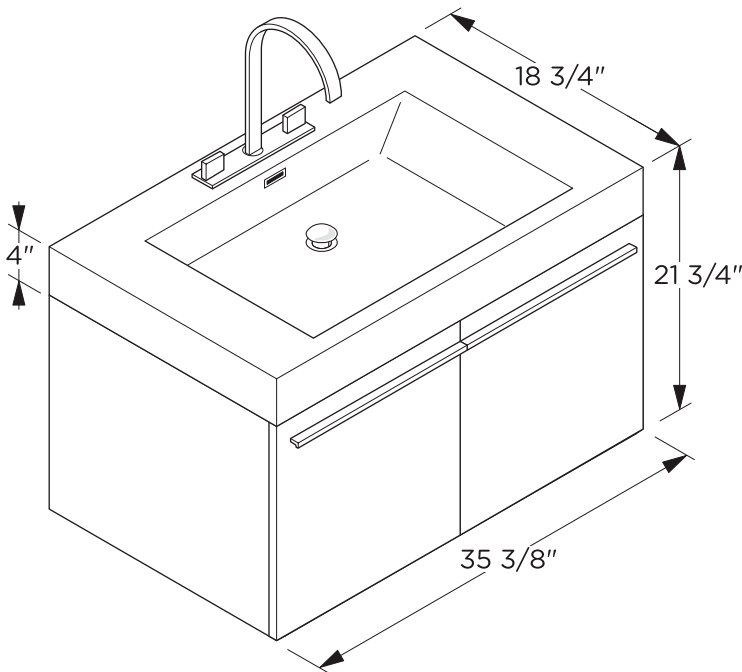
# FVN8090 VISTA INSTALLATION GUIDE



Medicine Cabinet



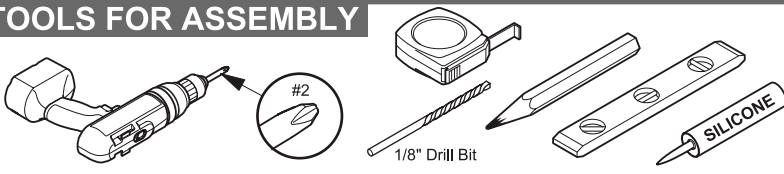
Vanity Front



Vanity Back

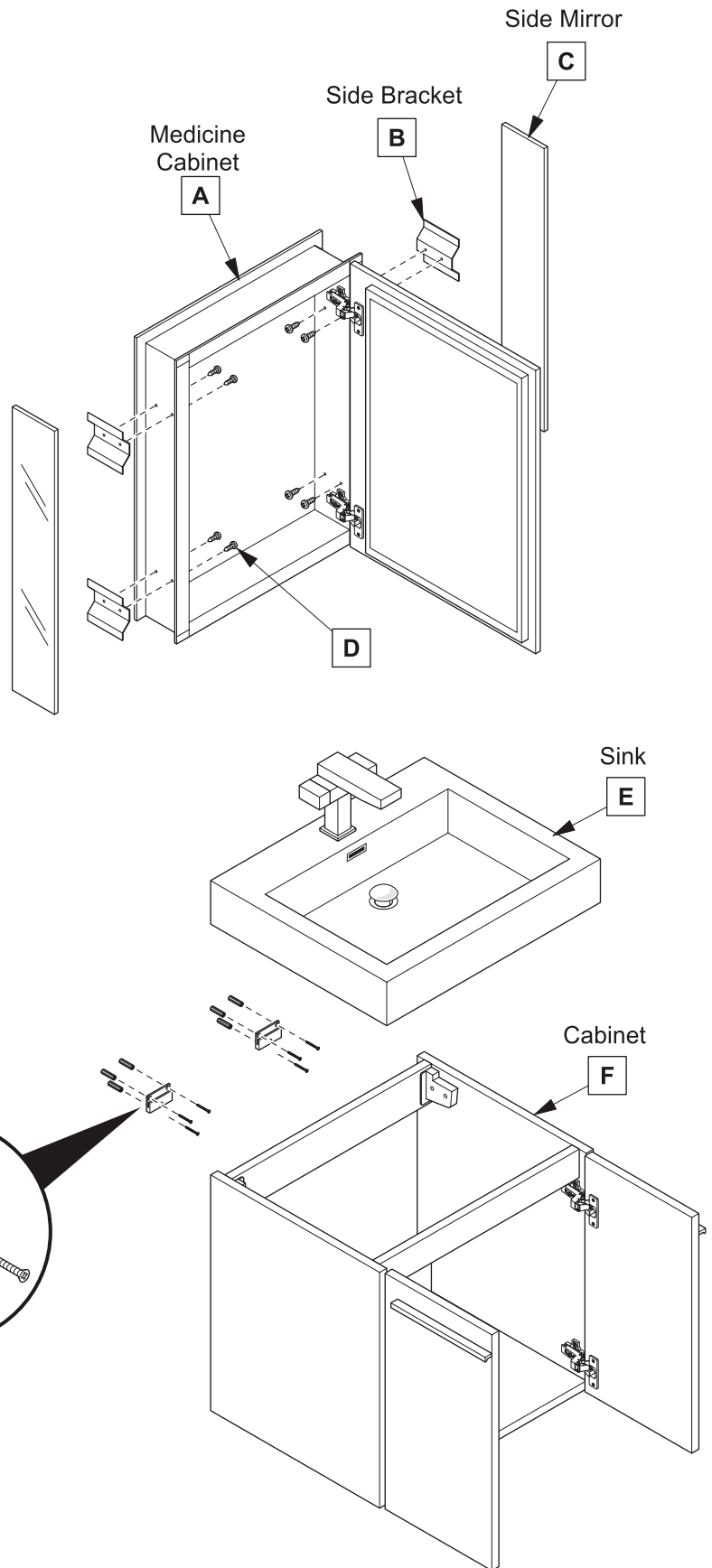
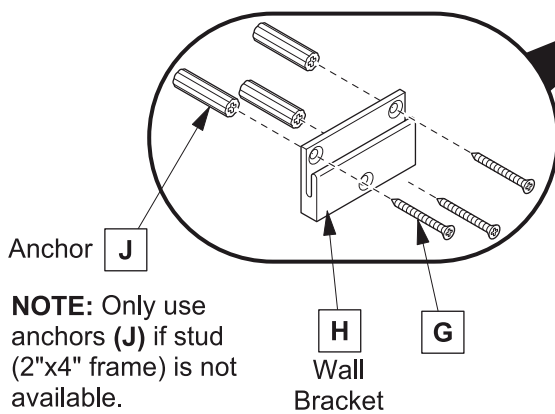
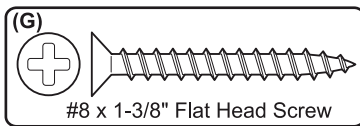
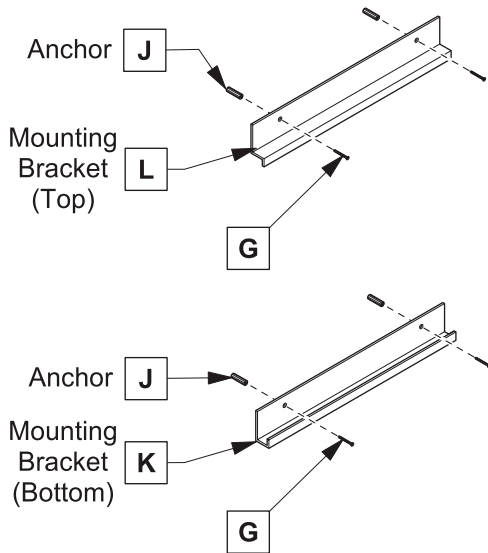
**NOTE:** ALL DIMENSIONS & SPECIFICATIONS ARE APPROXIMATE AND SUBJECT TO CHANGE WITHOUT NOTICE.

## TOOLS FOR ASSEMBLY

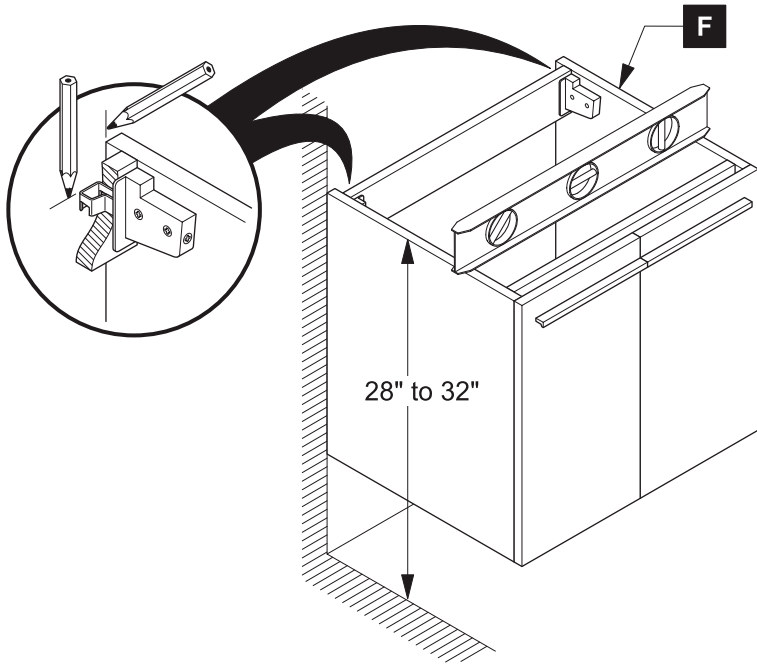


## PARTS

### PARTS

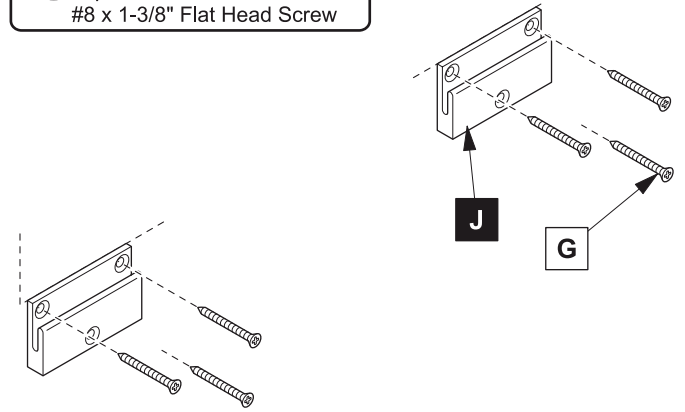
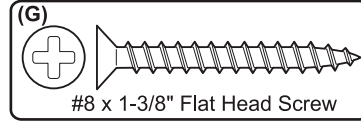


# 1 Locate cabinet (C) & mark location

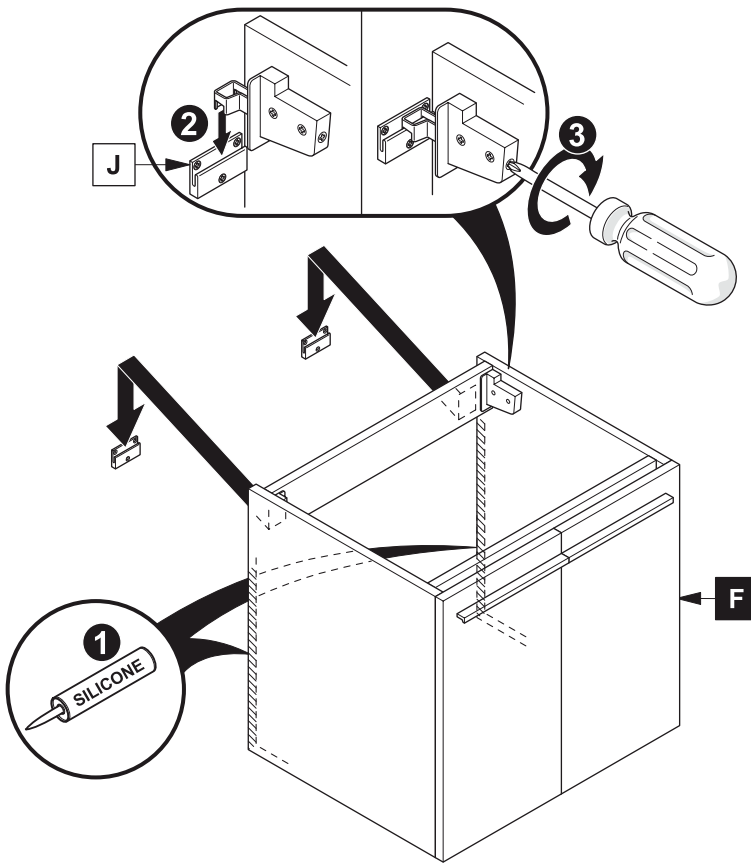


# 2 Install wall brackets (J)

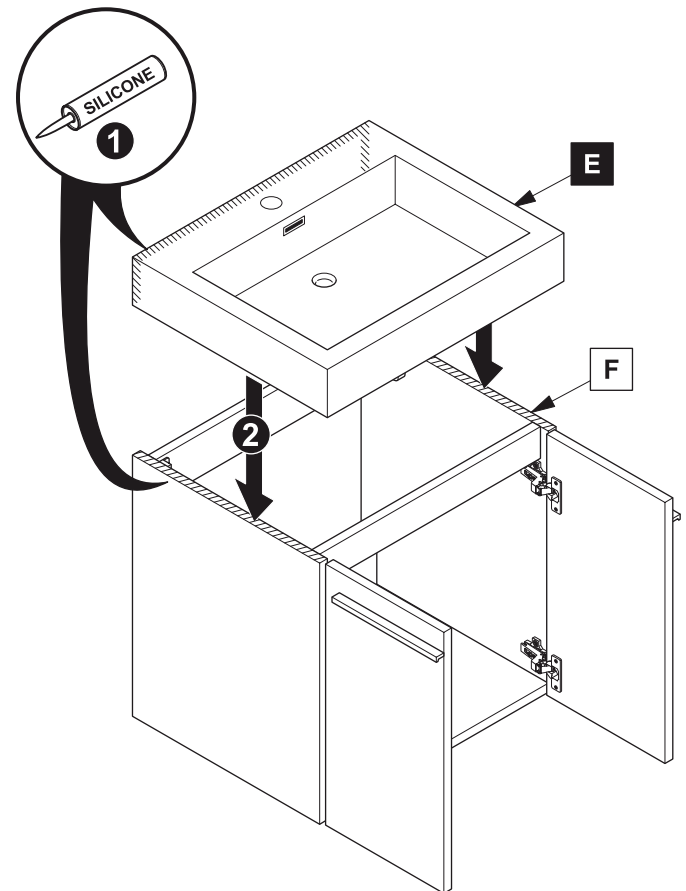
**IMPORTANT:** Consult an expert for the proper screws / bolts to use when attaching to various wall constructions. Screws provided *do not* attach to all wall construction types.



# 3 Apply silicone and install cabinet (F)



# 4 Apply silicone and install sink (E)

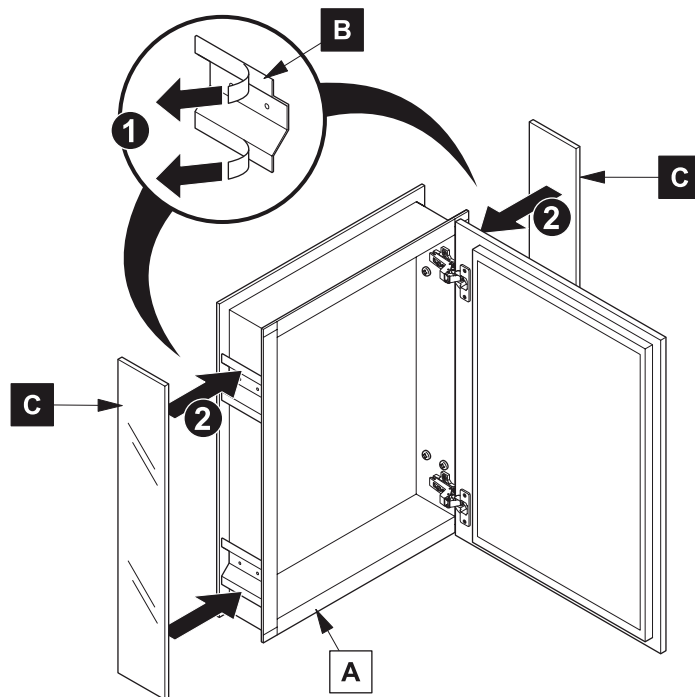
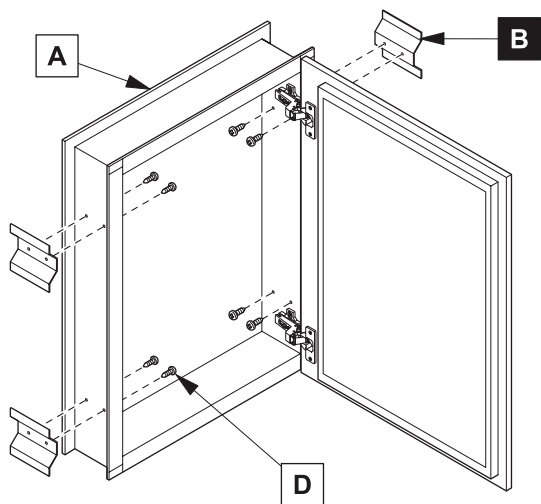


# MEDICINE CABINET INSTALLATION

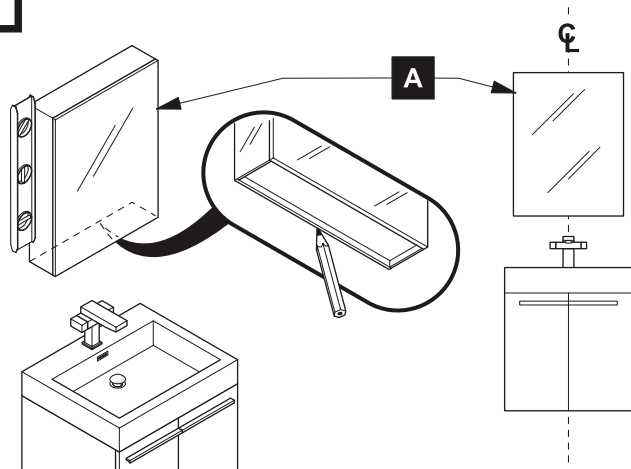
2

Install side mirrors (C)

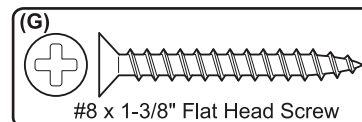
1 Install side brackets (B)



3 Mark cabinet (A) location

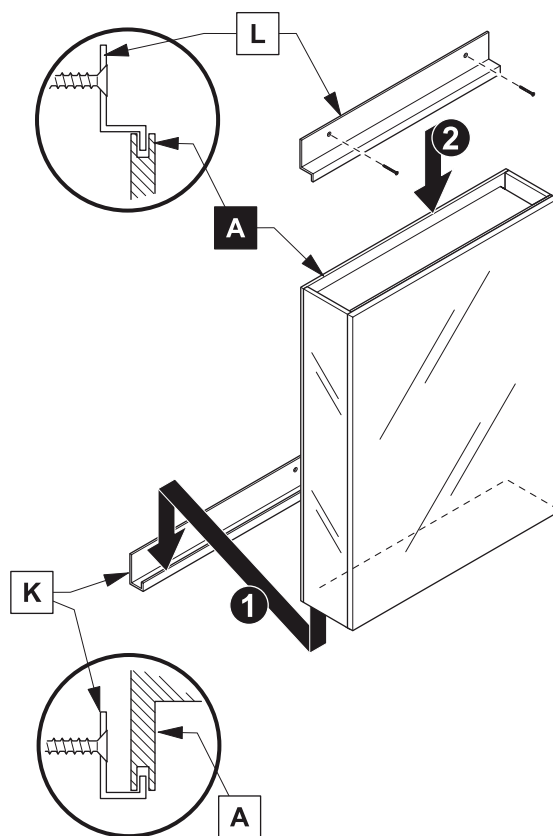
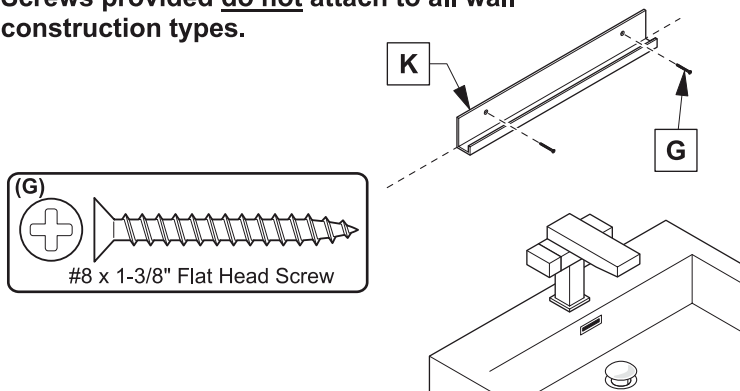


5 Install cabinet (A)



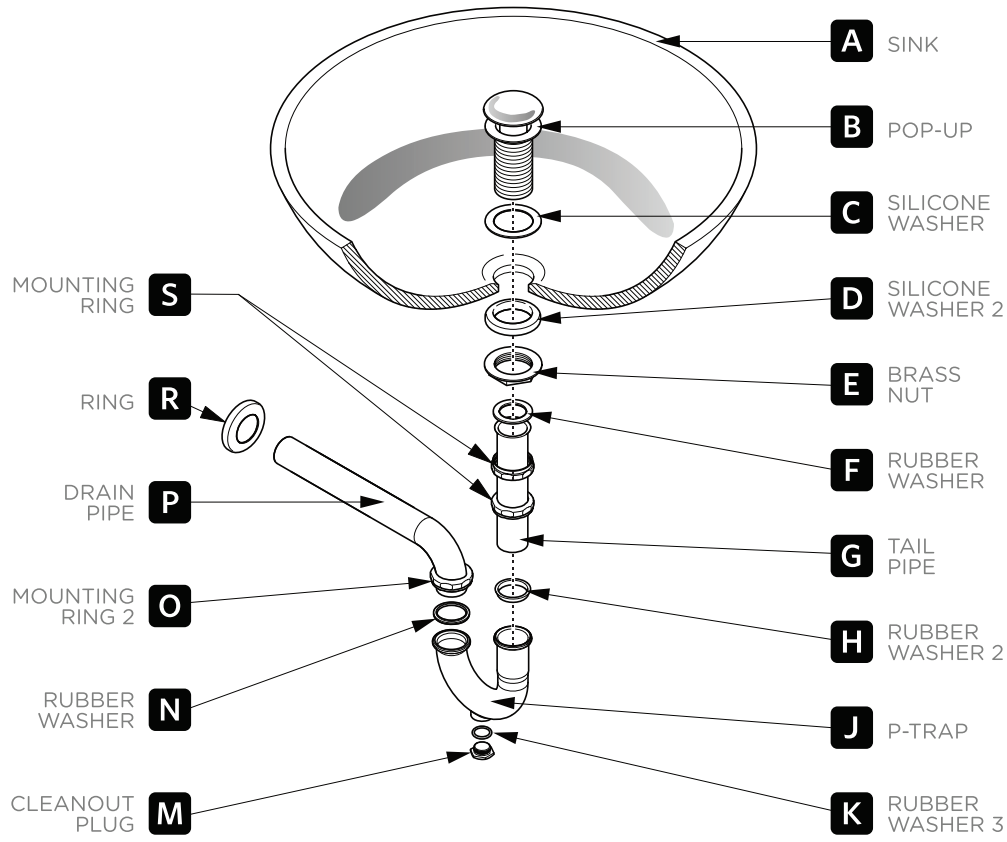
4 Install bottom bracket (K)

**IMPORTANT:** Consult an expert for the proper screws/bolts to use when attaching to various wall constructions. Screws provided do not attach to all wall construction types.



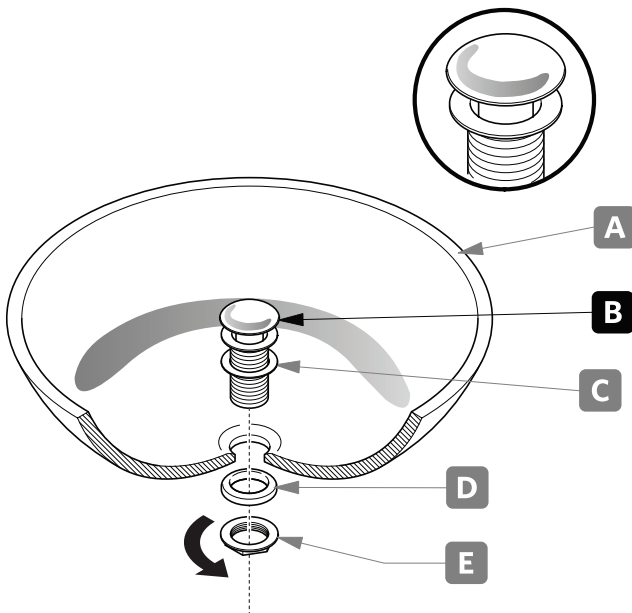
# P-TRAP & POP-UP INSTALLATION INSTRUCTIONS

Your item may appear slightly different from the illustration.



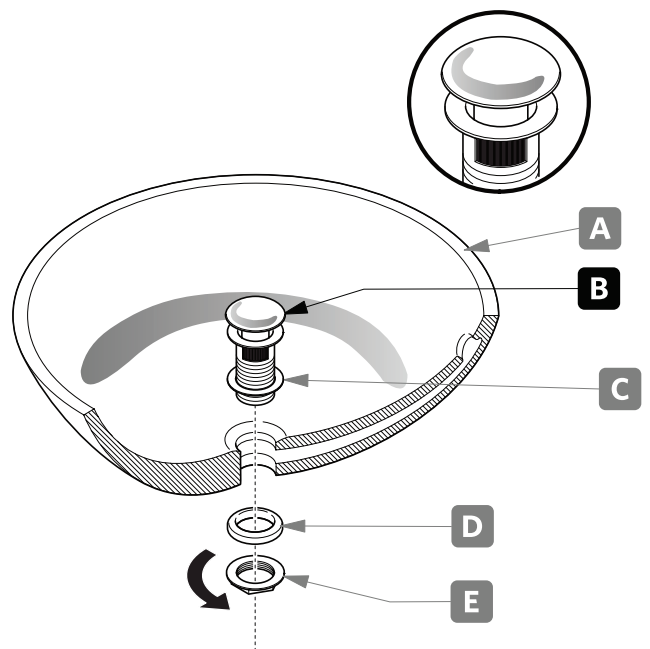
## POP-UP INSTALLATION

**FOR SINKS  
WITHOUT OVERFLOW**



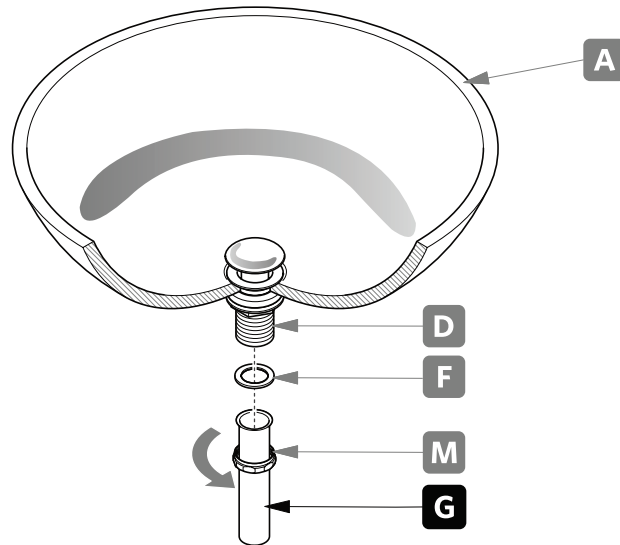
OR

**FOR SINKS  
WITH OVERFLOW**



# P-TRAP INSTALLATION

**1.** Install tail pipe **(G)**.



**2.** Install P-trap **(J)**.

