



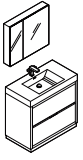
FVN8436

VALENCIA

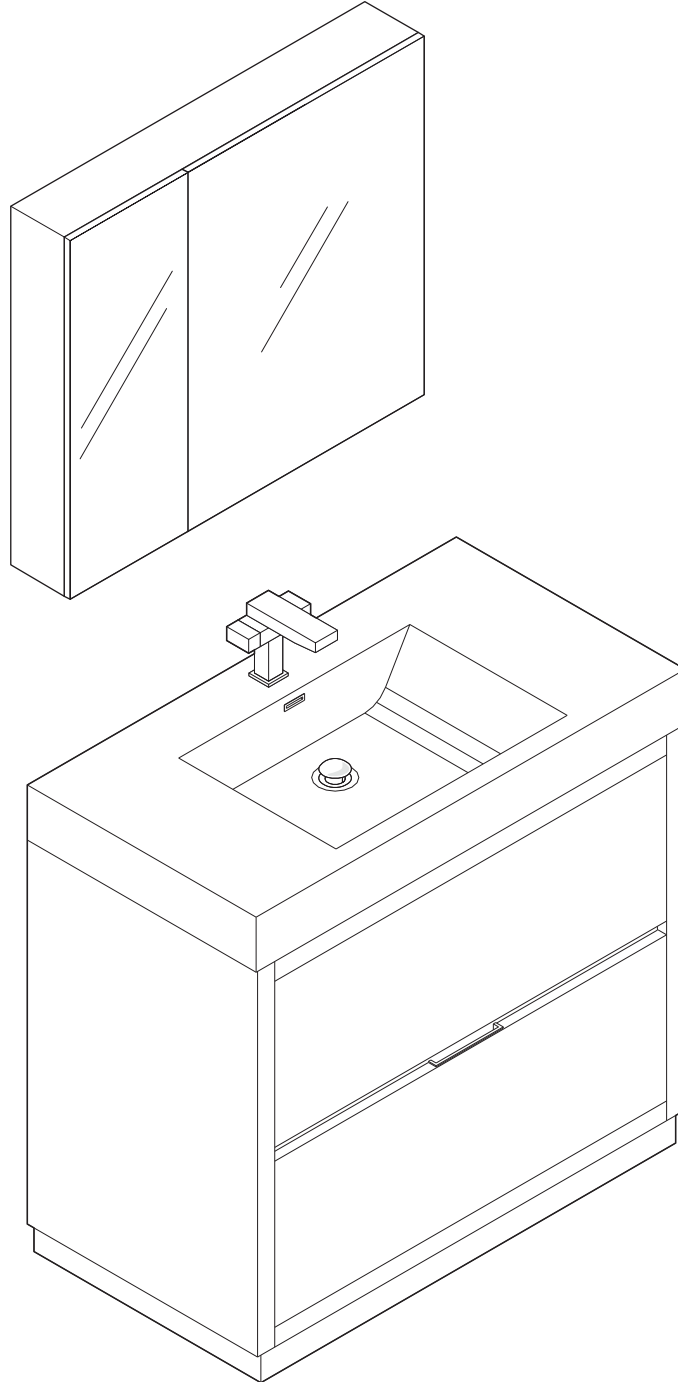
INSTALLATION GUIDE

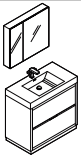
CONTENTS:

Cabinet.....	(FCB8436).....	PAGE 4
Sink.....	(FVS8090WH-1).....	PAGE 4
Medicine Cabinet.....	(FMC8090).....	PAGE 3



FVN8436 VALENCIA INSTALLATION GUIDE

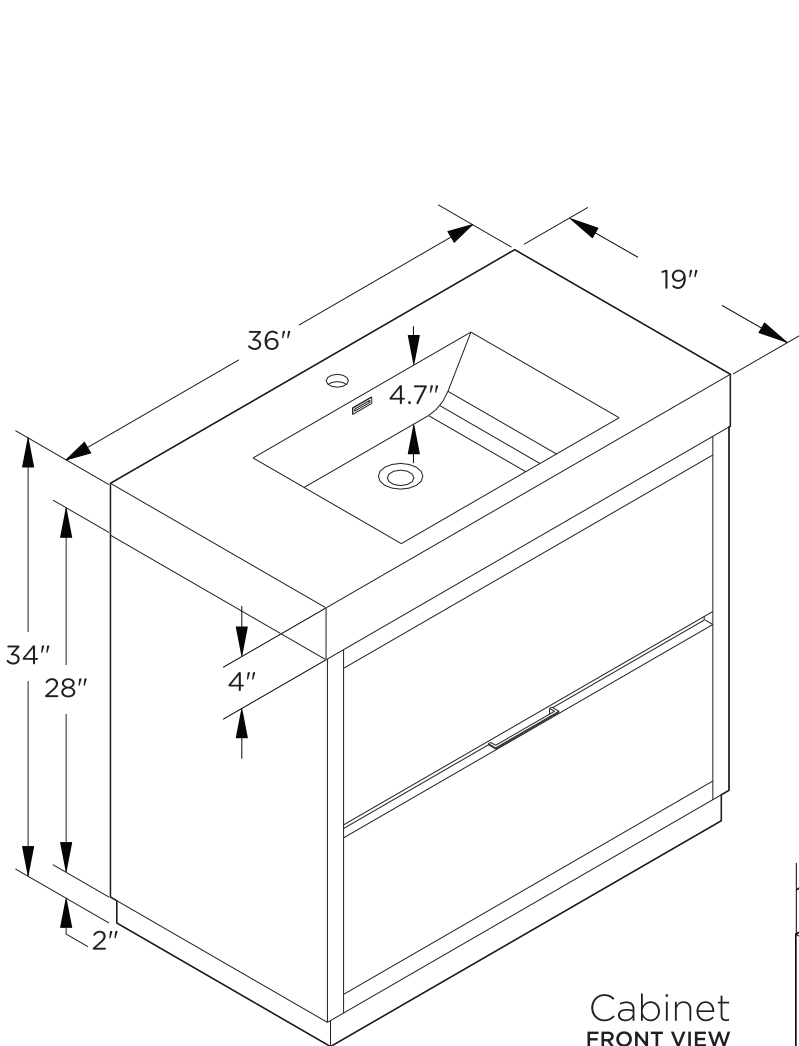




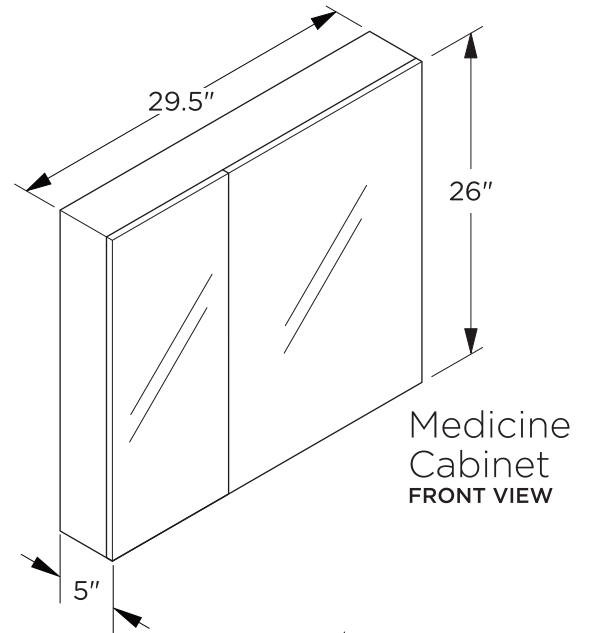
FVN8436 VALENCIA INSTALLATION GUIDE



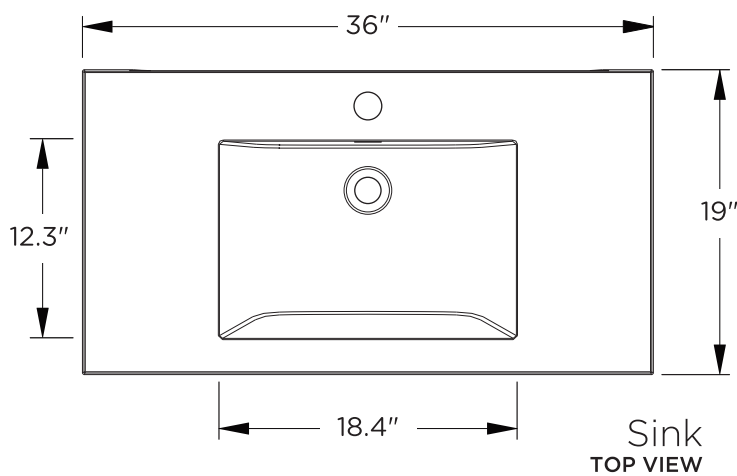
DIMENSIONS



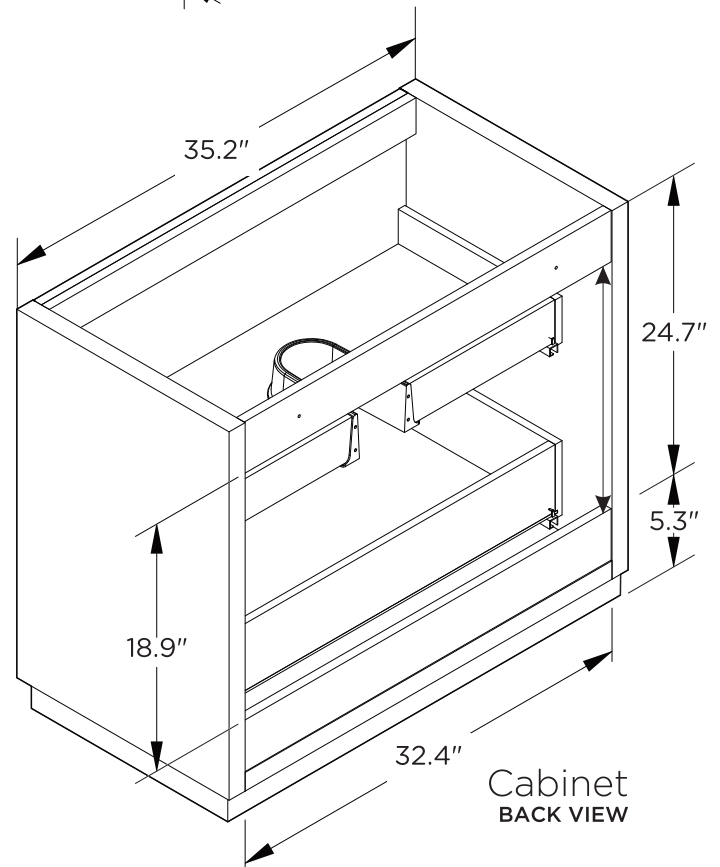
Cabinet
FRONT VIEW



Medicine
Cabinet
FRONT VIEW



Sink
TOP VIEW

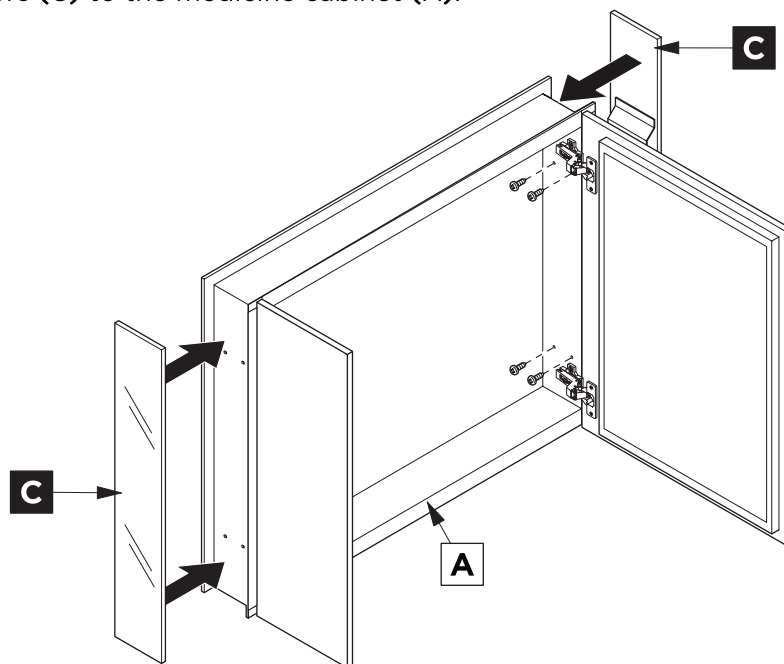


Cabinet
BACK VIEW

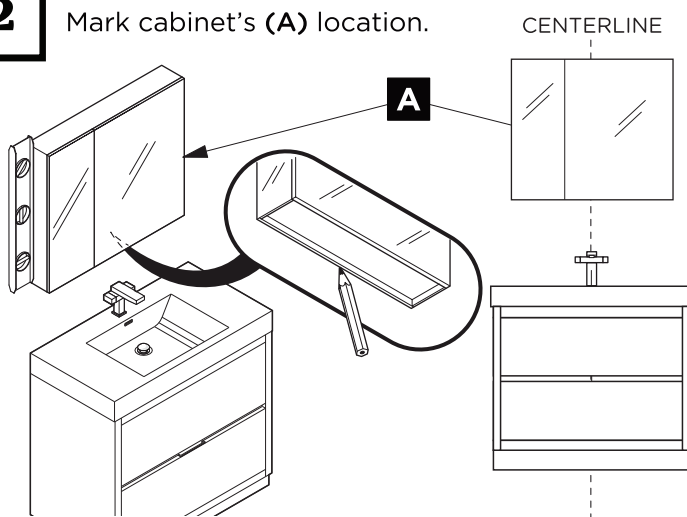
NOTE: ALL DIMENSIONS & SPECIFICATIONS ARE APPROXIMATE AND SUBJECT TO CHANGE WITHOUT NOTICE.

MEDICINE CABINET INSTALLATION

1 Attach side mirrors (C) to the medicine cabinet (A).

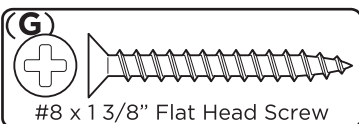
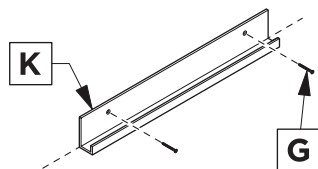


2 Mark cabinet's (A) location.

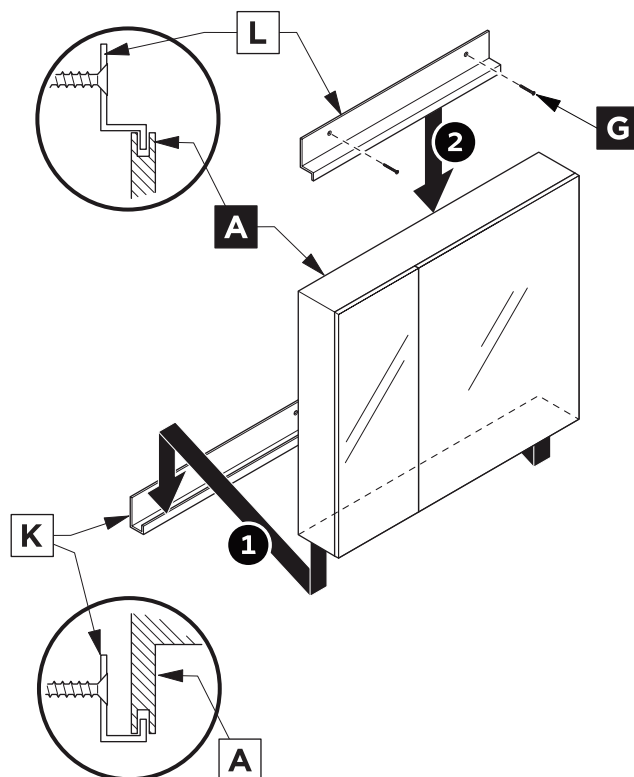


3 Install a bottom bracket (K).

IMPORTANT: Consult an expert for the proper screws/bolts to use when attaching to various constructions. Screws provided do not attach to all wall construction types. Anchors are not required if brackets are installed in stud.



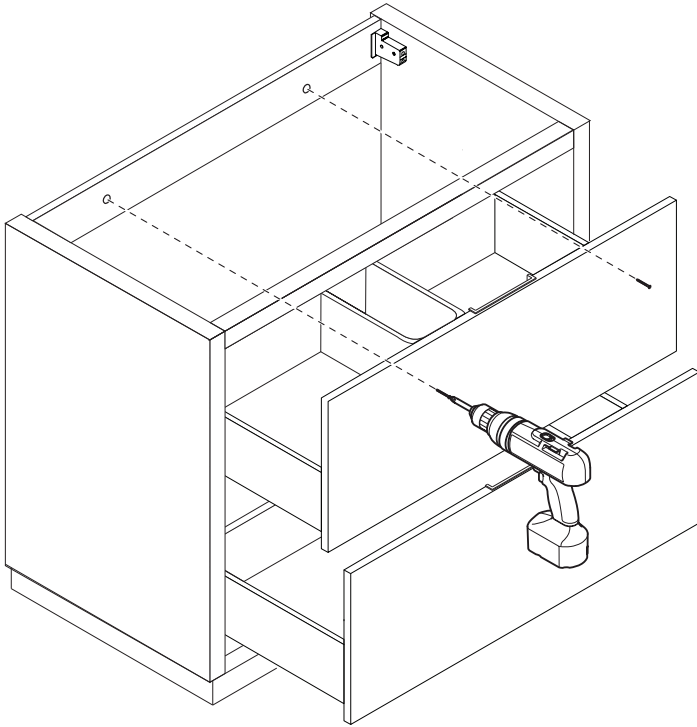
4 * Place cabinet (A) on the bottom bracket (K) and secure it with a top bracket (L).



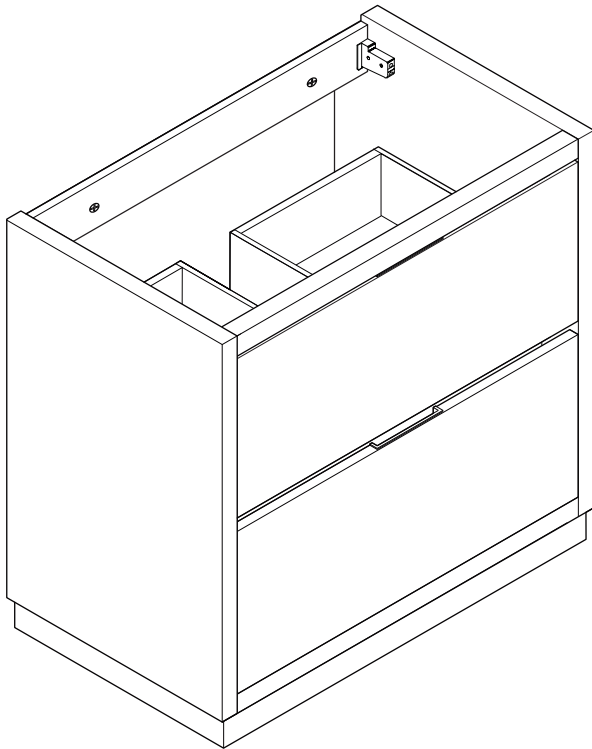
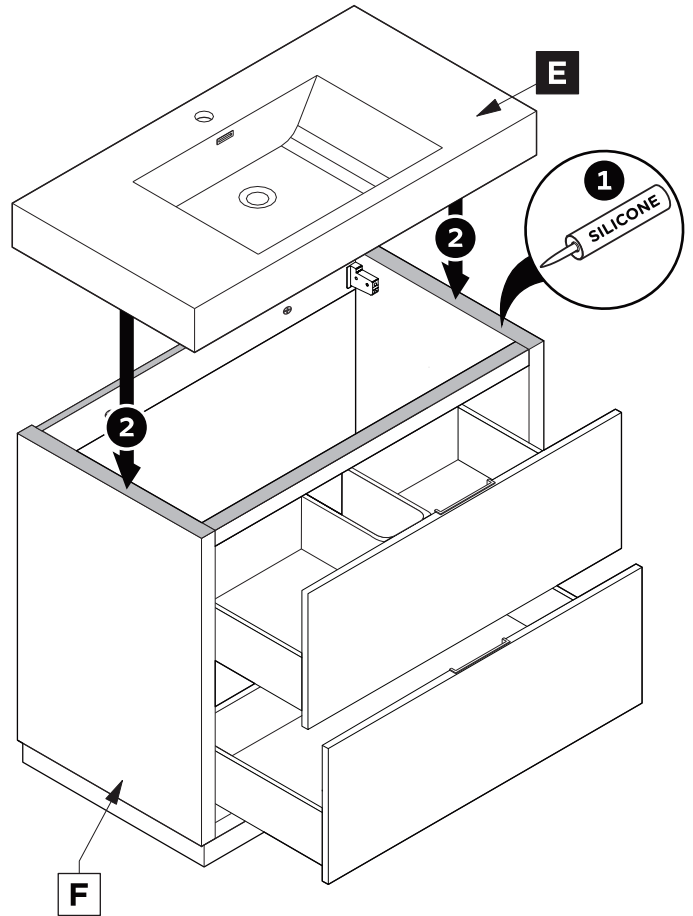
*This step requires assistance to hold cabinet in place until top bracket is securely attached.

CABINET INSTALLATION

1 Attach cabinet (F) to the wall.

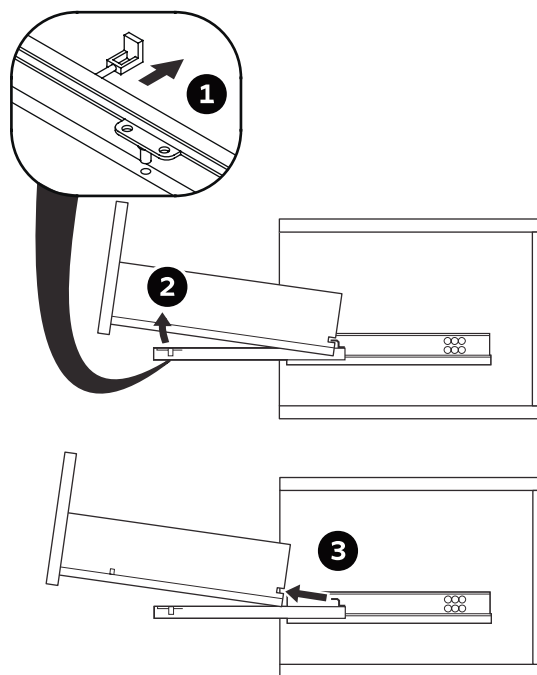


2 Apply a bead of silicone on the top of the cabinet (F) and place sink (E) on it.

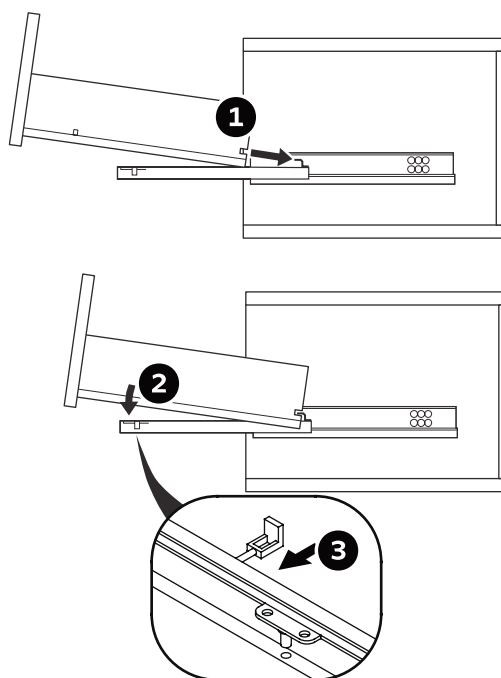


IMPORTANT: Consult an expert for the proper screws/bolts to use when attaching to various constructions. Screws provided do not attach to all wall construction types. Anchors are not required if brackets are installed in stud.

DRAWER REMOVAL

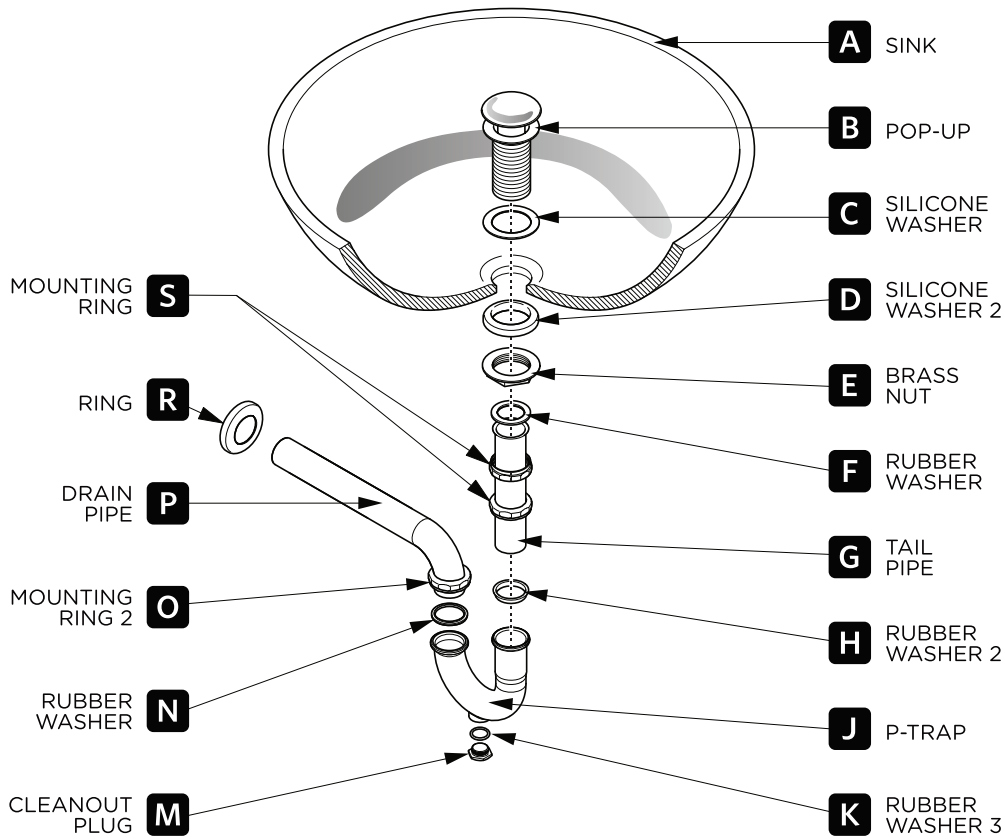


DRAWER INSTALLATION



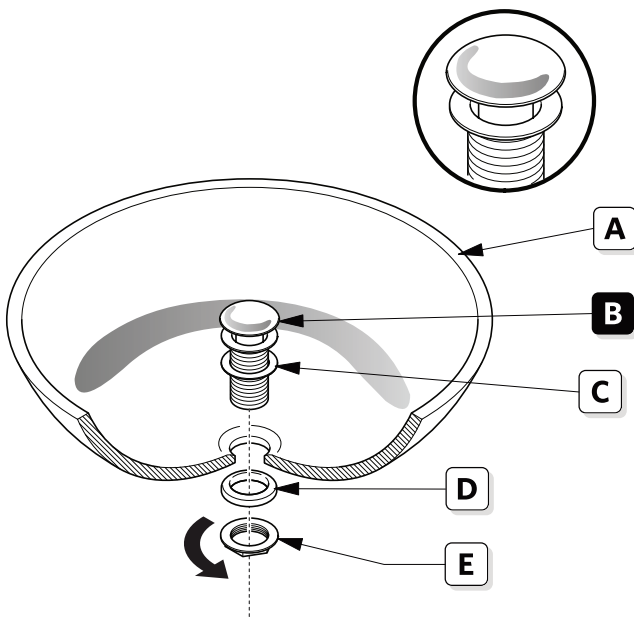
P-TRAP & POP-UP INSTALLATION INSTRUCTIONS

Your item may appear slightly different from the illustration.



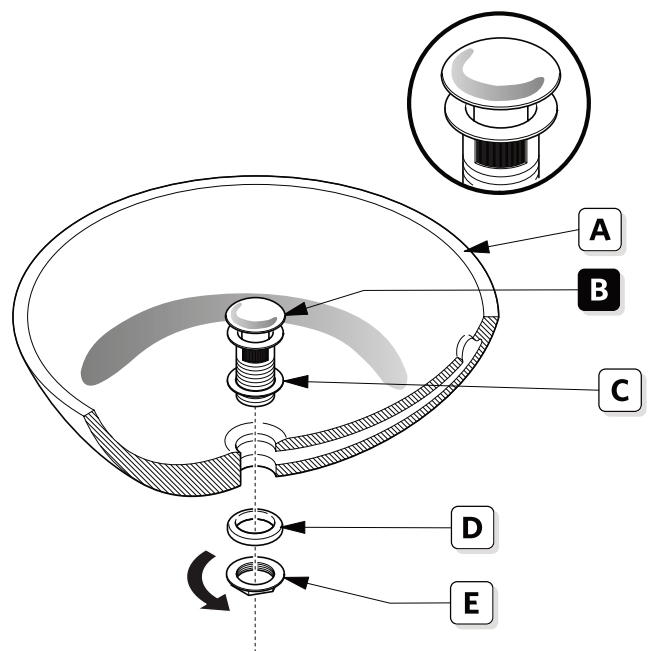
POP-UP INSTALLATION INSTRUCTIONS

FOR SINKS WITHOUT OVERFLOW



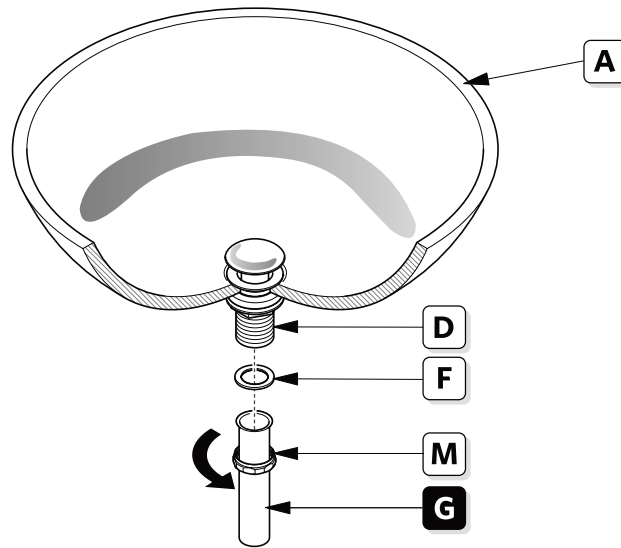
OR

FOR SINKS WITH OVERFLOW



P-TRAP INSTALLATION

1 Install Tail Pipe (G).



2 Install P-Trap (J).

