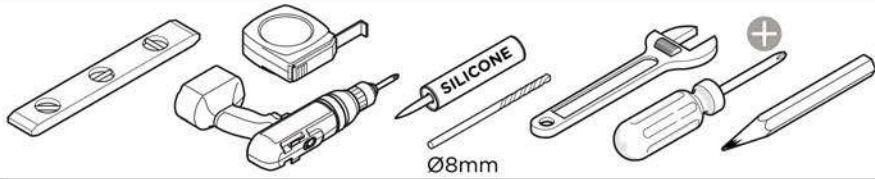


FMC031570

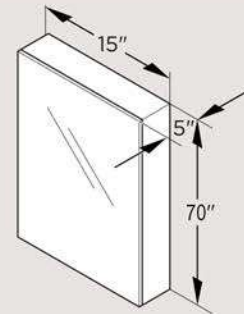
FRESCA 15" WIDE X 70" TALL BATHROOM MEDICINE CABINET INSTALLATION GUIDE



TOOLS REQUIRED FOR INSTALLATION:



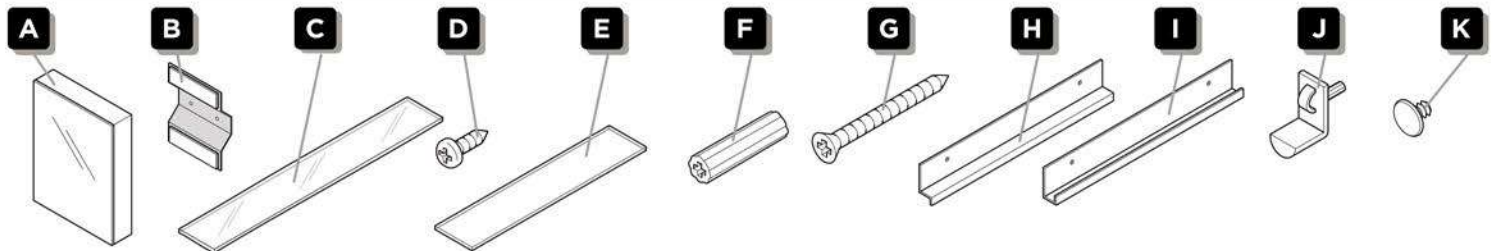
DIMENSIONS



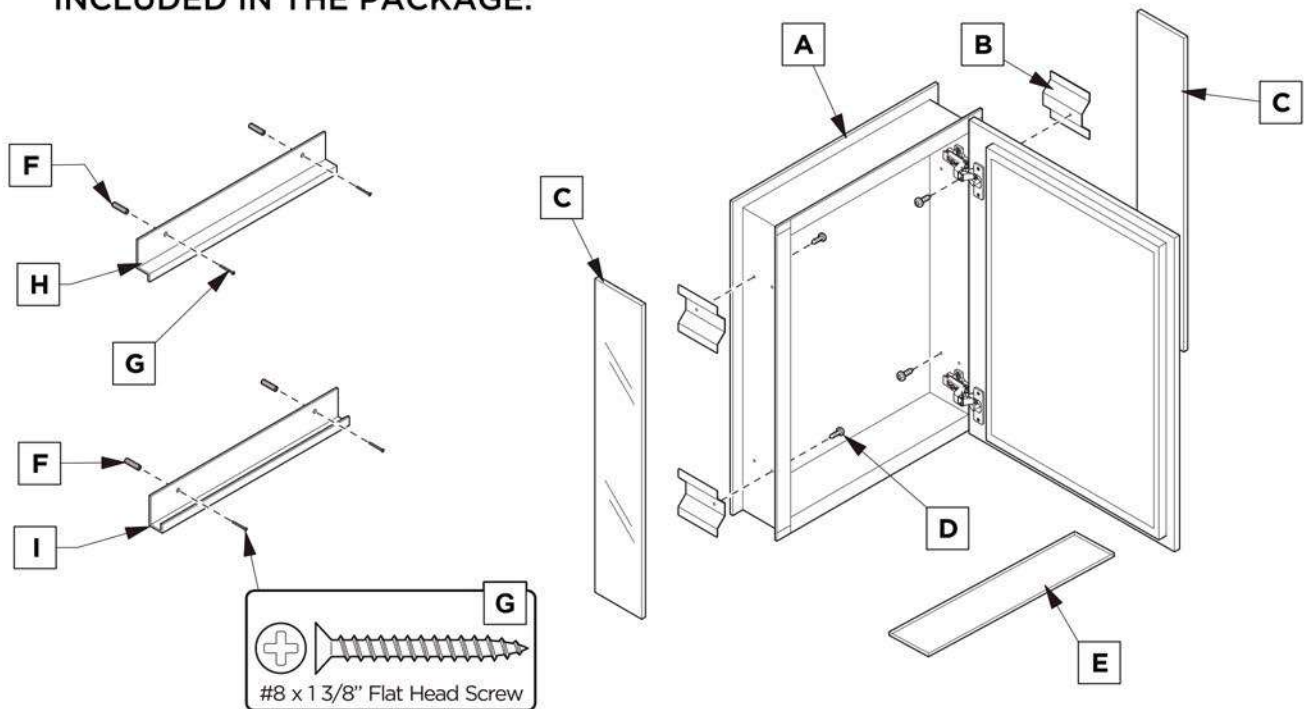
All dimensions & specifications are approximate and subject to change without notice.

INCLUDED IN THE PACKAGE:

- A. Medicine Cabinet
- B. Side Bracket (X4)
- C. Side Mirror (X2)
- D. Small Screw (X4)
- E. Glass Shelf (X4)
- F. Anchor (X4)
- G. Screw (X4)
- H. Top Mounting Bracket
- I. Bottom Mounting Bracket
- J. Snap-in Shelf Pin (X16)
- K. Hole Plug



INCLUDED IN THE PACKAGE:

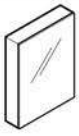


WARNING

Risk of property damage. Use anchors rated for the loaded weight of the product. Refer to anchor manufacturer's instructions.

DANGER

Risk of electric shock. Avoid existing electrical wiring or plumbing when mounting this product to the wall.

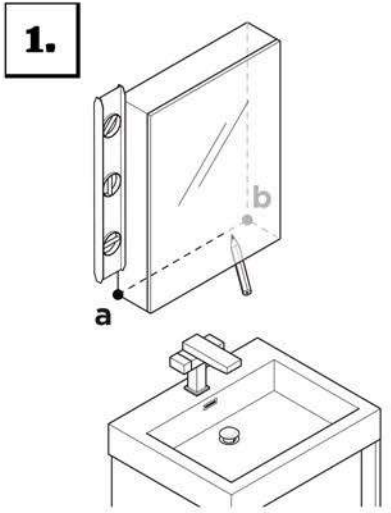


FMC031570

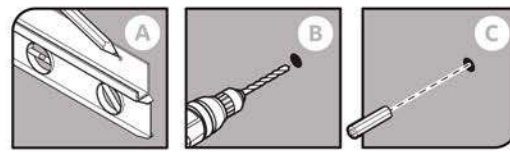
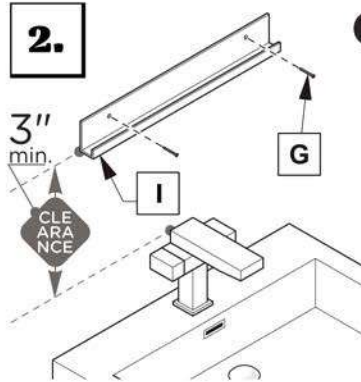
FRESCA 15" WIDE X 70" TALL BATHROOM MEDICINE CABINET INSTALLATION GUIDE



surface-mount installation



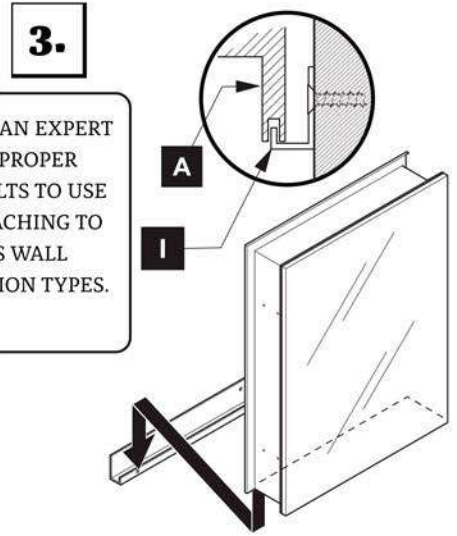
Mark the medicine cabinet's location from point **a** to point **b** using a level.



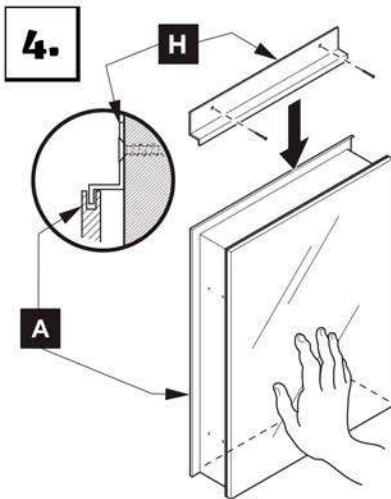
Level and mark. Drill the hole with a 3/16" bit. *Insert the anchors (F).

D Install the bottom bracket.

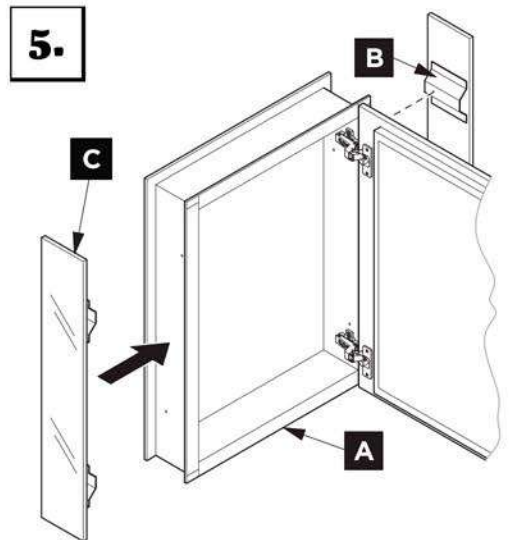
CONSULT AN EXPERT FOR THE PROPER SCREWS/BOLTS TO USE WHEN ATTACHING TO VARIOUS WALL CONSTRUCTION TYPES.



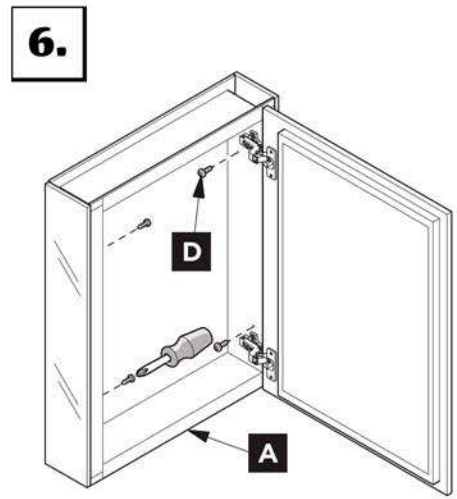
With assistance, rest the cabinet on the mounting bracket (I) and fold it in place.



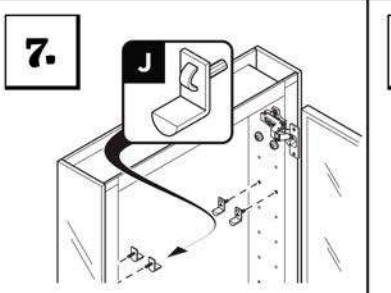
Hold the cabinet then fit the top bracket (H) on to the top of the cabinet then attach the bracket to the wall.



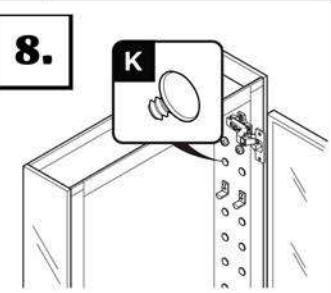
Align mirrored side panel (C) each side of the cabinet.



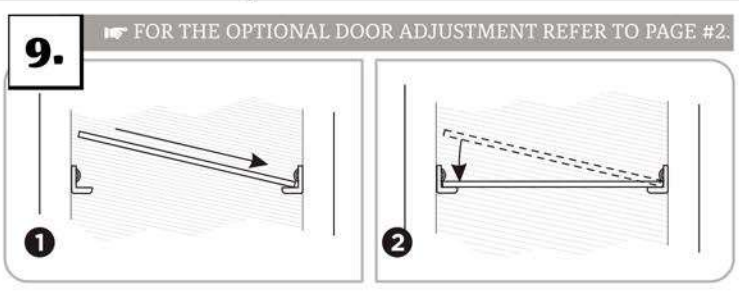
Secure mirrored side panels with provided screws (D) using screwdriver.



Push and twist the snap-ins (J) into place.

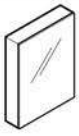


Fill remaining holes with the plugs (K).



① Push a side of the glass shelf (E) into the left or right pins (J). ② Push a side of the shelf (E) down into the opposite side.

All dimensions & specifications are approximate and subject to change without notice.

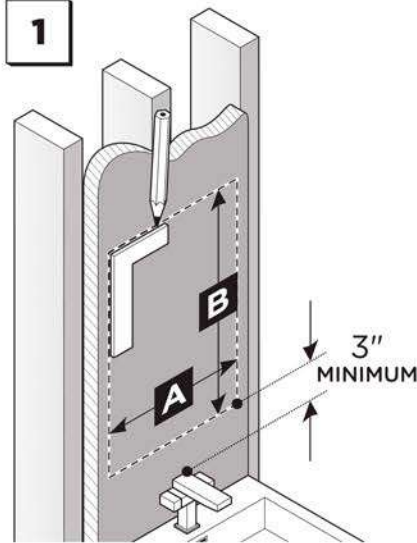


FMC031570

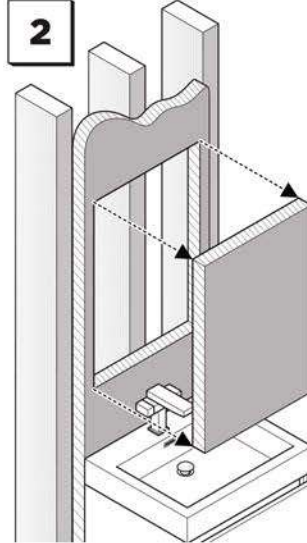
FRESCA 15" WIDE X 70" TALL BATHROOM MEDICINE CABINET INSTALLATION GUIDE



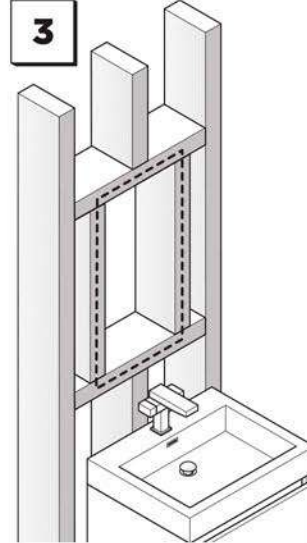
recess-mount installation



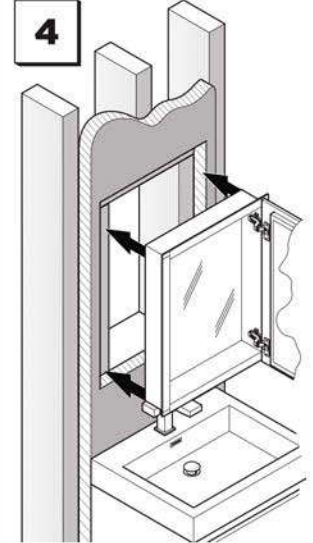
1 Draw the perimeter of the medicine cabinet on the wall.



2 Cut the marked perimeter with the appropriate tool.



3 Frame the cutout opening.

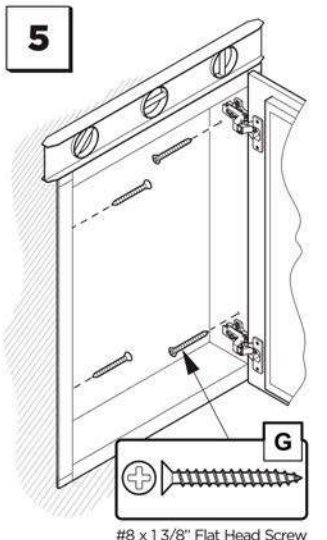
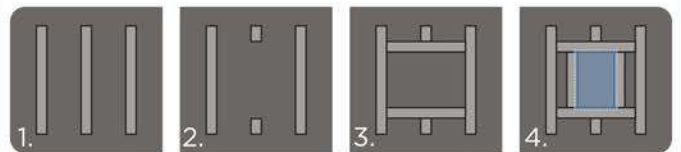


4 Place and hold the cabinet in the cutout opening.

DIMENSIONS FOR RECESS-MOUNT INSTALLATION

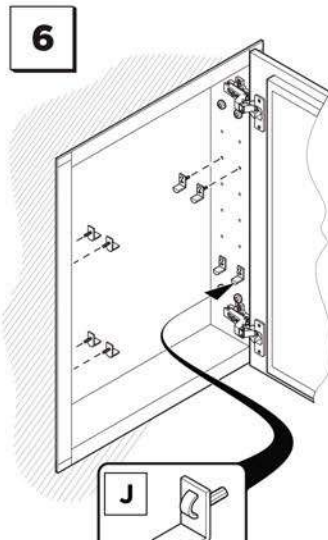
model #	width A	height B	depth
FMC031570	14 1/8"	69 1/8"	3 3/4"

4 STEPS TO FRAME THE CUTOUT OPENING



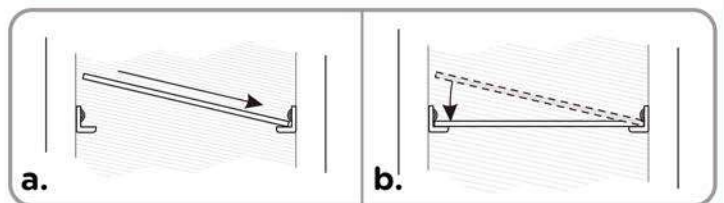
5 Level, then secure the cabinet with screws (G) through the mounting holes into the wall or the mounting studs.

#8 x 1 3/8" Flat Head Screw



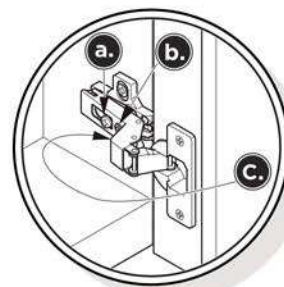
6 Choose the position for your shelves then push and twist the snap-in pins (J) into place.

7 GLASS SHELF INSTALLATION



- a. Push a right side of the shelf (E) into left or right pins (J).
- b. Snap the shelf (E) down into opposite side.
- c. Fill remaining holes with the plugs (K).

OPTIONAL DOOR ADJUSTMENT:



- A** This screw allows you to adjust pitch side to side.
- B** This screw releases cabinet's door and allows up & down adjustment.
- C** This screw allows you to adjust the gap between the doors.

All dimensions & specifications are approximate and subject to change without notice.