



**FMR022424RD/023030RD/023636RD/024242RD**

**BATHROOM MIRROR** w/ LED Lighting and Defogger  
**INSTALLATION GUIDE**



## IMPORTANT SAFETY INSTRUCTIONS

*When using an electrical furnishing, basic precautions should always be followed, including the following:*



### **DANGER**

**READ AND FOLLOW ALL INSTRUCTIONS BEFORE USING THIS MIRROR.**



### **WARNING**

To reduce the risk of burns, fire, electric shock or injury to persons. Use this furnishing only for its intended use as described in these instructions. Do not use attachments not recommended by the manufacturer. Never drop or insert any object into any opening. Do not use outdoors.



### **WARNING**

Risk of electric shock. Connect this furnishing to a properly grounded circuit only. See Grounding instructions.

## **GROUNDING INSTRUCTIONS:**

This product must be connected to a grounded metal, permanent wiring system, or an equipment-grounding conductor must be run with the circuit conductors and connected to the equipment-grounding terminal or lead on the product.



### **WARNING**

An Electrical option cabinet must be wired to a 20 Amp GFI (Ground Fault Interrupter) protected circuit when used in bathrooms and all other locations required by the National Electric Code.

PLEASE SAVE THESE INSTRUCTIONS FOR FUTURE REFERENCE



**FMR022424RD/023030RD/023636RD/024242RD**

**INSTALLATION GUIDE**

PAGE 1



**FMR022424RD/023030RD/023636RD/024242RD**

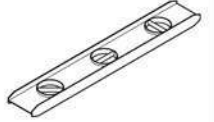
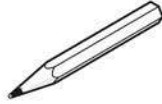
**BATHROOM MIRROR** w/ LED Lighting and Defogger  
**INSTALLATION GUIDE**



**TOOLS REQUIRED FOR ASSEMBLY**

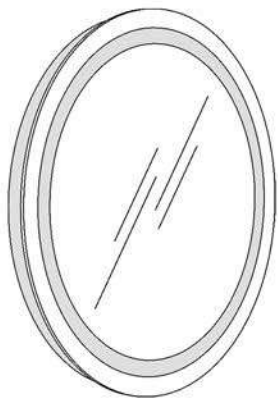


1/8" Drill Bit



**PARTS INCLUDED**

**DIMENSIONS**



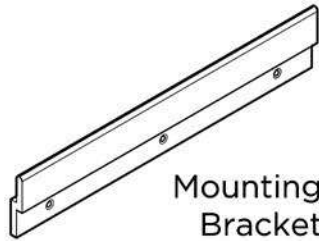
Mirror



Wire Nuts



Screws



Mounting Bracket

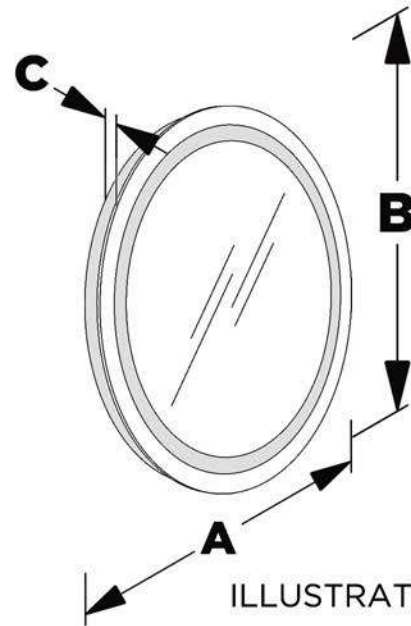


ILLUSTRATION a.

SKU:	FMR022424RD	FMR023030RD	FMR023636RD
<b>A</b>	24"	30"	36"
<b>B</b>	24"	30"	36"
<b>C</b>	1.73"	1.73"	1.73"
SKU:	FMR024242RD		
<b>A</b>	42"		
<b>B</b>	42"		
<b>C</b>	1.73"		

**A** - Mirror's Width | **B** - Mirror's Height | **C** - Mirror's Depth (See Illustration a).



**NOTE:** Determine overall mirror dimensions before proceeding to installation.

\*All dimensions & specifications are approximate and subject to change without notice.



**FMR022424RD/023030RD/023636RD/024242RD**

**INSTALLATION GUIDE**

PAGE 2



**FMR022424RD/023030RD/023636RD/024242RD**

**BATHROOM MIRROR** w/ LED Lighting and Defogger  
**INSTALLATION GUIDE**



**ELECTRIC CONNECTIONS**

**ALL WIRING SHOULD BE DONE BY A QUALIFIED LICENCED ELECTRICIAN**



**WARNING:** Shut off power before wiring the mirror.



**WARNING:** An Electrical option mirror must be wired to a 20 Amp GFI (Ground Fault Interrupter) protected circuit when used in bathrooms and all other locations required by the National Electric Code.

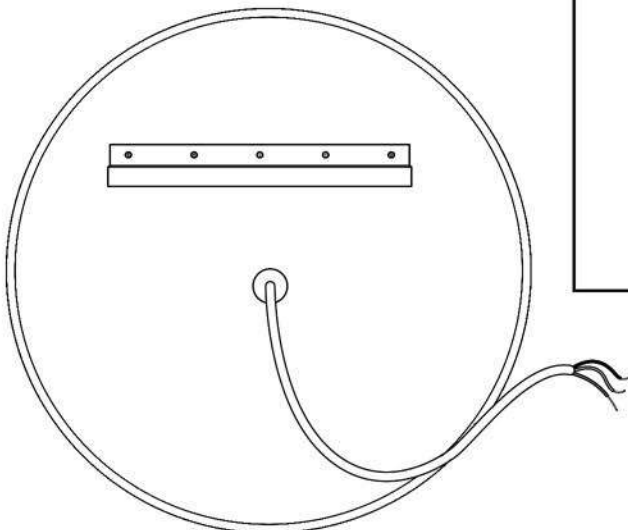


**WARNING:** This mirror must be connected to a grounded, metal permanent wiring system or an equipment-grounding conductor must be run with the circuit conductors and connected to the equipment grounding terminal or lead on the mirror.

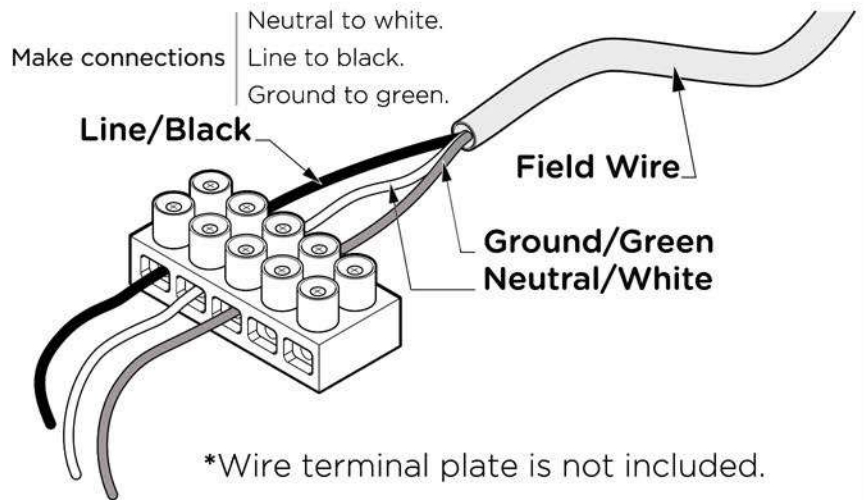


**CAUTION:** Requires 120 VAC 20 Amp GFI protected circuit.

The electric wire comes through the access hole in the back of the mirror.



**Electric wiring:** Be sure to provide enough wire to make the proper and safe connection to the Field/Power.

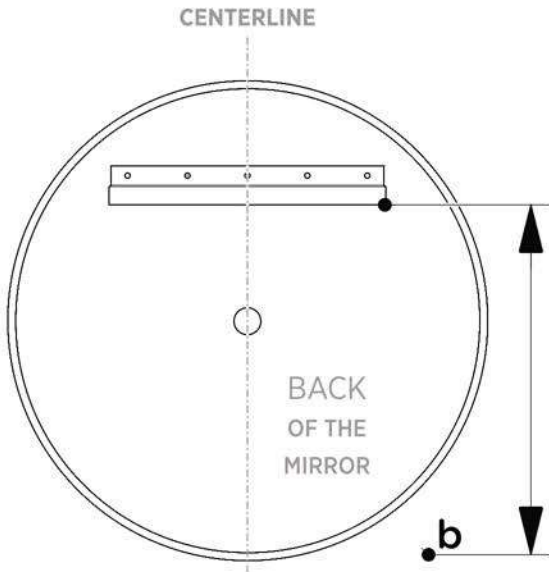


**MIRROR FEATURES**

- Ip44 rated Frame/backplate
- 5mm copper free silver mirror
- High output LED lighting: CRI 90+, 1950LM, 4000-4500K CCT, Ip65
- Dimmable touch switch for surface LED
- Vertical and horizontal mount options
- Defogger with touch switch (bottom left corner)

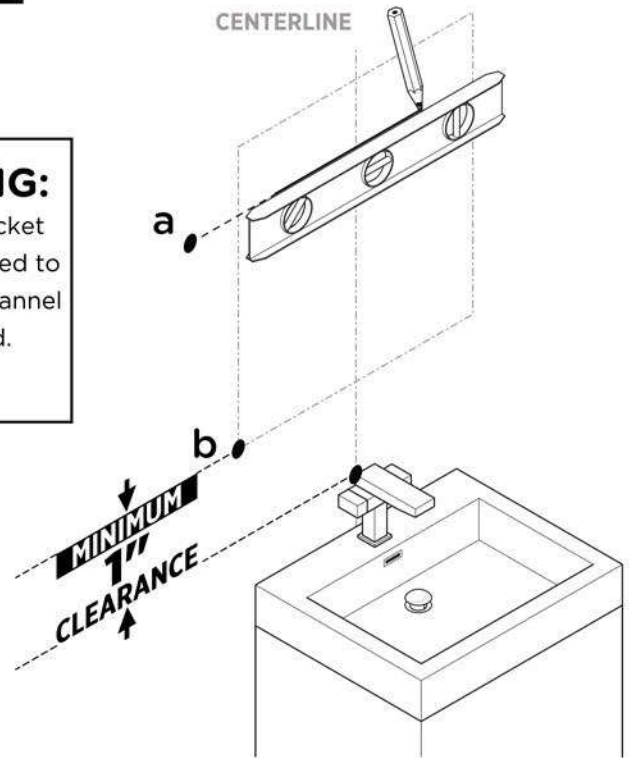
# INSTALLATION INSTRUCTIONS

- 1** Measure the distance between the bottom of the mirror and point a.



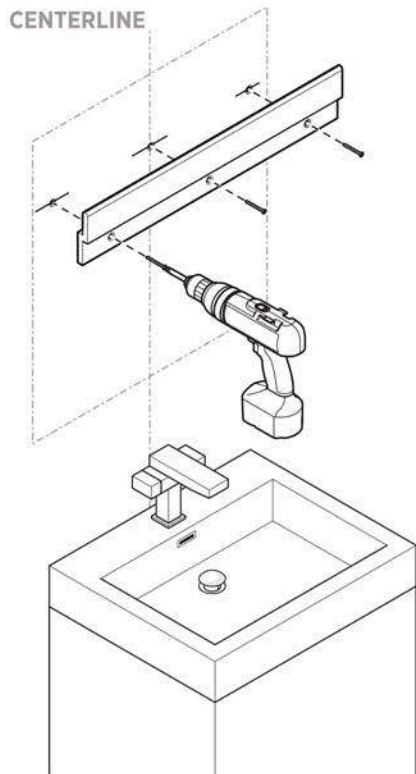
**WARNING:**  
Mounting bracket must be attached to furring strip/channel or wall stud.

- 2** Draw a horizontal line from the point a using a level.

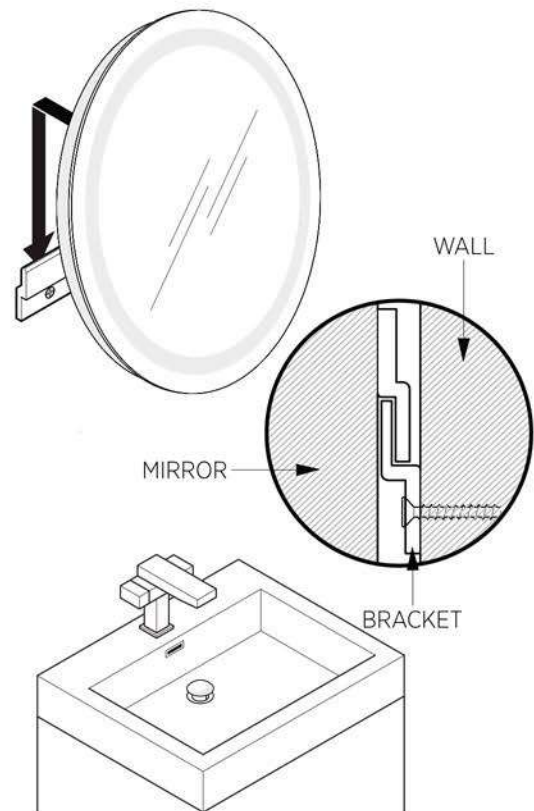


\*HORIZONTAL & VERTICAL MOUNT OPTION AVAILABLE.

- 3** Attach the mounting bracket to the wall.



- 4** Hang the mirror on the mounting bracket.



## FINAL ASSEMBLY

### How to use Defogger Switch and Dimmer Switch:

Touch the Defogger switch to turn the heating coils on or off.

Touch the Dimmer switch to turn the task light on or off. Press and hold the dimmer switch to dim or brighten the task lights. Dimmer switch stores the current light level intensity when switched off and on.

### Use and Maintenance:

#### CAUTION:

Mirror and mirror's body are constructed of mirrored glass and aluminum. Use a damp cloth to clean your mirrors. Do not use any abrasive material as it may damage the surface and finish of the mirror. A mild detergent may be used to clean the surfaces of the mirror. When cleaning spray the cloth, not the mirrors or surrounding surfaces.

#### TROUBLESHOOTING:

For service and parts information please email:

**[general@frescabath.com](mailto:general@frescabath.com)**

For installation questions contact

**RGM Distribution, Inc.**

**800.514.2143**

