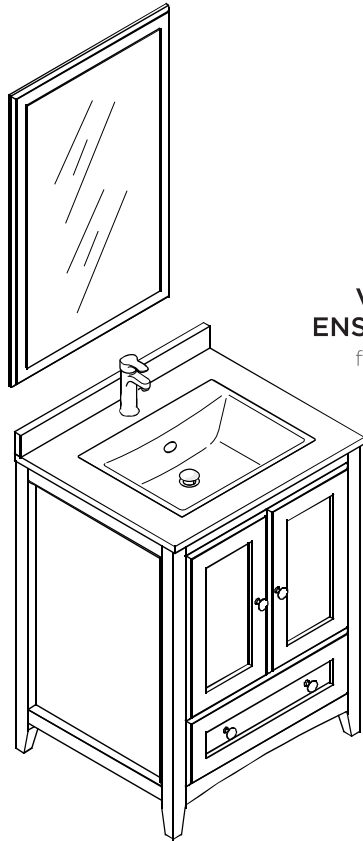
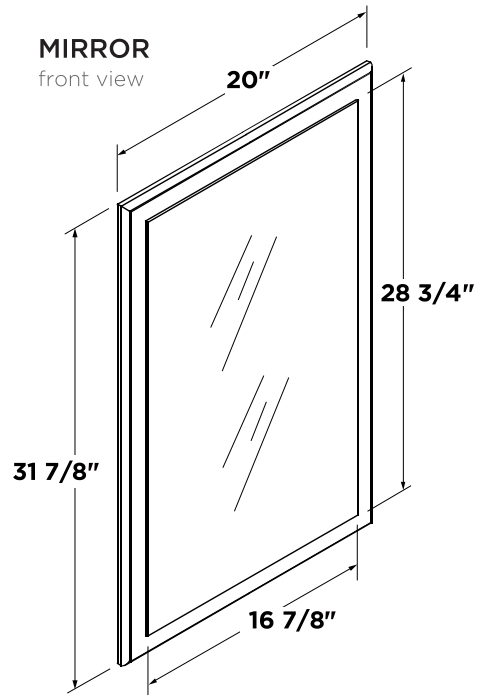


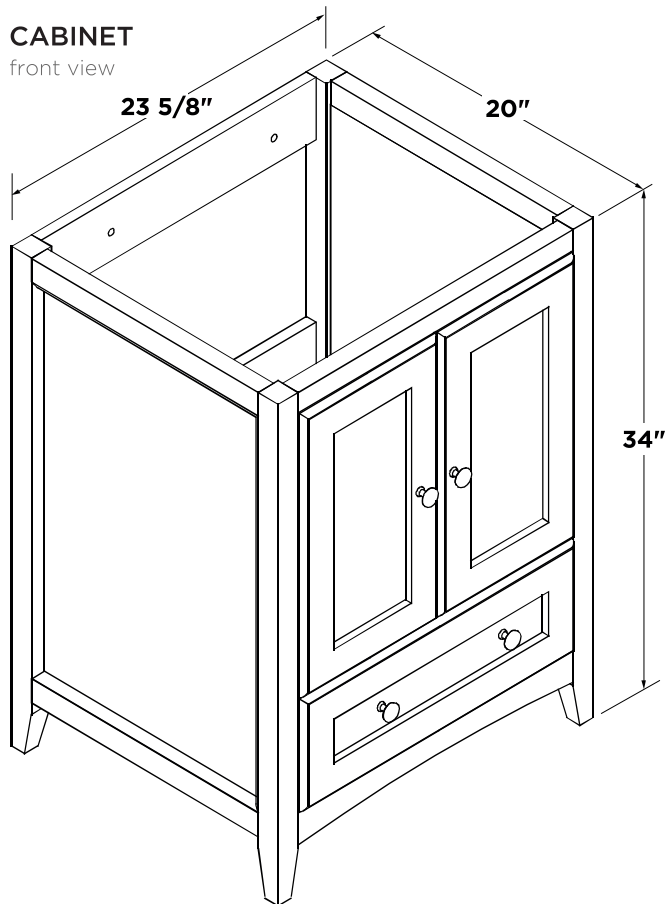
FVN2024 OXFORD INSTALLATION GUIDE



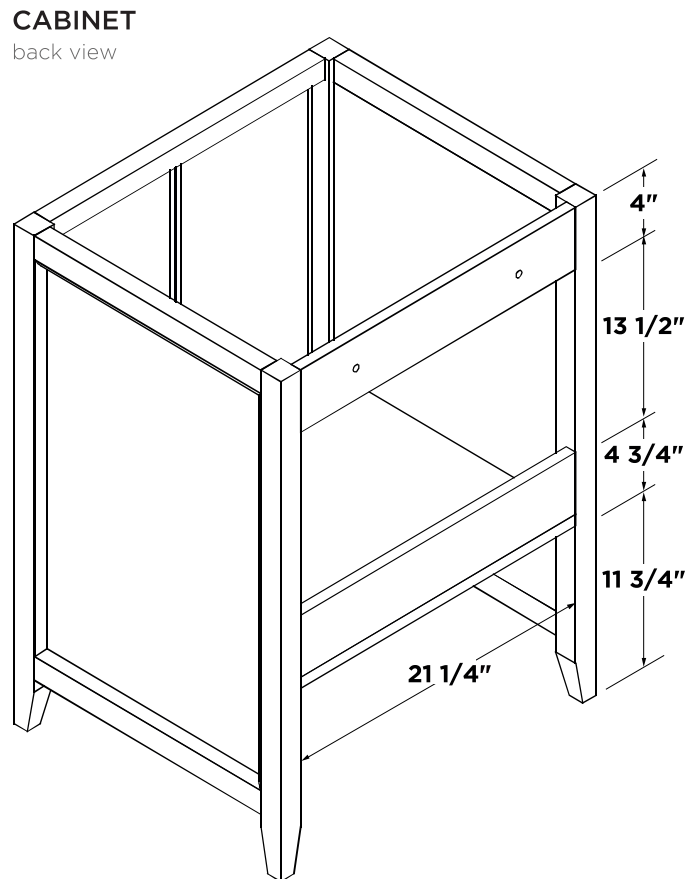
**VANITY
ENSEMBLE**
front view



MIRROR
front view

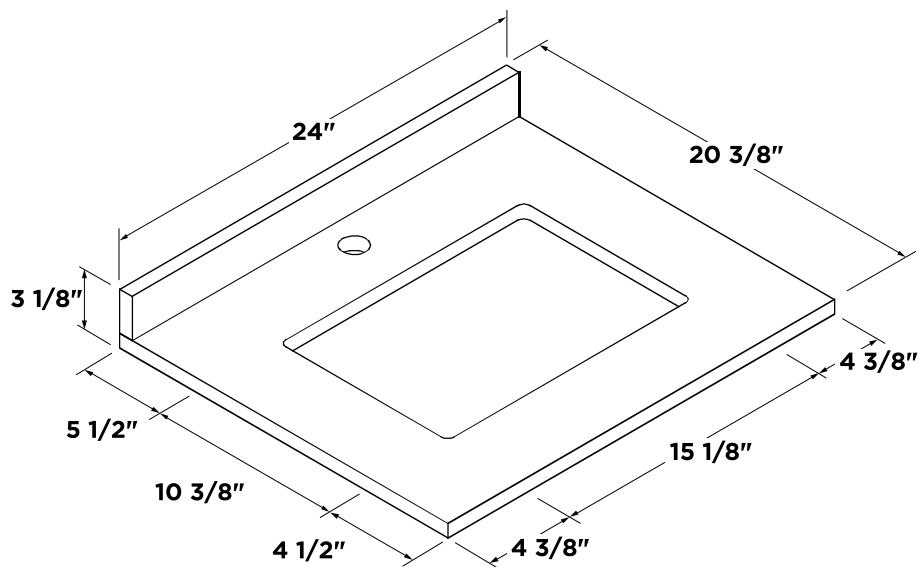


CABINET
front view



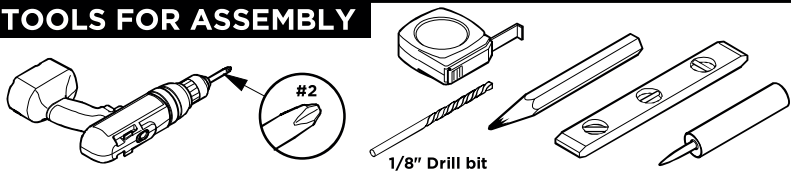
CABINET
back view

COUNTER TOP & BACK SPLASH DIMENSIONS



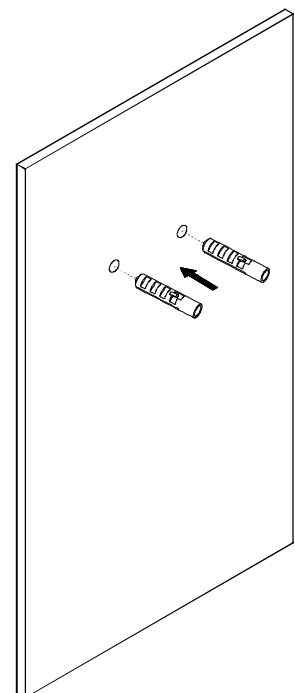
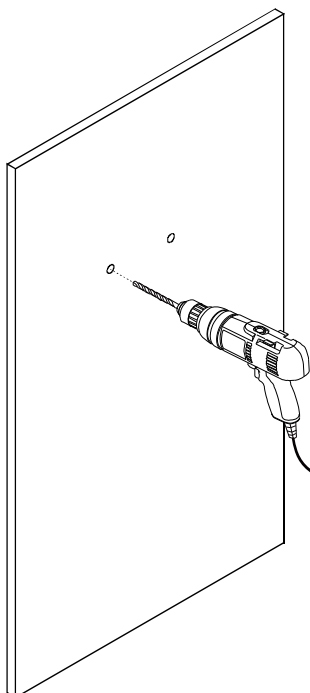
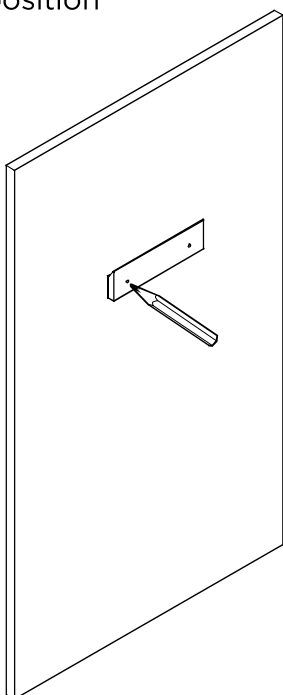
Note: All dimensions and specifications are approximate and subject to change without notice.

TOOLS FOR ASSEMBLY



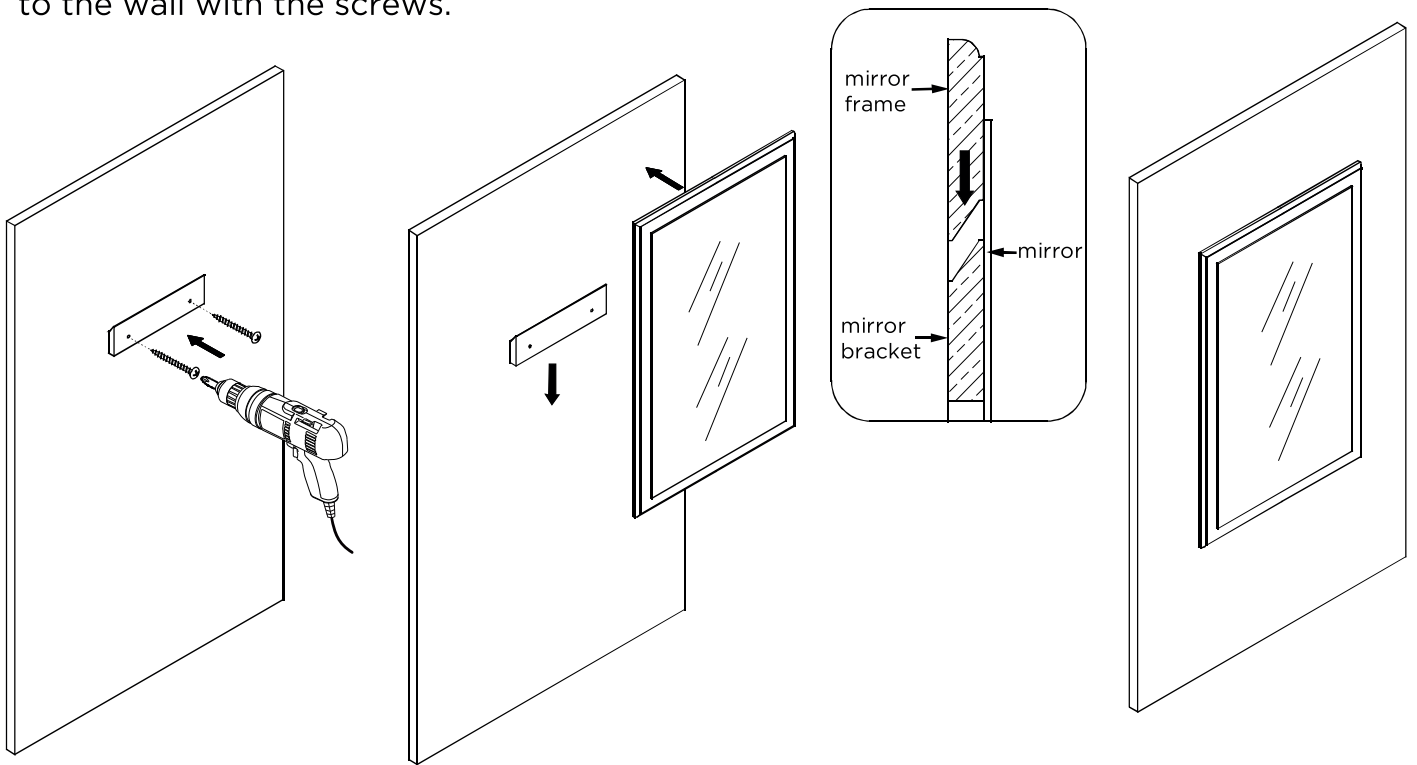
MIRROR INSTALLATION

- 1 Level the mirror bracket and then mark the installation position
- 2 Drill the installation holes
- 3 Insert the plastic plug



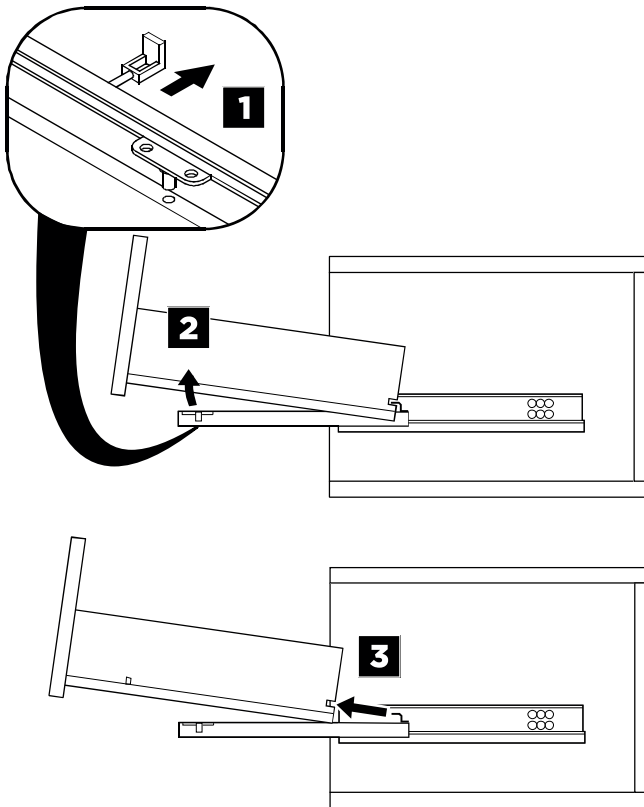
4 Attach the mirror bracket to the wall with the screws.

5 Hang the mirror on the bracket.

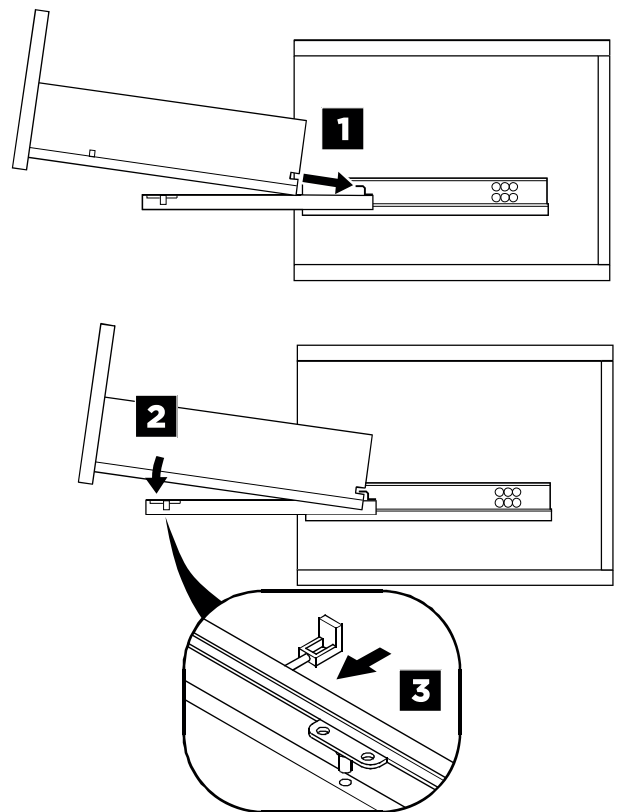


DRAWER REMOVAL & INSTALLATION

REMOVAL

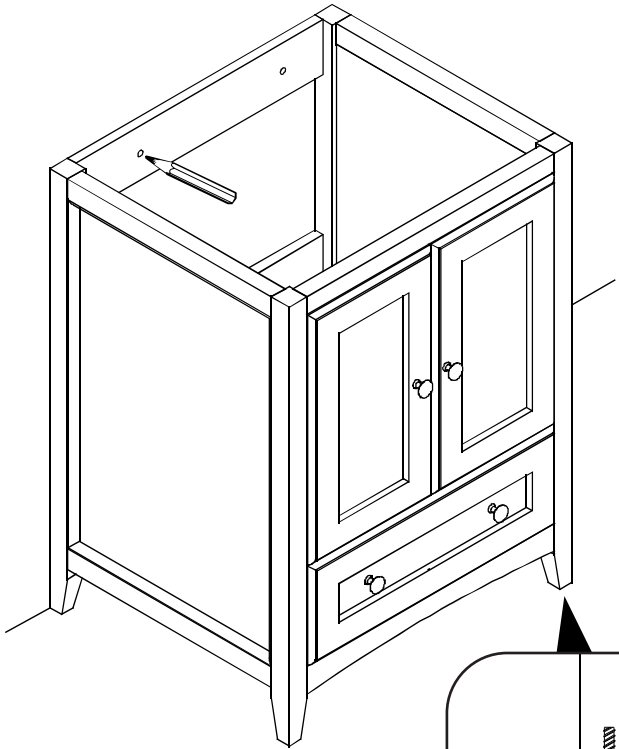


INSTALLATION



1

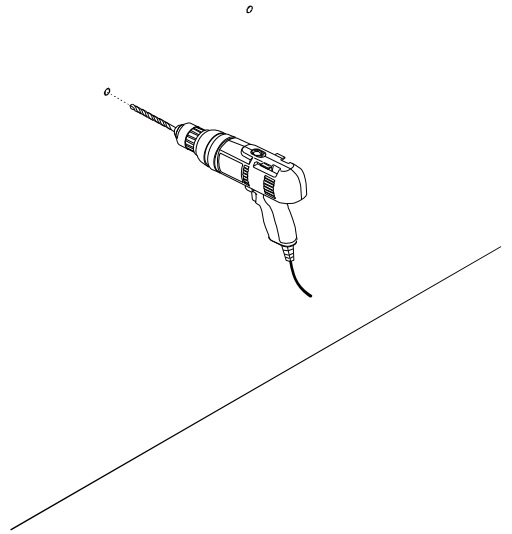
Level the cabinet and mark position for the installation.



To ensure stability, cabinet's height can be regulated by turning the glide clockwise or counterclockwise.
(Optional Step)

2

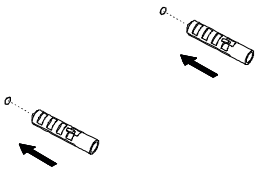
Drill the holes previously marked.



3

*Insert the anchors into the holes

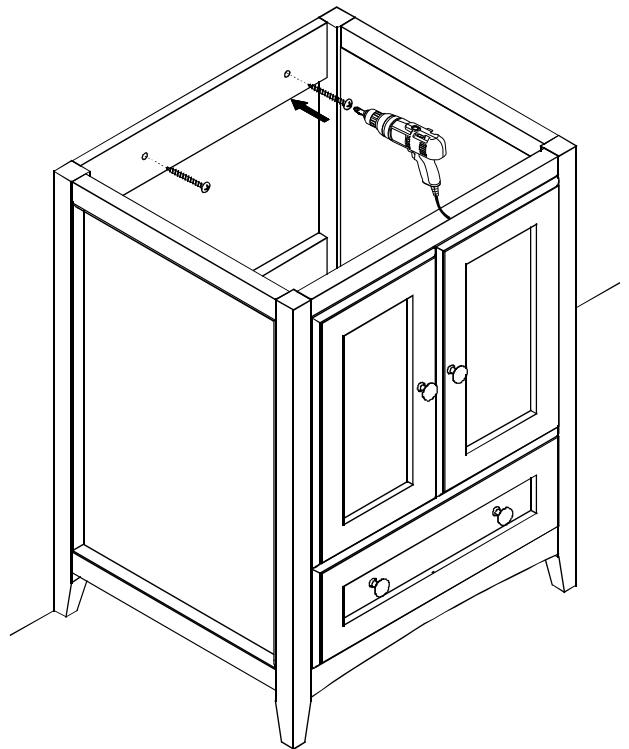
***NOTE:**
Only use anchors if stud is not available.



☞ Consult an expert for the proper screws/bolts to use when attaching to various wall constructions. Screws provided **do not attach** to all wall construction types.

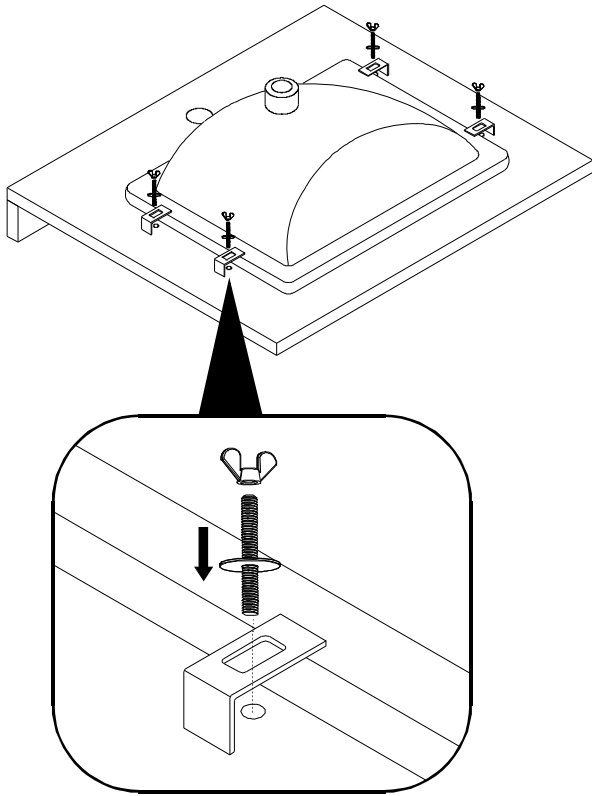
4

*Connect the cabinet to the wall using screws



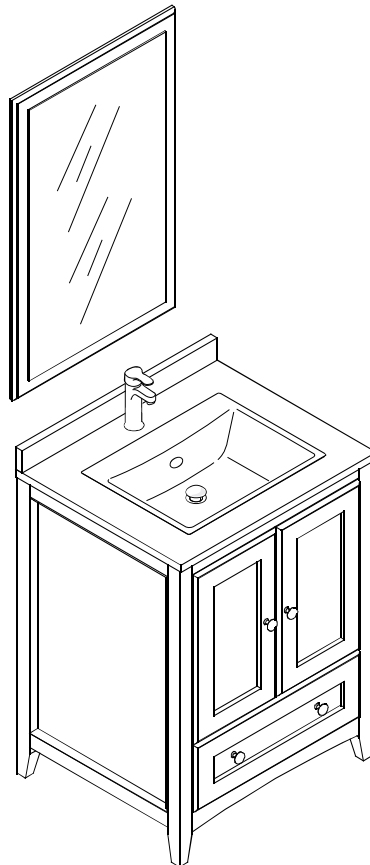
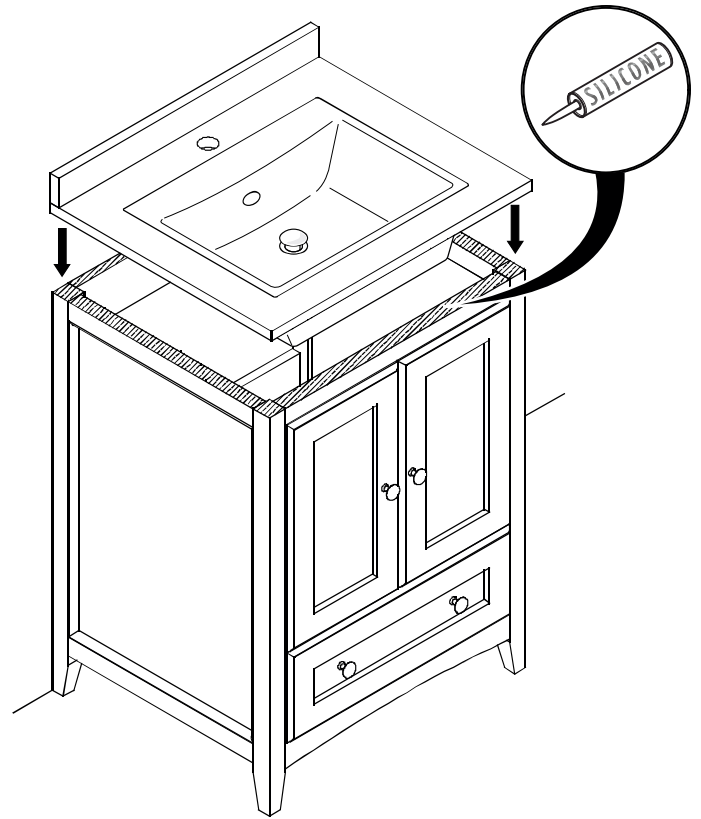
5

Flip the countertop upside down and attach the sink to it using a provided brackets & screws.



6

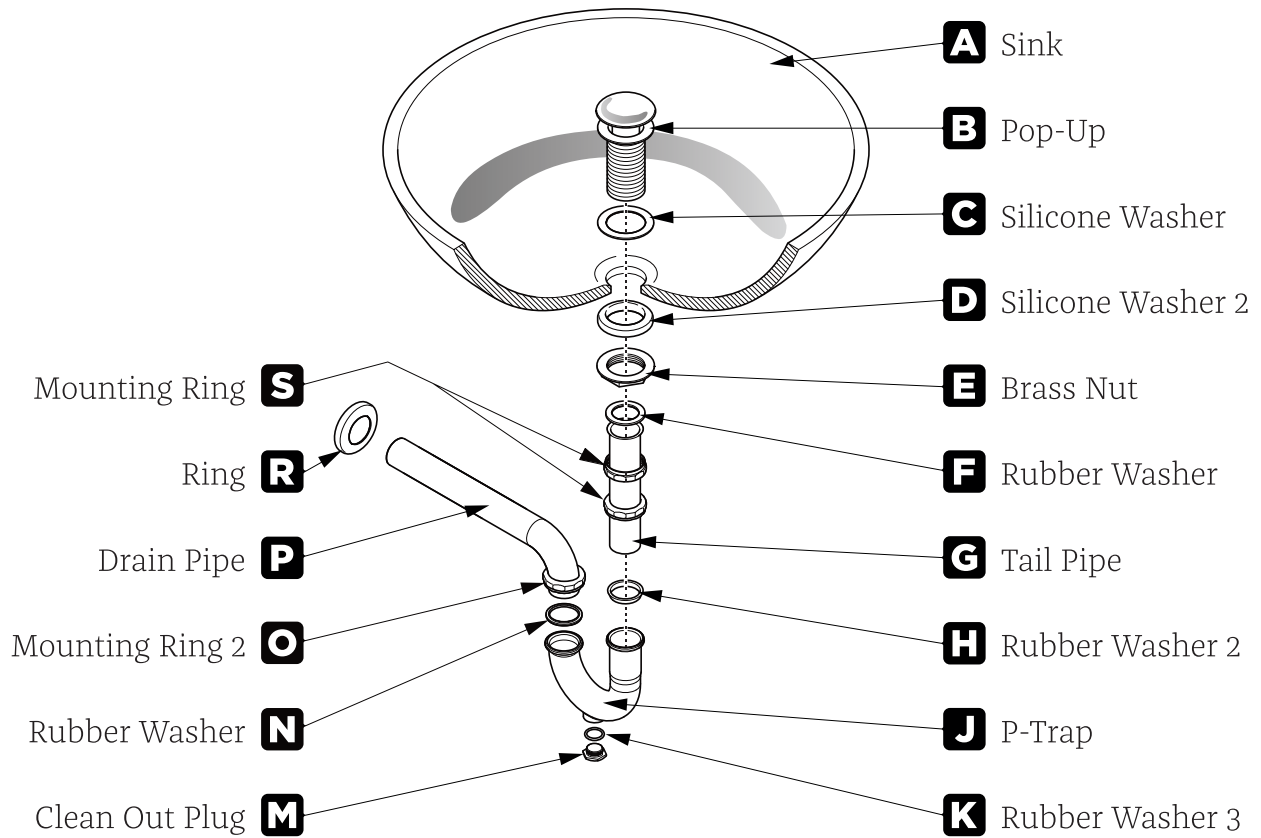
Apply silicone to the top of the cabinet and place the countertop with sink attached on it.



POP-UP & P-TRAP

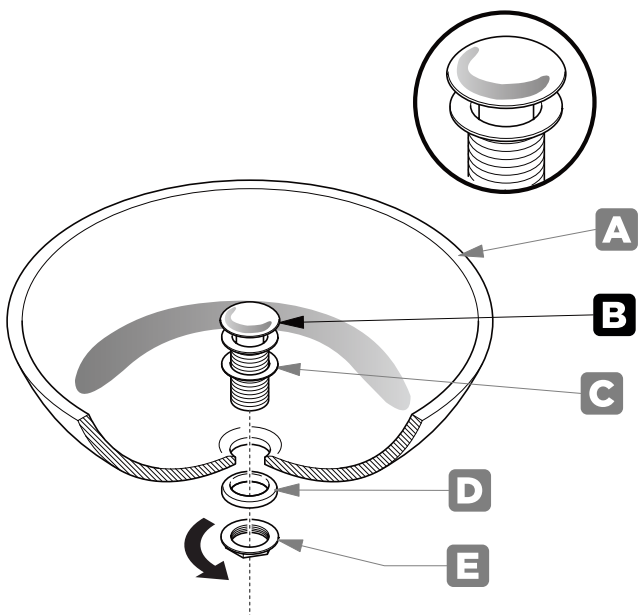
INSTALLATION INSTRUCTIONS

Your item may appear slightly different from the illustration.



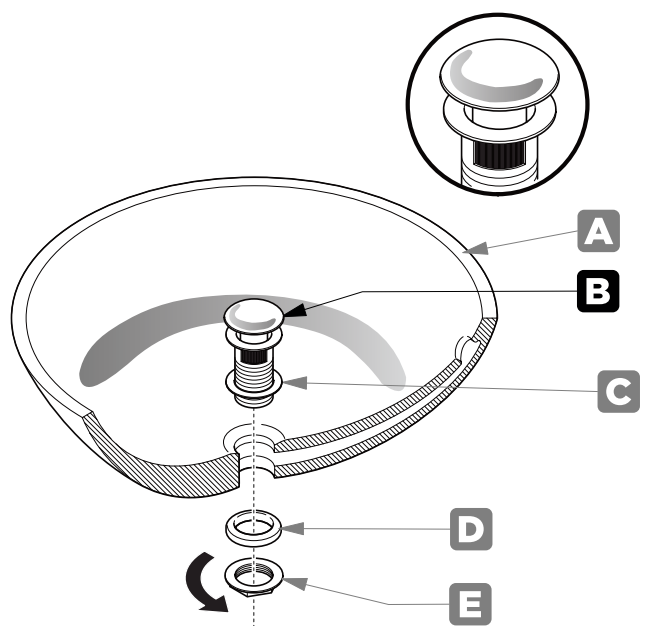
POP-UP INSTALLATION

FOR SINKS WITHOUT OVERFLOW



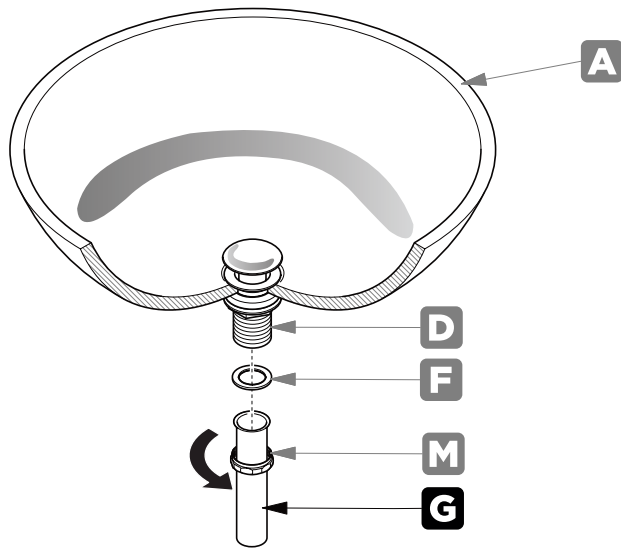
OR

FOR SINKS WITH OVERFLOW



P-TRAP INSTALLATION

1. Install tail pipe (G).



2. Install P-trap (J).

