



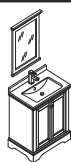
# WINDSOR

## INSTALLATION GUIDE

### FVN2430

## CONTENTS:

Mirror.....	FMR2424.....	PAGE 2
Cabinet.....	FCB2430.....	PAGE 3
Sink.....	FCT2030WH-CMB.....	PAGE 3

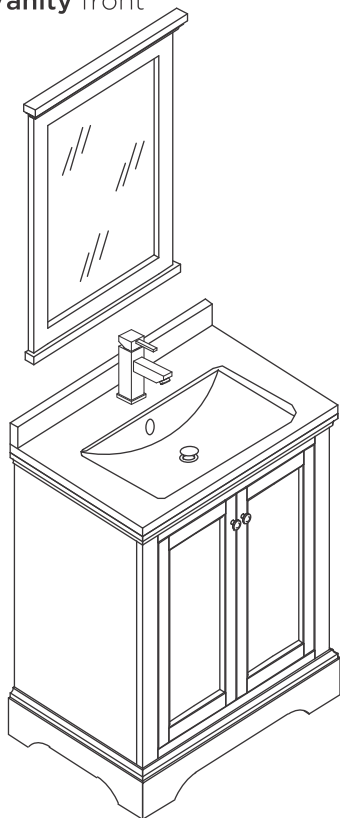


# FVN2430 WINDSOR

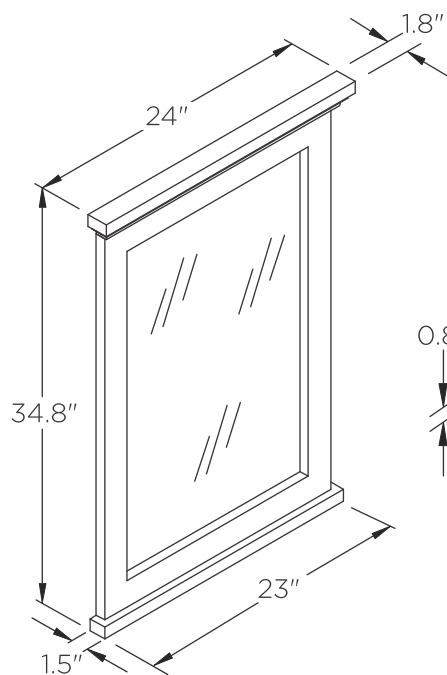
INSTALLATION GUIDE



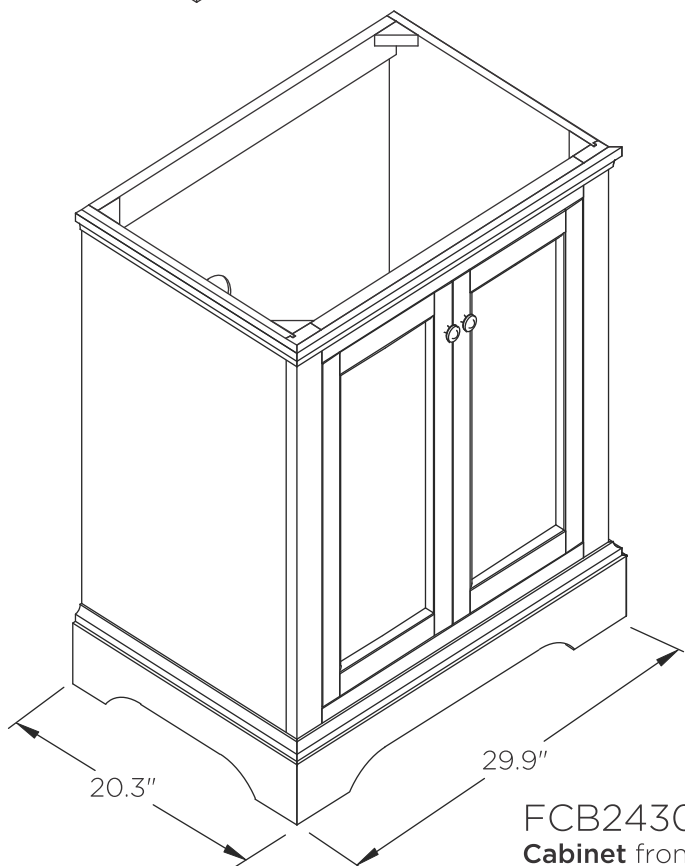
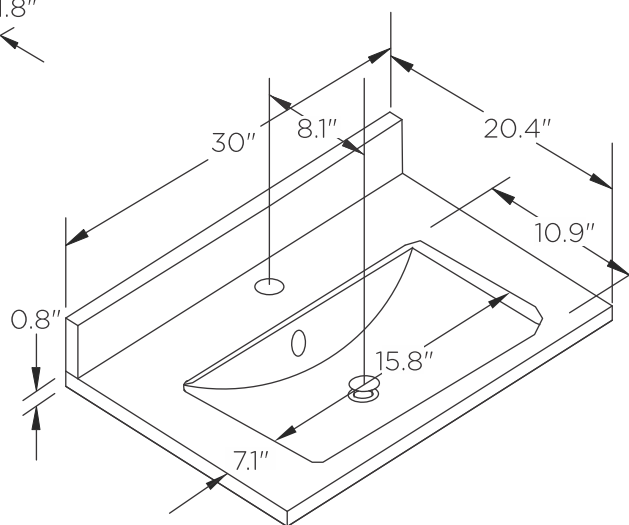
FVN2430  
Vanity front



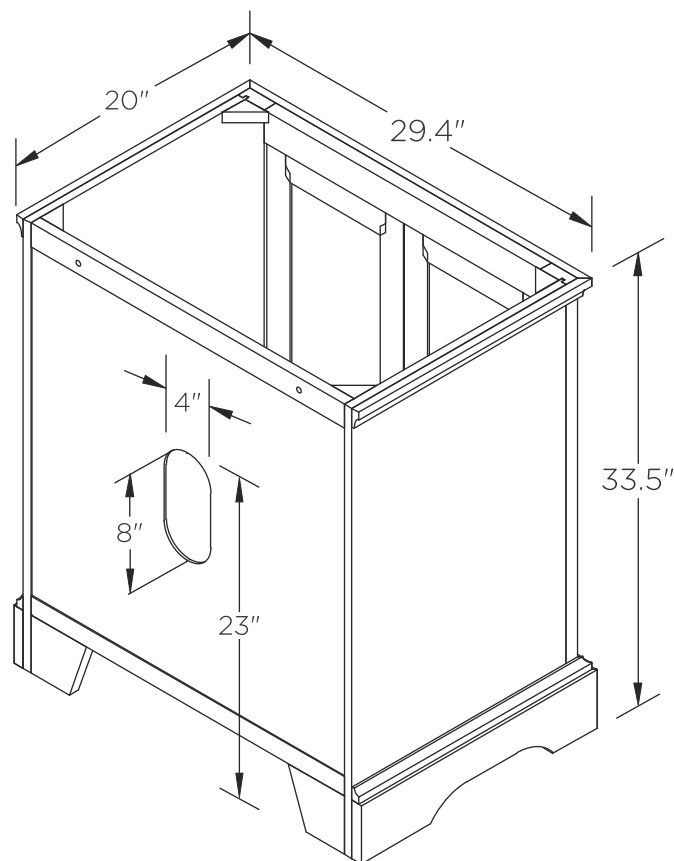
FMR2424  
Mirror front



FCT2030WH-CMB  
Counter Top front



FCB2430  
Cabinet front



FCB2430  
Cabinet back

**NOTE:** All dimensions & specifications are approximate and subject to change without notice.

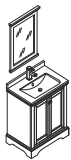


**FVN2430**

**WINDSOR**

**INSTALLATION GUIDE**

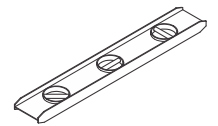
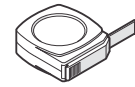
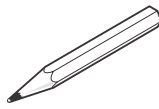
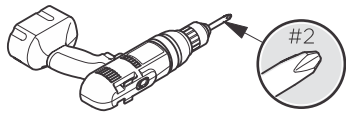
PAGE 1



# FVN2430 WINDSOR INSTALLATION GUIDE

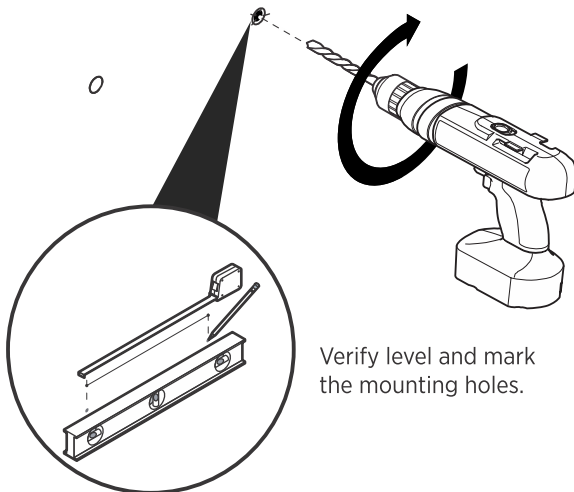


## TOOLS FOR ASSEMBLY



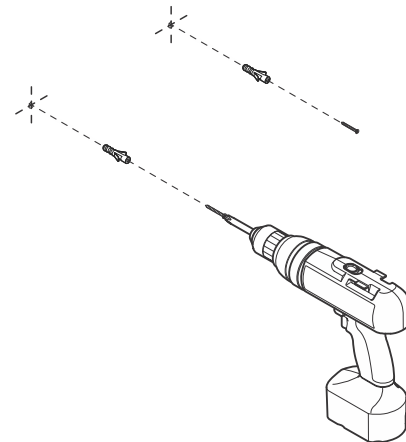
## MIRROR INSTALLATION

- 1** Measure distance between the holes and mark it on the wall using a level.



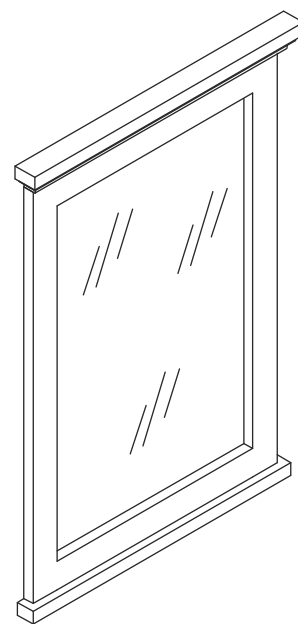
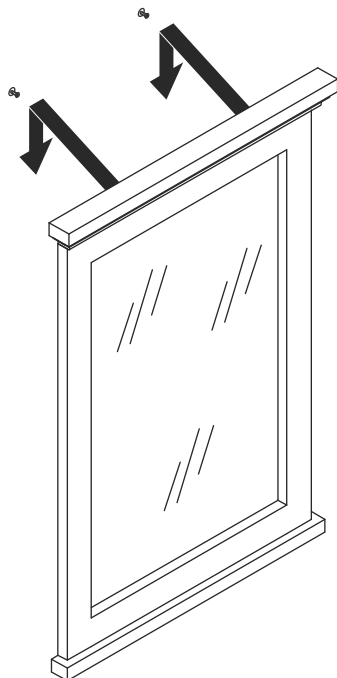
Verify level and mark the mounting holes.

- 2** Press the anchors into the holes.



**IMPORTANT:** Consult an expert for the proper screws/bolts to use when attaching to various constructions. Screws provided **do not** attach to all wall construction types. Anchors are not required if brackets are installed in stud.

- 3** Hang mirror on the screws.



**FVN2430**

**WINDSOR**

**INSTALLATION GUIDE**

PAGE 2



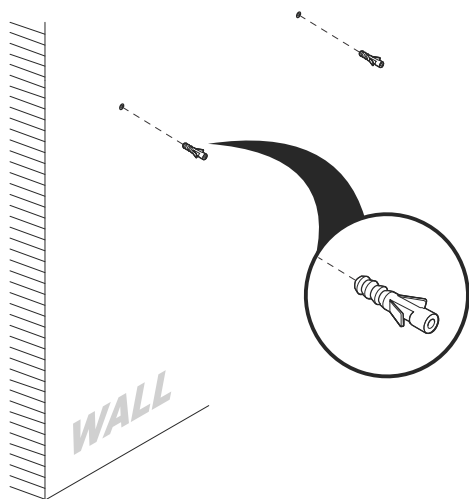
# FVN2430 WINDSOR

INSTALLATION GUIDE



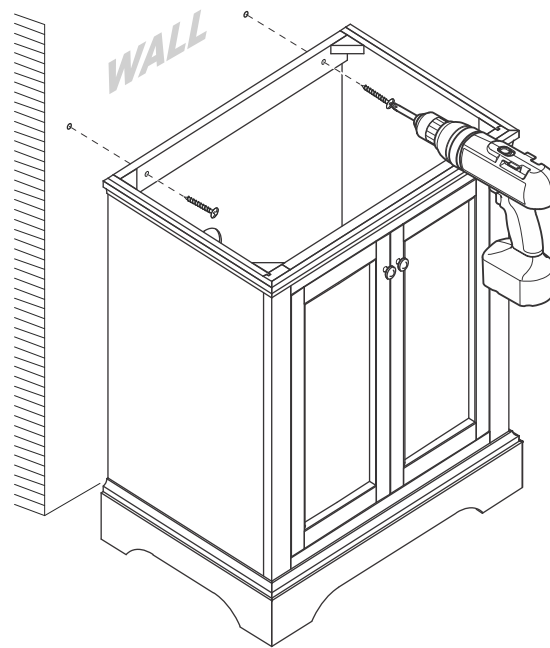
## CABINET INSTALLATION

- 1** Drill holes in the wall and insert the anchors.

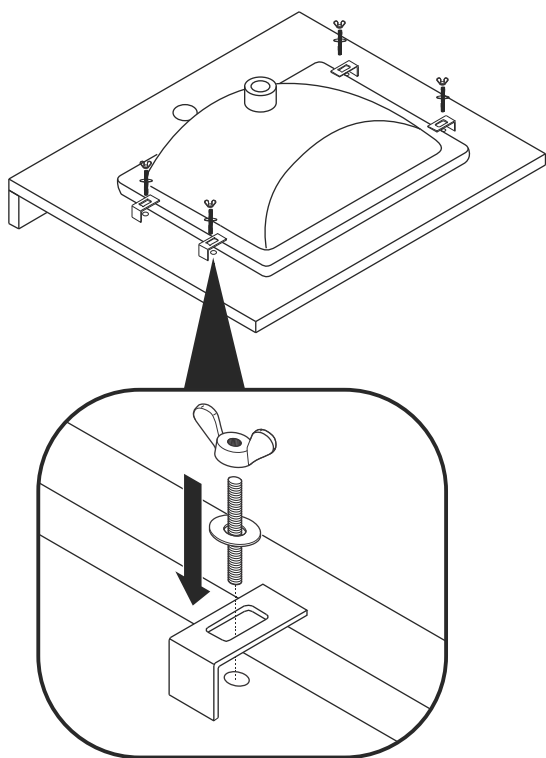


**IMPORTANT:** Consult an expert for the proper screws/bolts to use when attaching to various constructions. Screws provided do not attach to all wall construction types. Anchors are not required if brackets are installed in stud.

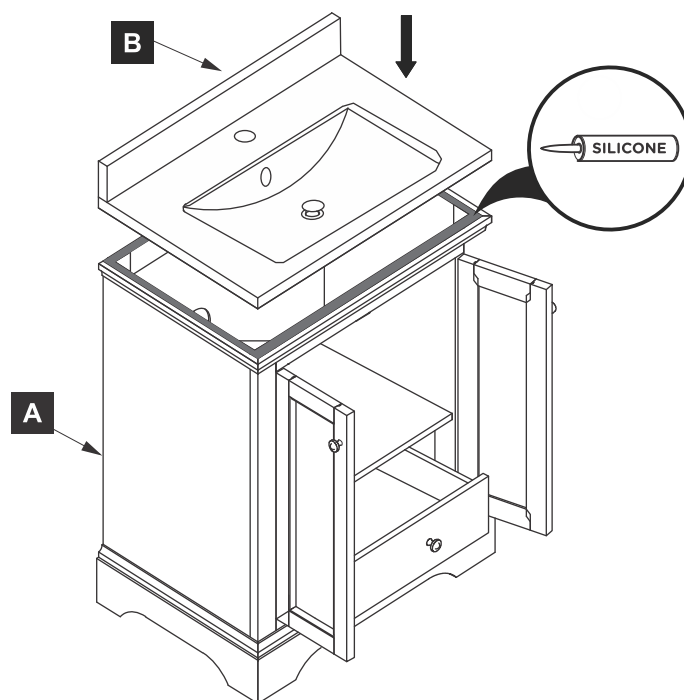
- 2** Mark anchor mounting hole locations on the wall as shown. Attach cabinet to the wall.



- 3** Flip counter top upside down and attach sink to it using provided brackets & screws.



- 4** Apply silicone to the top of the cabinet (A) and place counter top with sink (B) already attached to it.



**FVN2430**

**WINDSOR**

**INSTALLATION GUIDE**

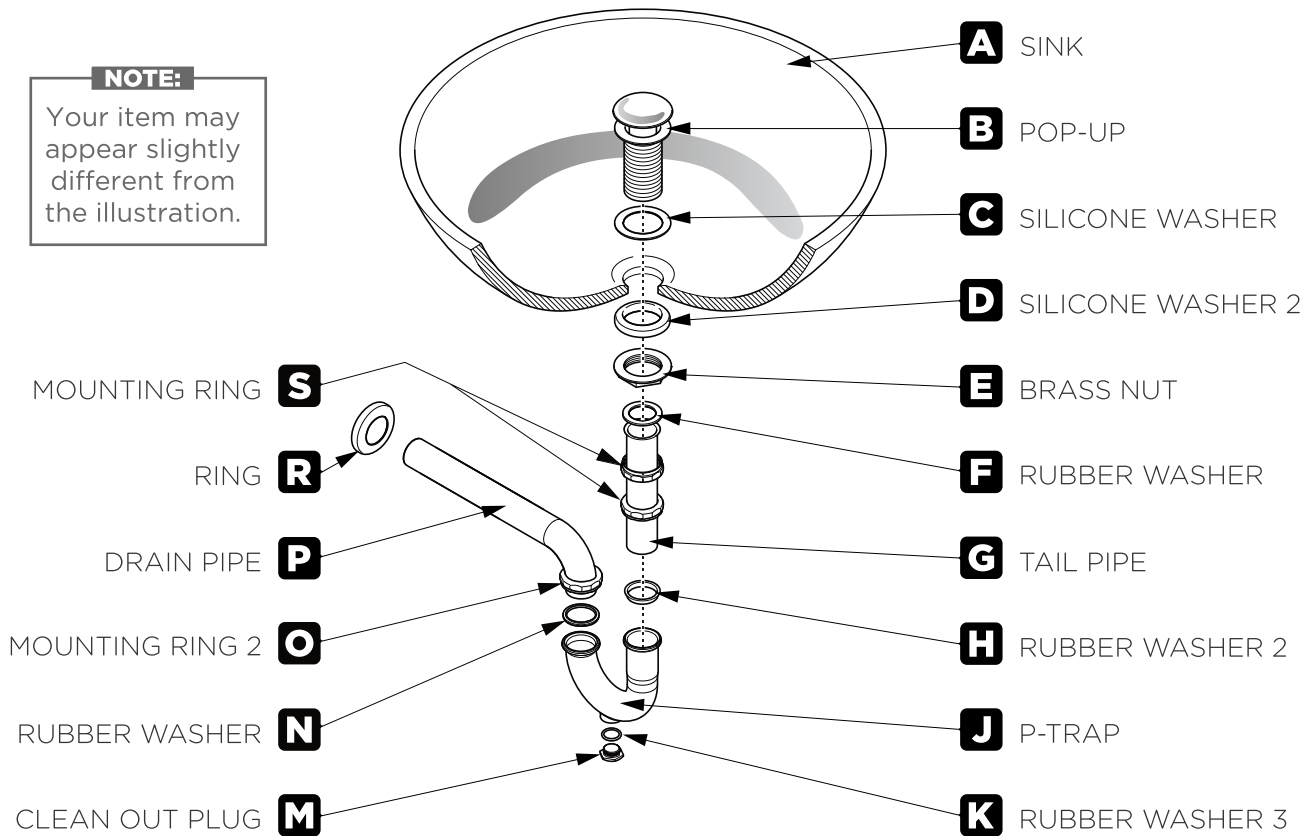
PAGE 3



**P-TRAP & POP-UP INSTALLATION INSTRUCTIONS**

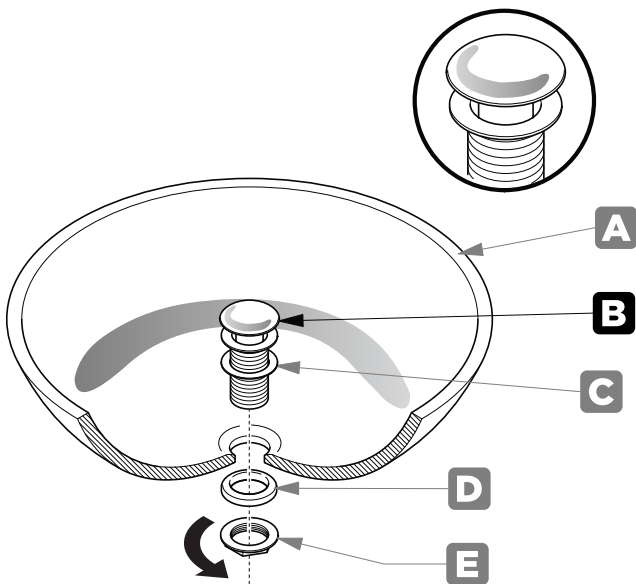
**NOTE:**

Your item may appear slightly different from the illustration.



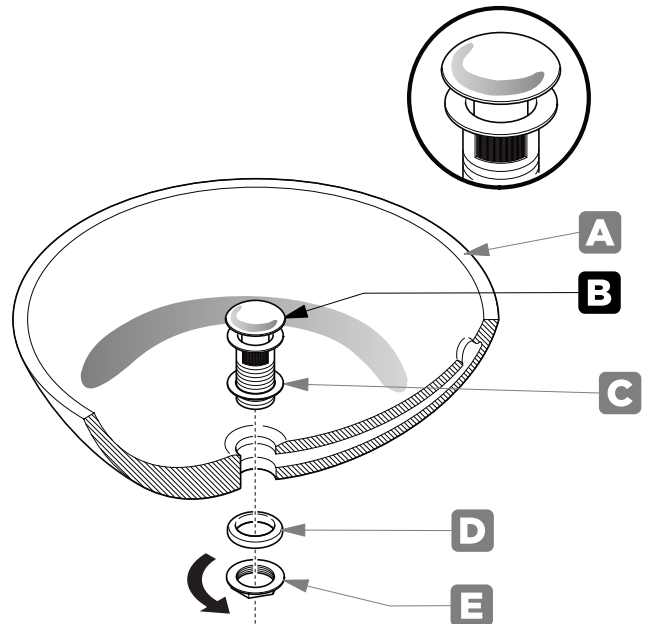
**POP-UP INSTALLATION INSTRUCTIONS**

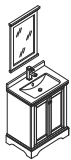
**FOR SINKS WITHOUT OVERFLOW**



**OR**

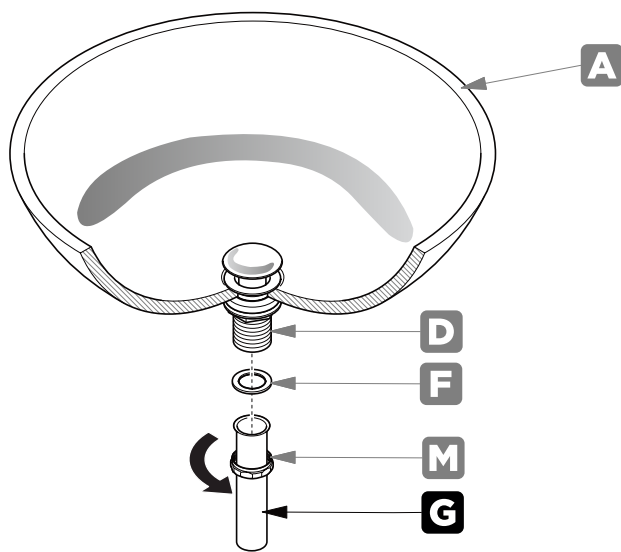
**FOR SINKS WITH OVERFLOW**





## P-TRAP INSTALLATION

**1** Install tail pipe (G)



**2** Install p-trap (J)

