



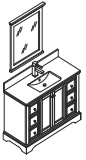
WINDSOR

INSTALLATION GUIDE

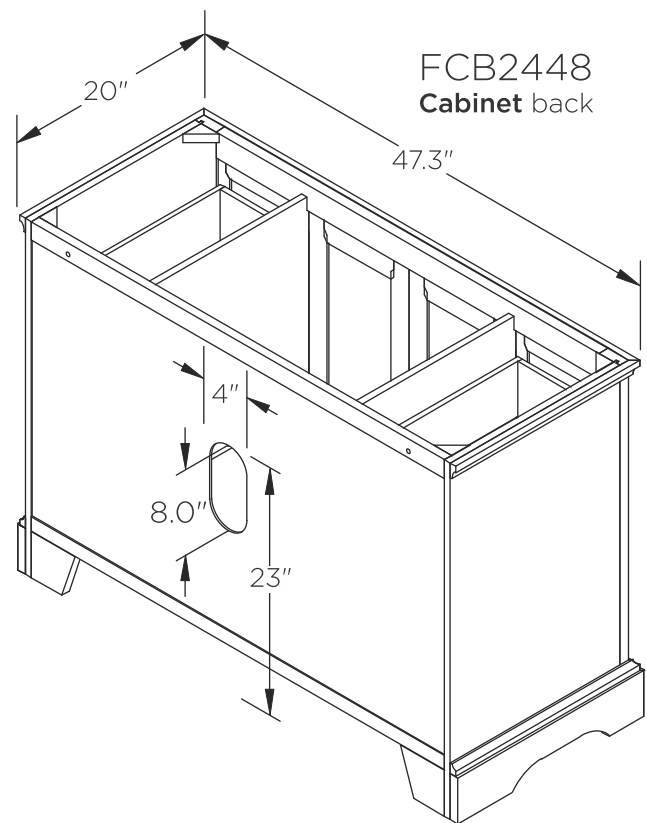
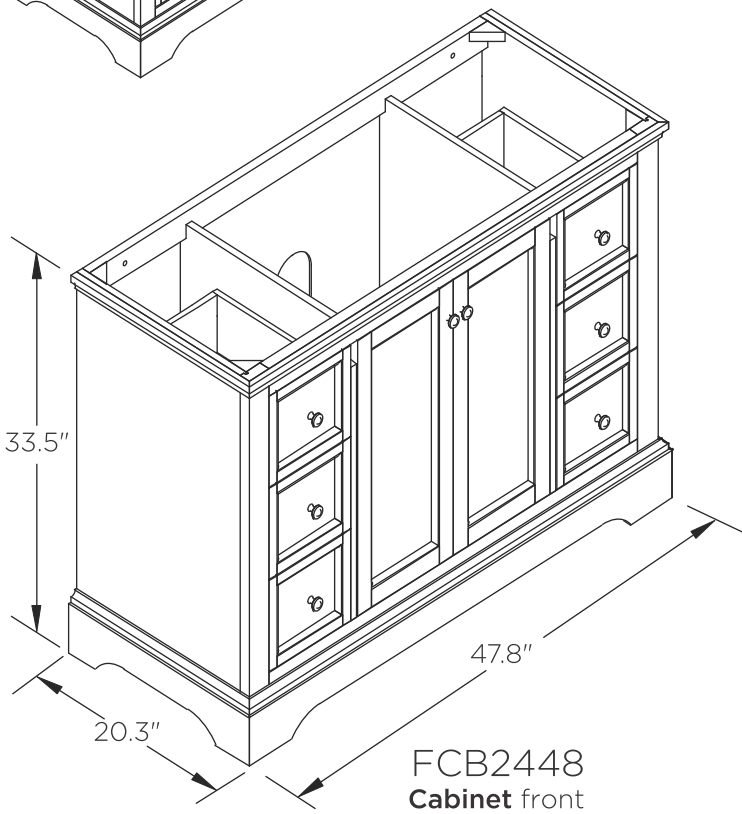
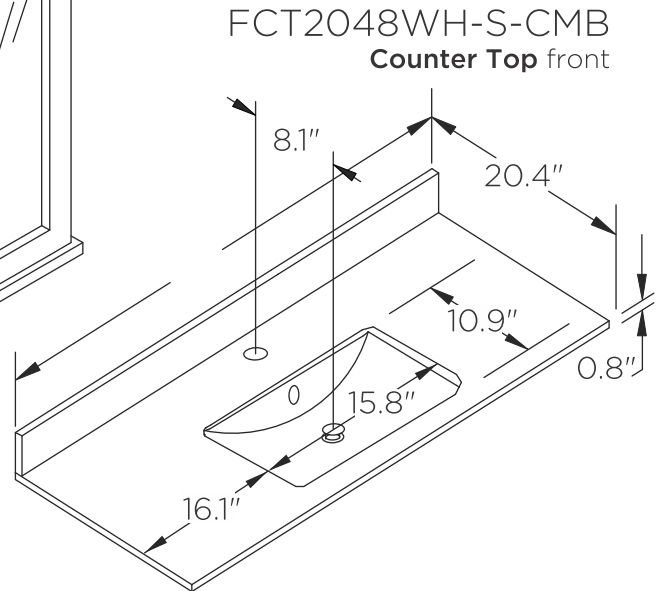
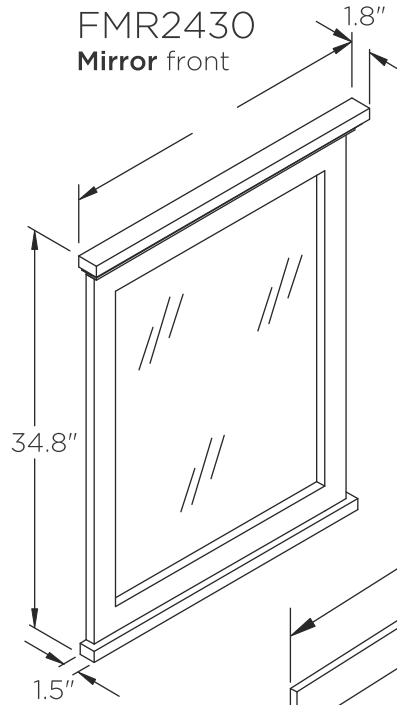
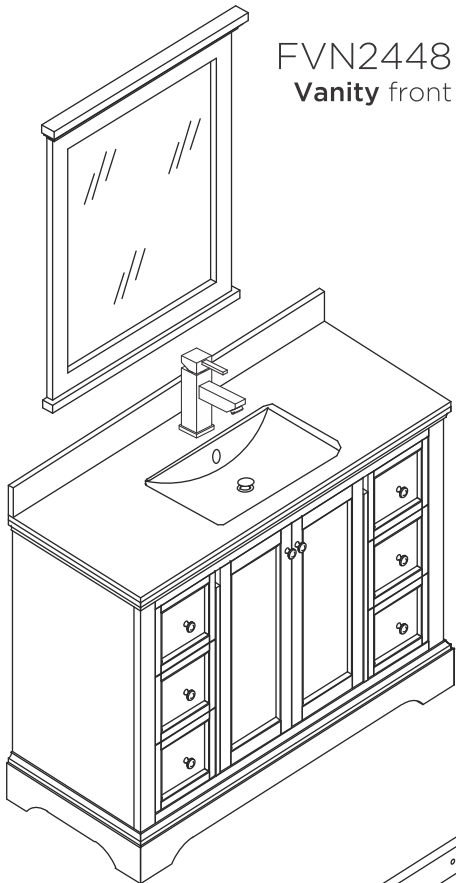
FVN2448

CONTENTS:

Mirror.....	FMR2430.....	PAGE 2
Cabinet.....	FCB2448.....	PAGE 3
Sink.....	FCT2048WH-S-CMB.....	PAGE 3



FVN2448 WINDSOR INSTALLATION GUIDE



NOTE: All dimensions & specifications are approximate and subject to change without notice.

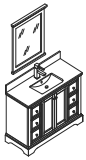


FVN2448

WINDSOR

INSTALLATION GUIDE

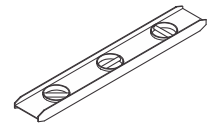
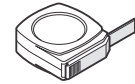
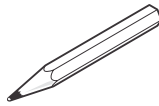
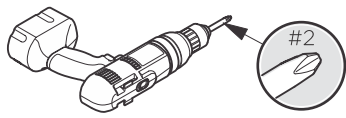
PAGE 1



FVN2448 WINDSOR INSTALLATION GUIDE



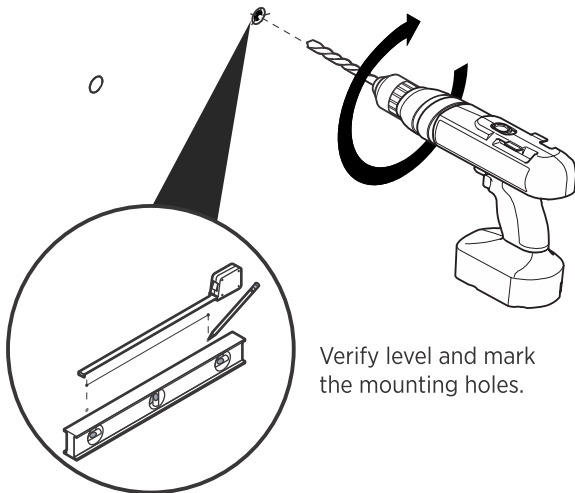
TOOLS FOR ASSEMBLY



1/4" & 3/8" Drill Bit

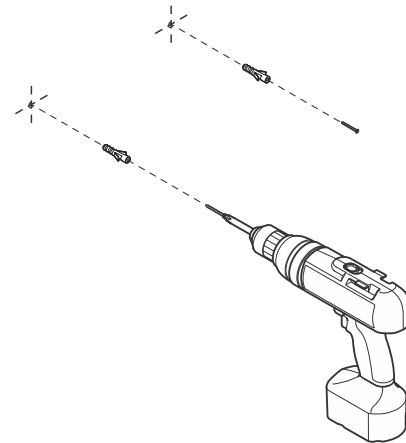
MIRROR INSTALLATION

- 1** Measure distance between the holes and mark it on the wall using a level.



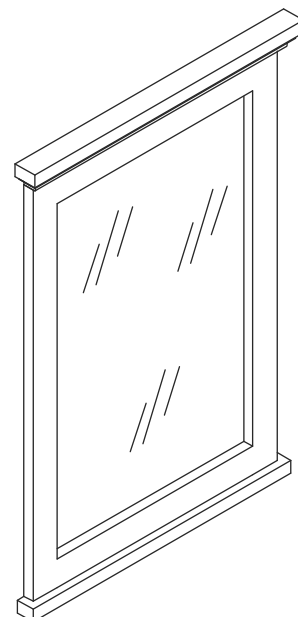
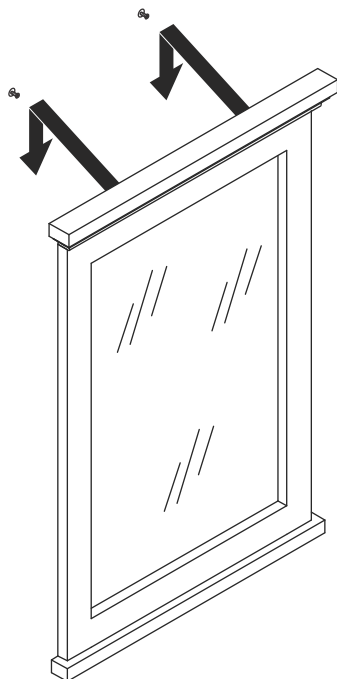
Verify level and mark the mounting holes.

- 2** Press the anchors into the holes.



IMPORTANT: Consult an expert for the proper screws/bolts to use when attaching to various constructions. Screws provided do not attach to all wall construction types. Anchors are not required if brackets are installed in stud.

- 3** Hang mirror on the screws.

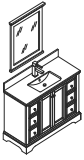


FVN2448

WINDSOR

INSTALLATION GUIDE

PAGE 2

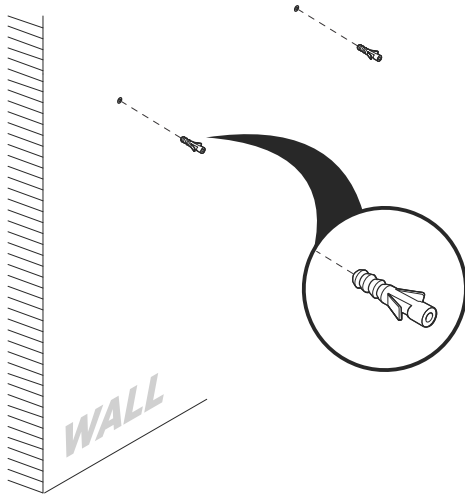


FVN2448 WINDSOR INSTALLATION GUIDE



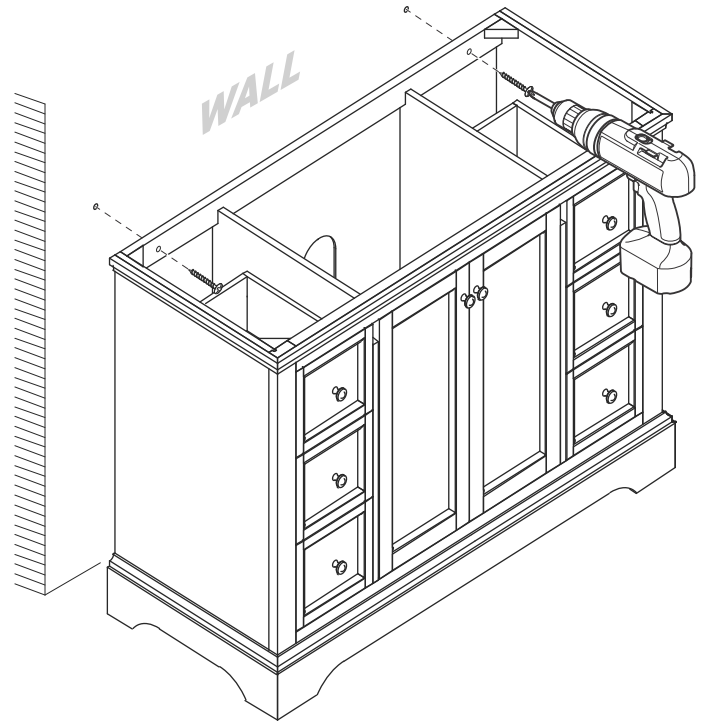
CABINET INSTALLATION

1 Drill holes in the wall and insert the anchors.

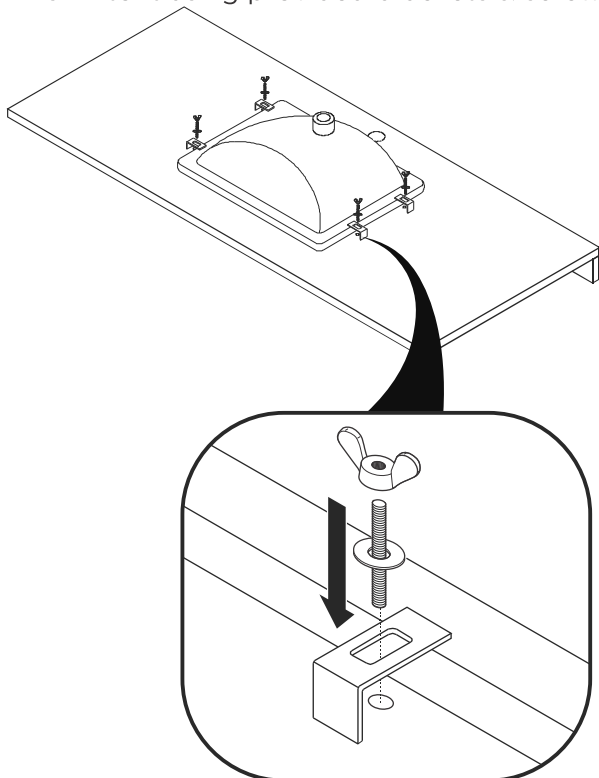


IMPORTANT: Consult an expert for the proper screws/bolts to use when attaching to various constructions. Screws provided do not attach to all wall construction types. Anchors are not required if brackets are installed in stud.

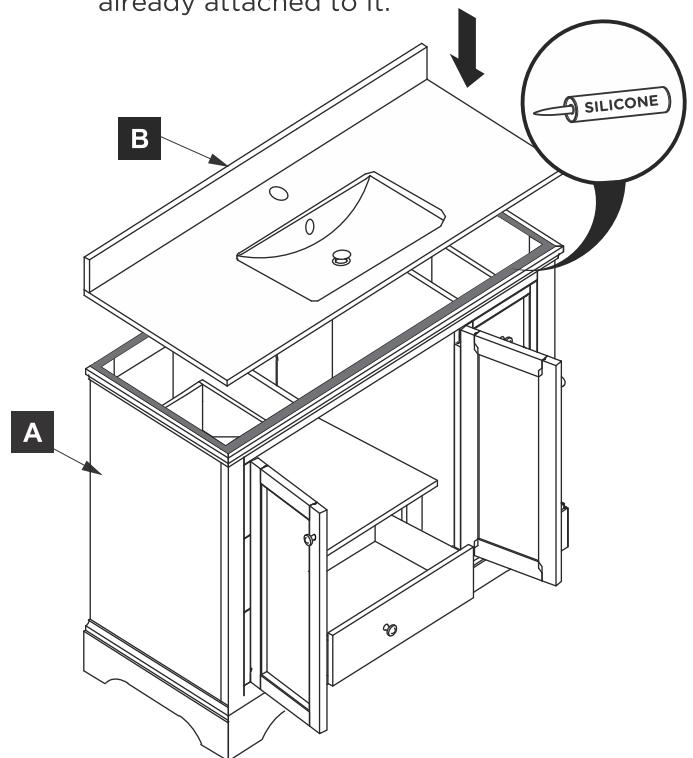
2 Mark anchor mounting hole locations on the wall as shown.



3 Flip counter top upside down and attach sink to it using provided brackets & screws.



4 Apply silicone to the top of the cabinet (A) and place counter top with sink (B) already attached to it.

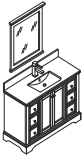


FVN2448

WINDSOR

INSTALLATION GUIDE

PAGE 3



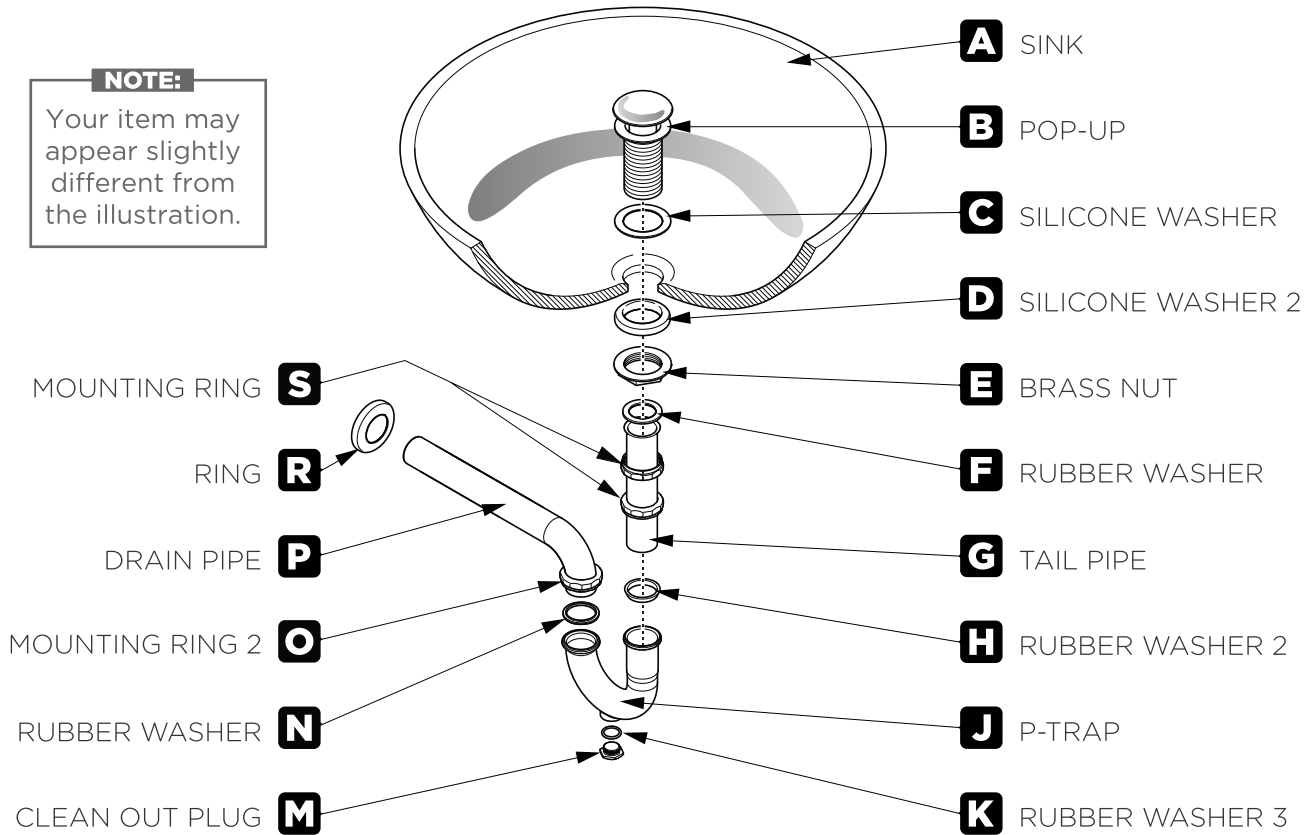
FVN2448 WINDSOR

INSTALLATION GUIDE



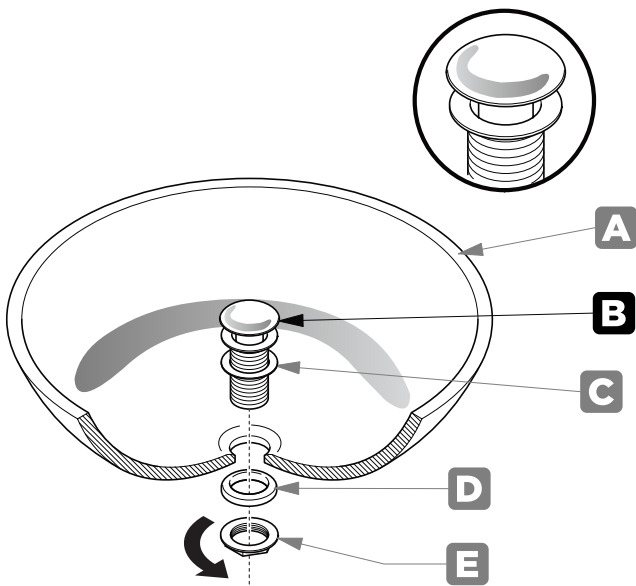
P-TRAP & POP-UP INSTALLATION INSTRUCTIONS

NOTE:
Your item may appear slightly different from the illustration.



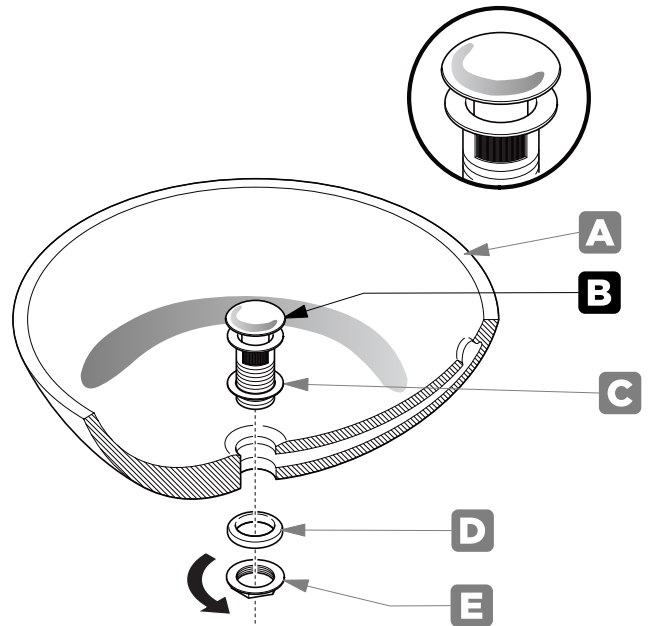
POP-UP INSTALLATION INSTRUCTIONS

FOR SINKS WITHOUT OVERFLOW



OR

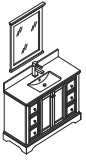
FOR SINKS WITH OVERFLOW



FVN2448

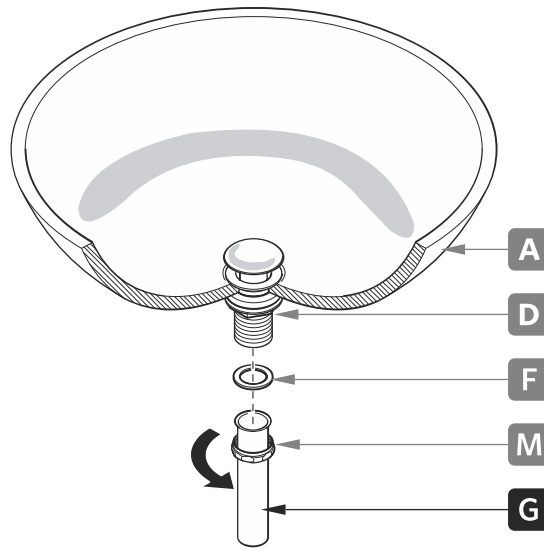
WINDSOR

INSTALLATION GUIDE



P-TRAP INSTALLATION

1 Install tail pipe (G)



2 Install p-trap (J)

