



WINDSOR

INSTALLATION GUIDE

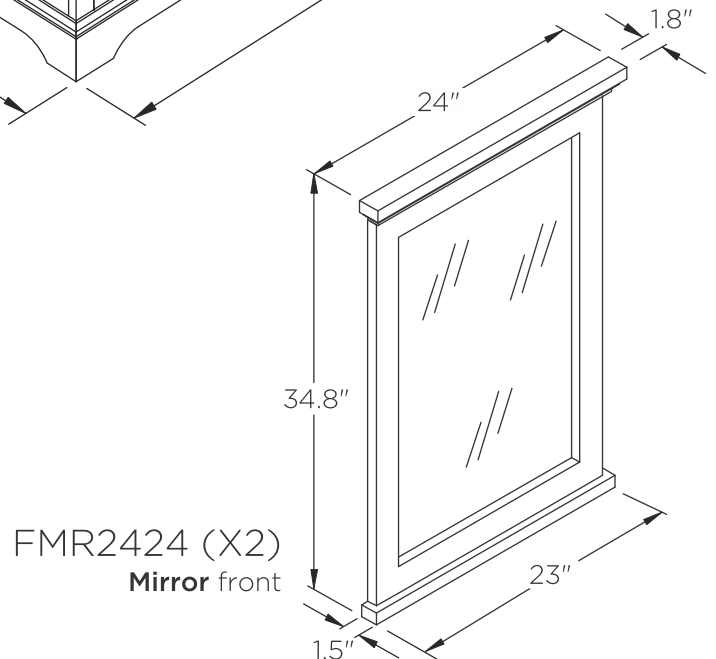
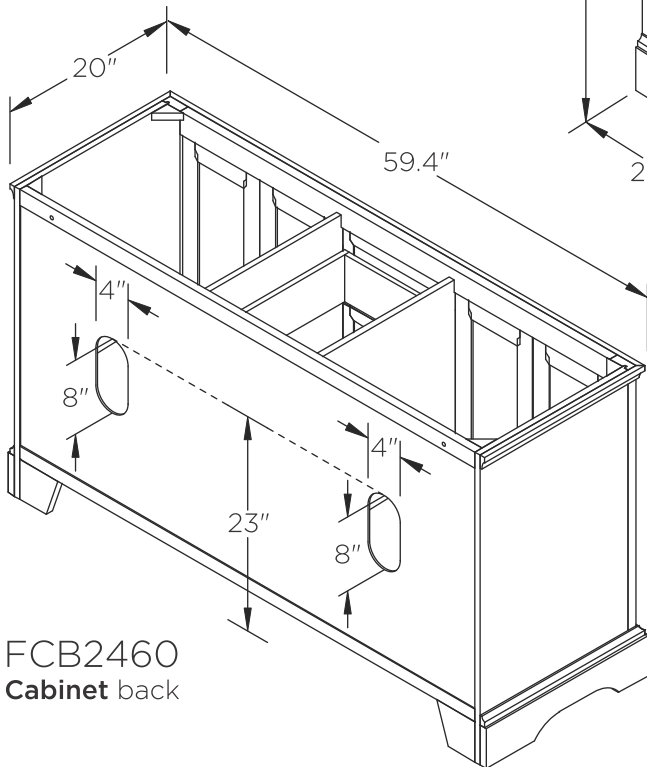
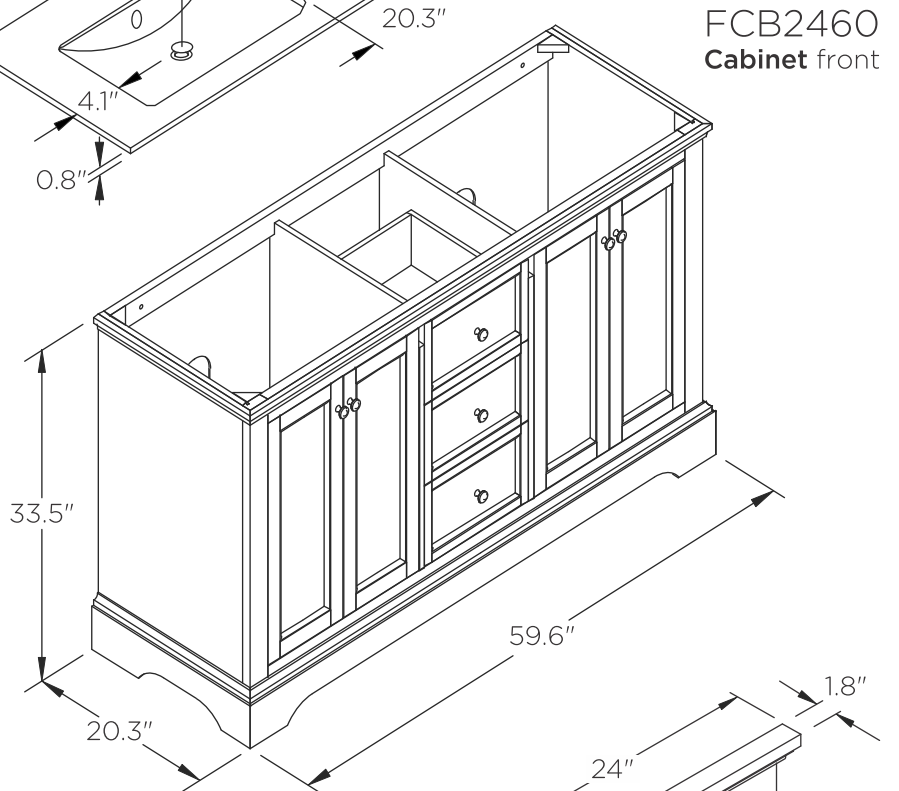
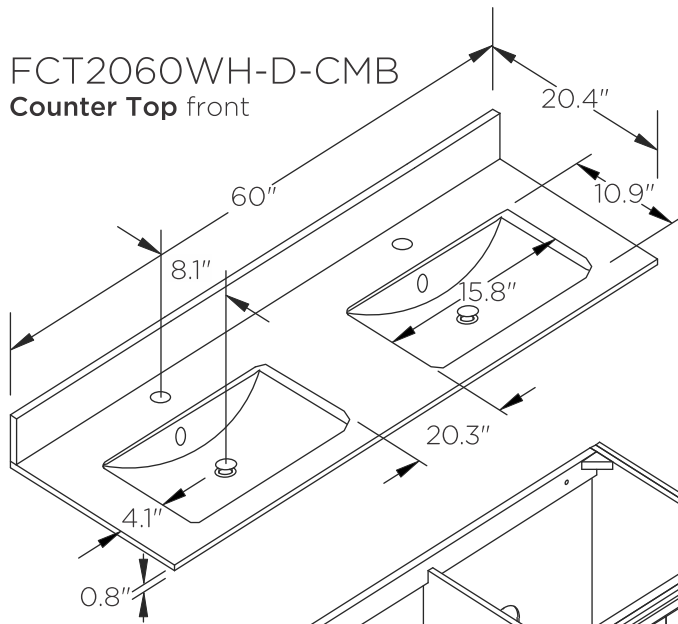
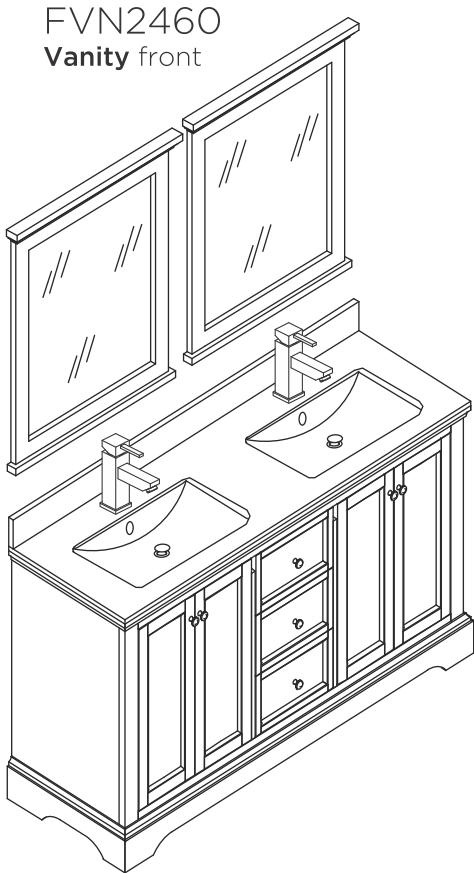
FVN2460

CONTENTS:

Mirror	FMR2424.....	PAGE 2
Cabinet	FCB2460.....	PAGE 3
Sink	FCT2060WH-D-CMB.....	PAGE 3



FVN2460 WINDSOR INSTALLATION GUIDE



NOTE: All dimensions & specifications are approximate and subject to change without notice.



FVN2460

WINDSOR

INSTALLATION GUIDE

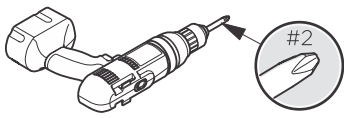
PAGE 1



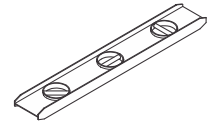
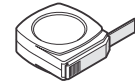
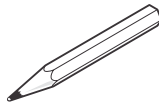
FVN2460 WINDSOR INSTALLATION GUIDE



TOOLS FOR ASSEMBLY

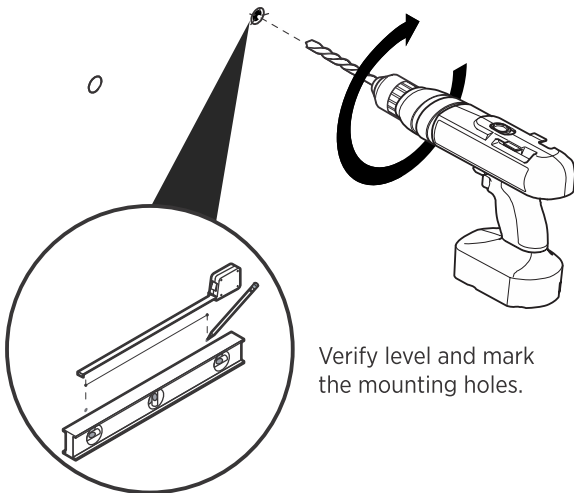


1/4" & 3/8" Drill Bit



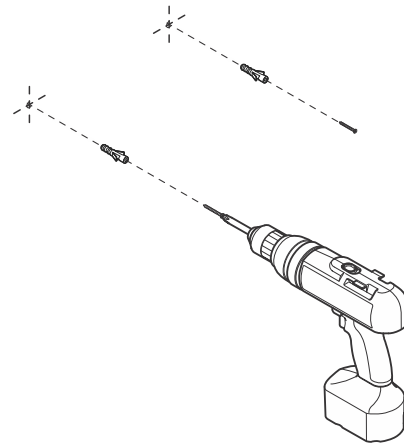
MIRROR INSTALLATION

- 1** Measure distance between the holes and mark it on the wall using a level.



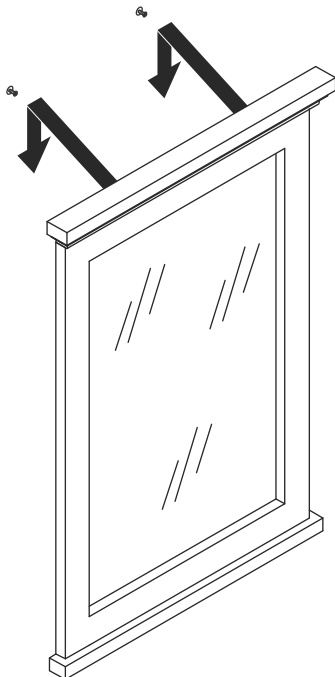
Verify level and mark the mounting holes.

- 2** Press the anchors into the holes.

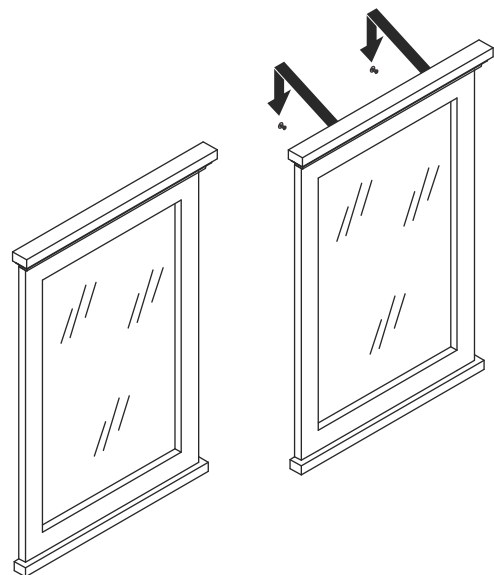


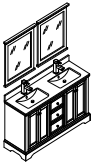
IMPORTANT: Consult an expert for the proper screws/bolts to use when attaching to various constructions. Screws provided do not attach to all wall construction types. Anchors are not required if brackets are installed in stud.

- 3** Hang mirror on the screws.



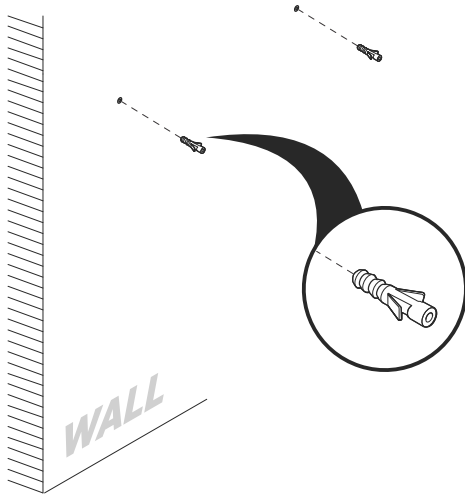
- 4** Repeat the step 1 to the step 3 for the second mirror.





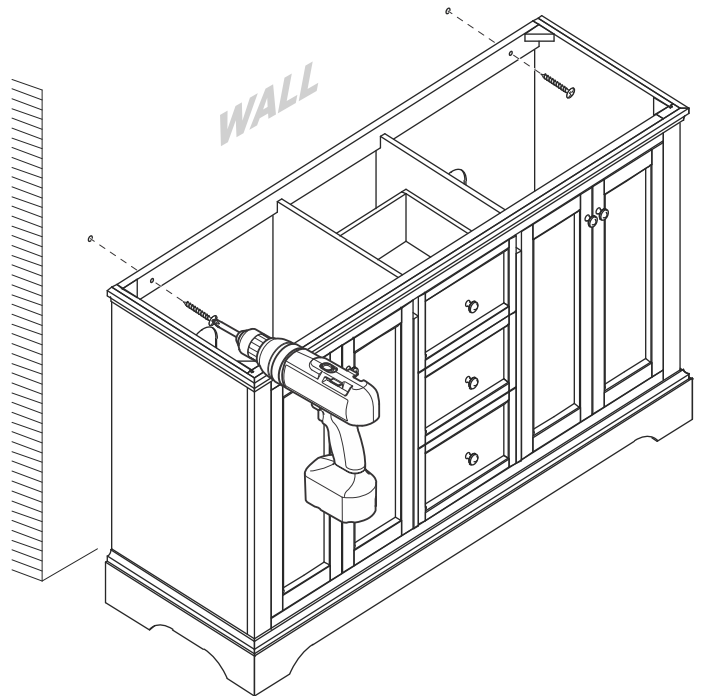
CABINET INSTALLATION

- 1** Drill holes in the wall and insert the anchors.

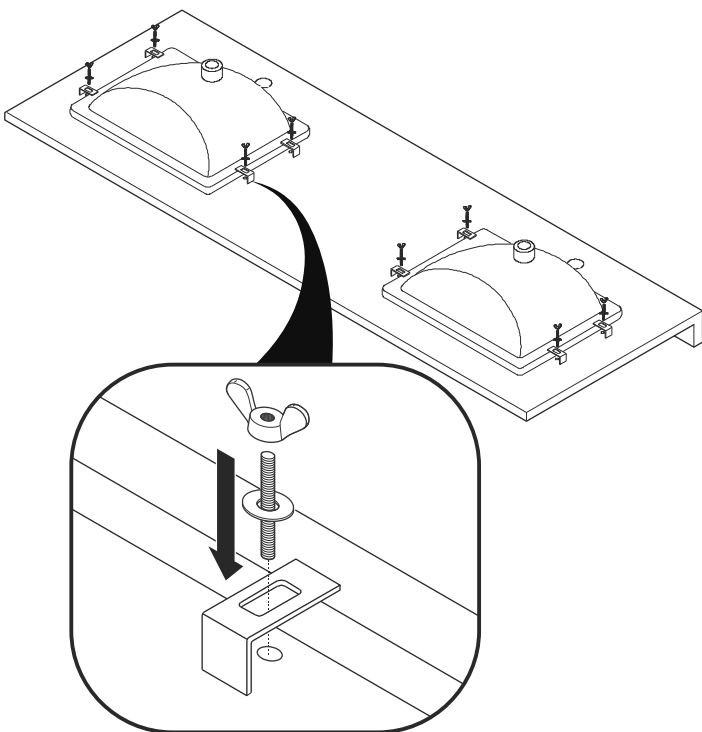


IMPORTANT: Consult an expert for the proper screws/bolts to use when attaching to various constructions. Screws provided do not attach to all wall construction types. Anchors are not required if brackets are installed in stud.

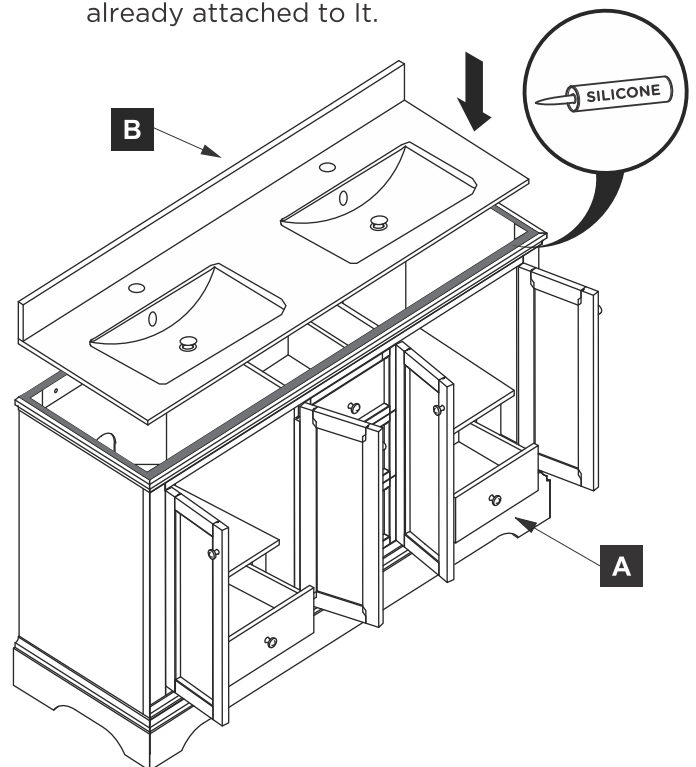
- 2** Mark anchor mounting hole locations on the wall as shown.



- 3** Flip counter top upside down and attach sink to it using provided brackets & screws.



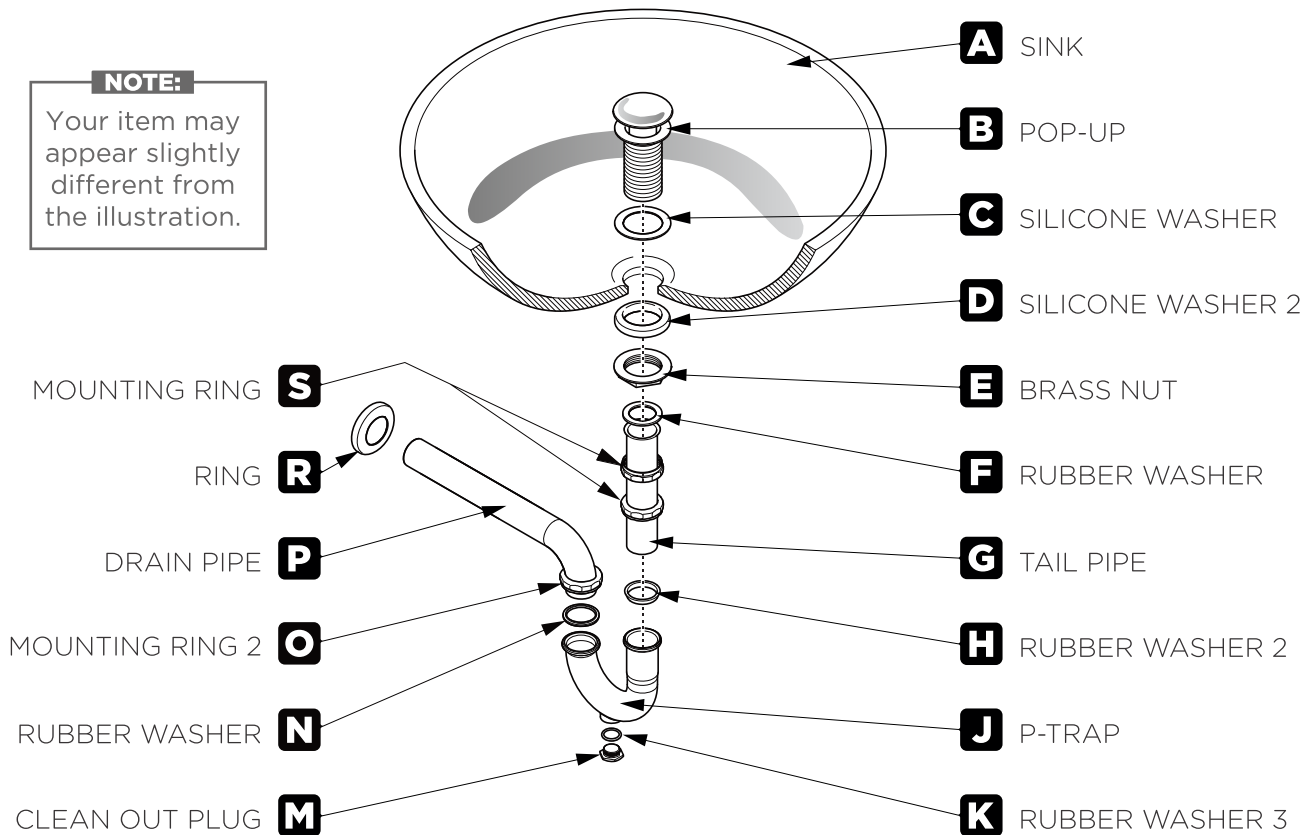
- 4** Apply silicone to the top of the cabinet (A) and place counter top with sink (B) already attached to it.





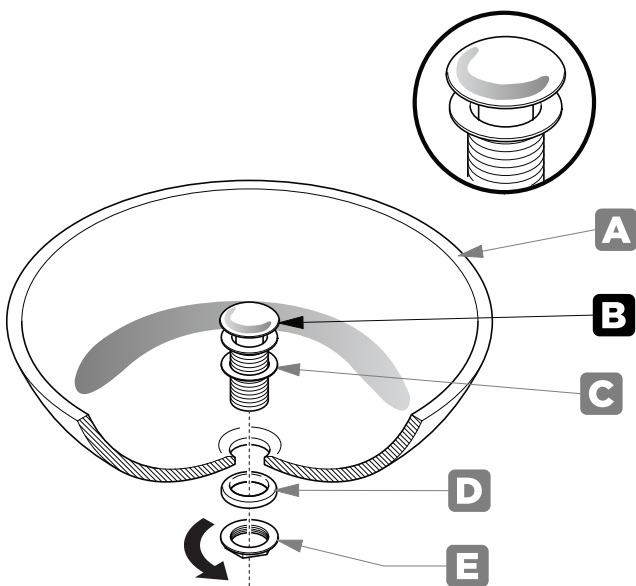
P-TRAP & POP-UP INSTALLATION INSTRUCTIONS

NOTE:
Your item may appear slightly different from the illustration.



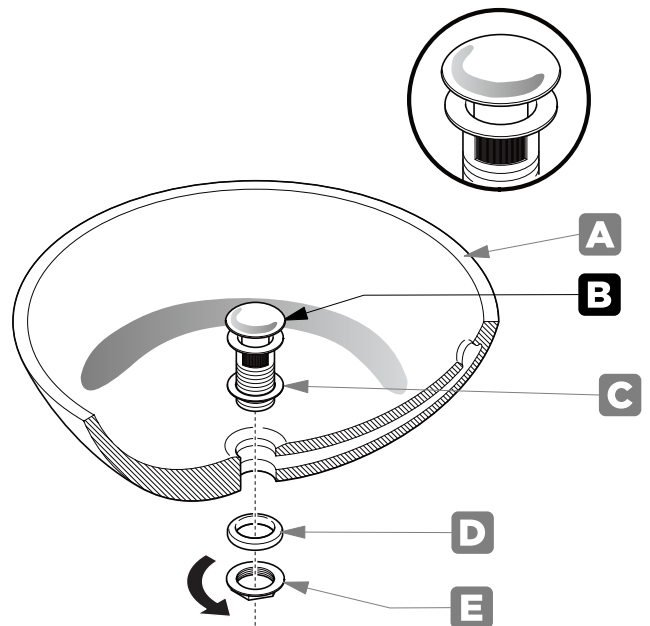
POP-UP INSTALLATION INSTRUCTIONS

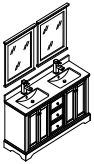
FOR SINKS
WITHOUT OVERFLOW



OR

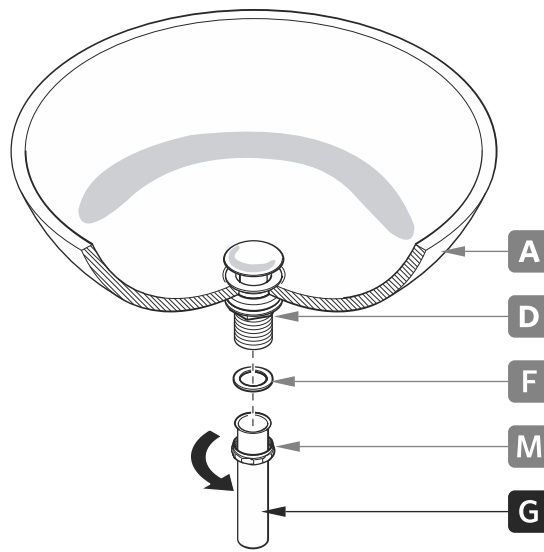
FOR SINKS
WITH OVERFLOW





P-TRAP INSTALLATION

1 Install tail pipe (G)



2 Install p-trap (J)

