



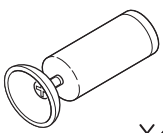
# FVN3314

## CONTENTO

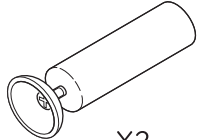
### INSTALLATION GUIDE



### PARTS:



X4



X2



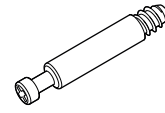
X3



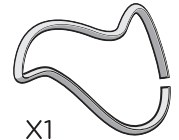
X6



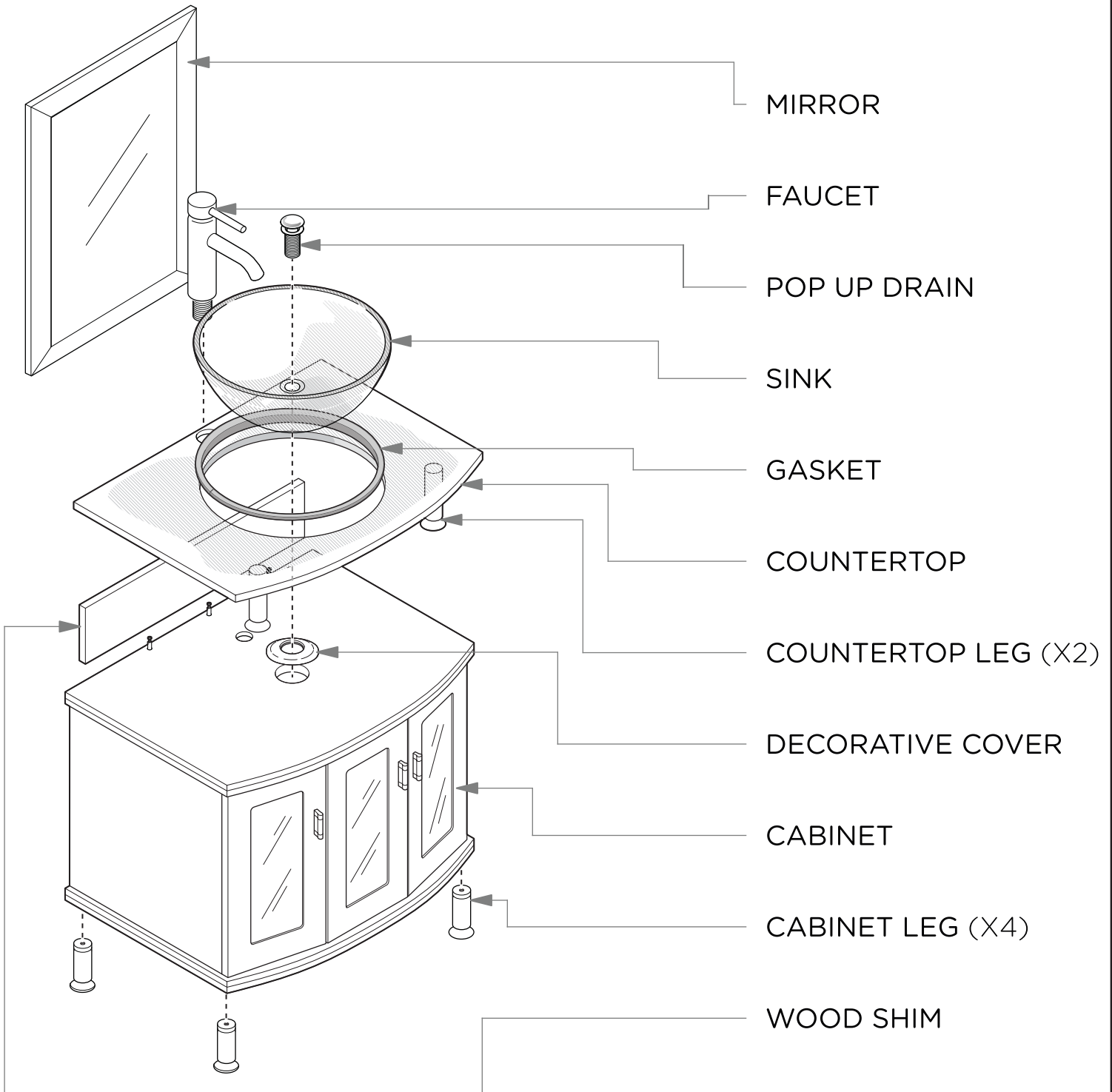
X1



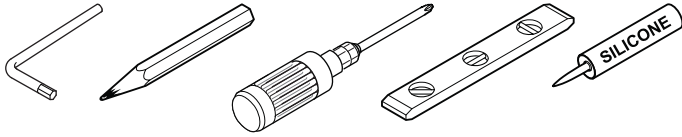
X3



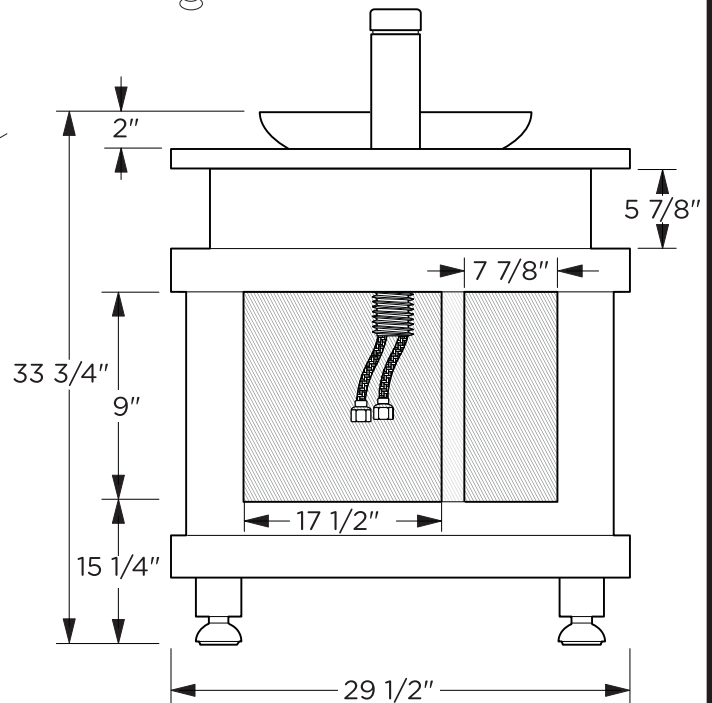
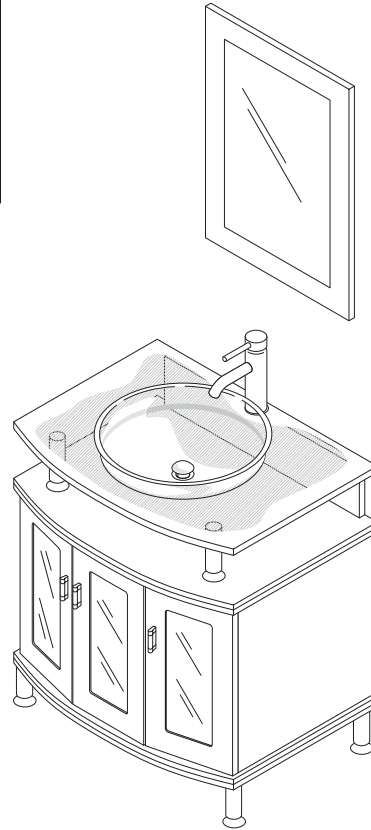
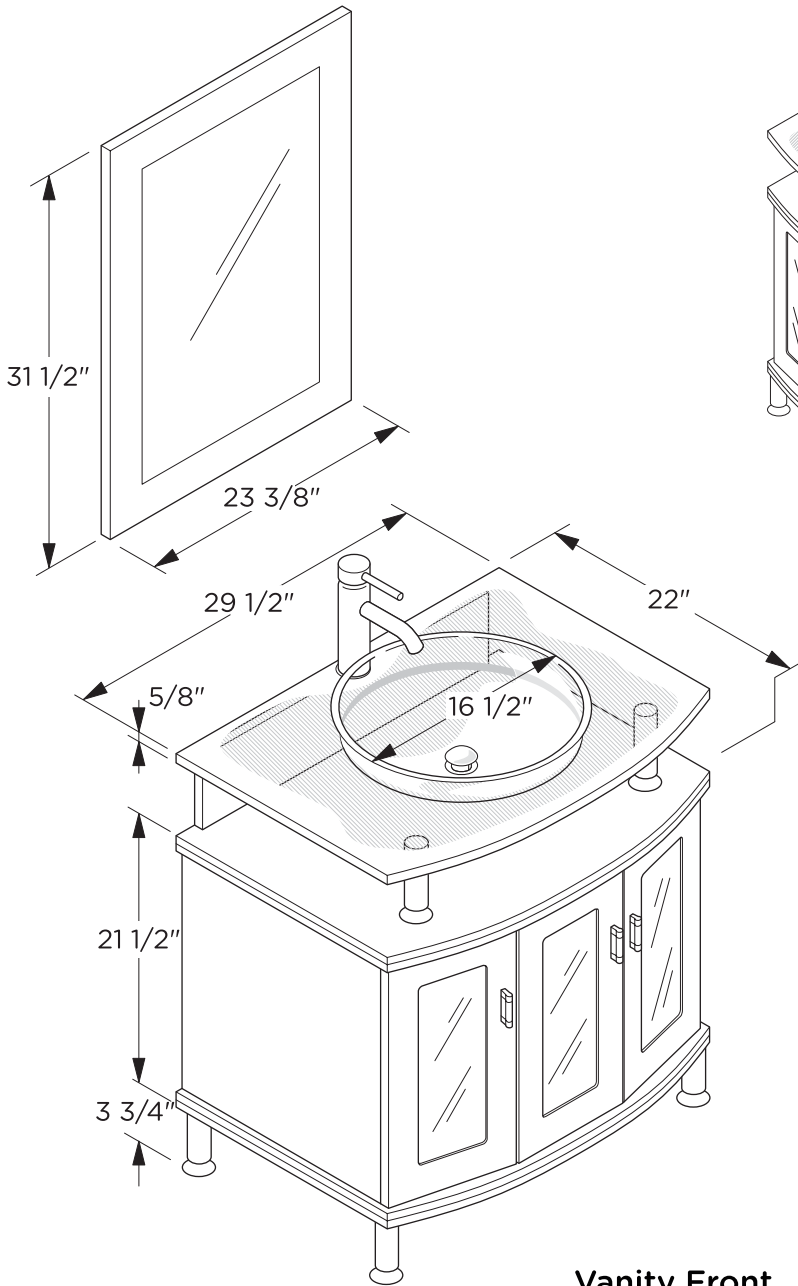
X1



## TOOLS REQUIRED FOR ASSEMBLY



## DIMENSIONS:

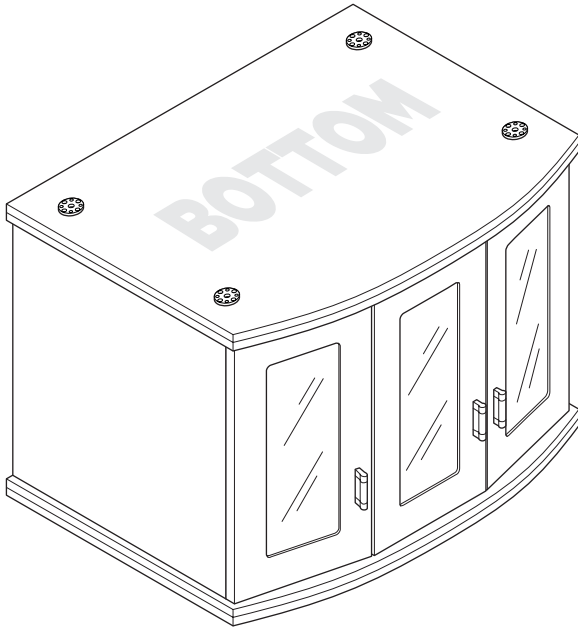


**Note:**

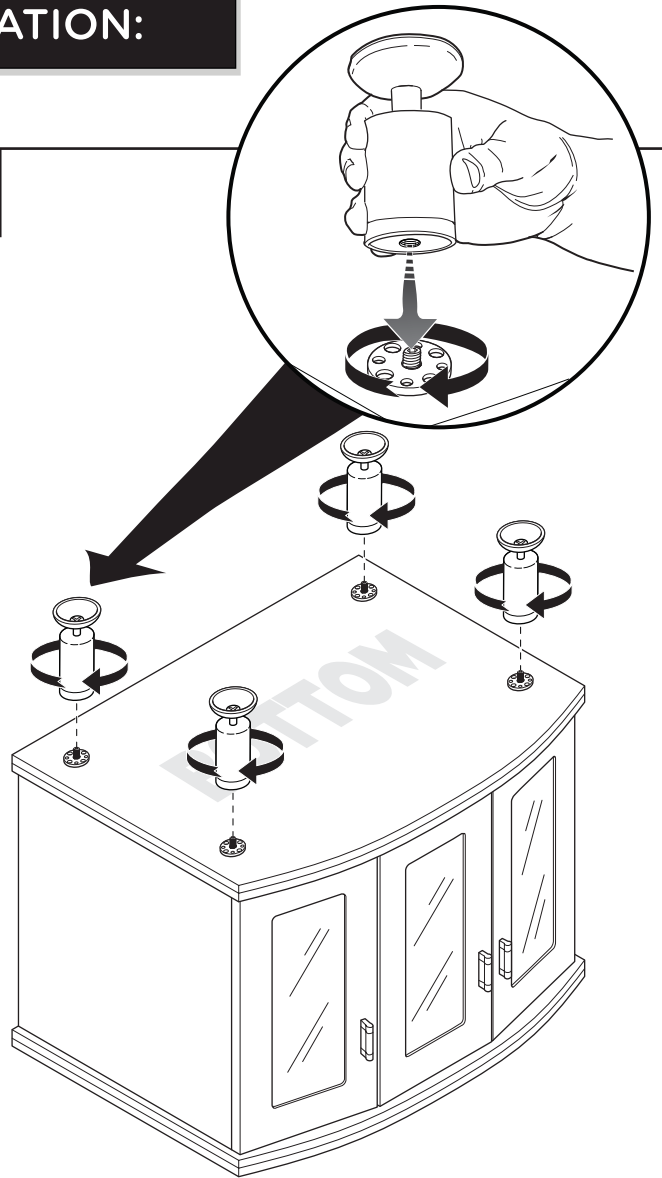
All dimensions & specifications are approximate and subject to change without notice.

# LEGS INSTALLATION:

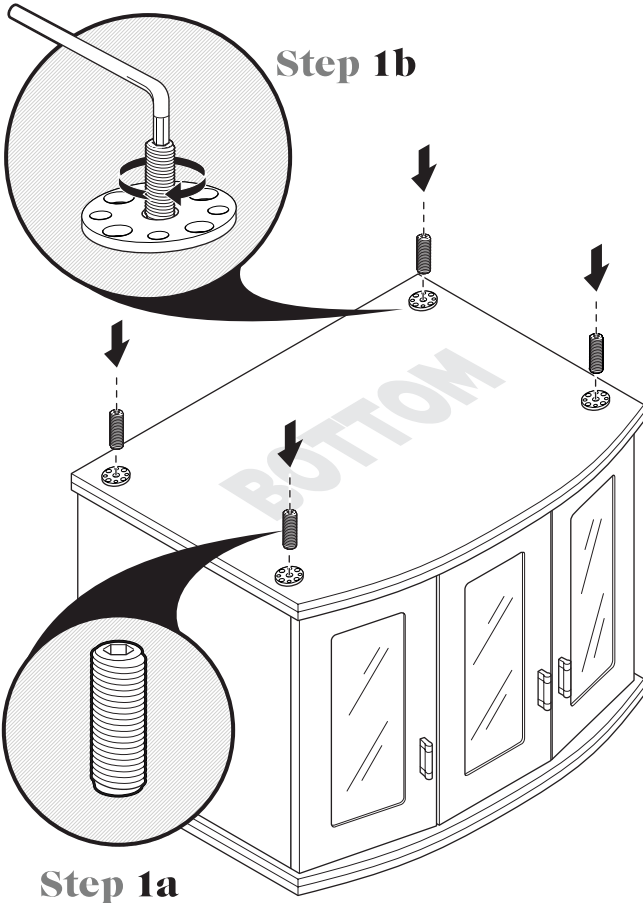
1.



2.

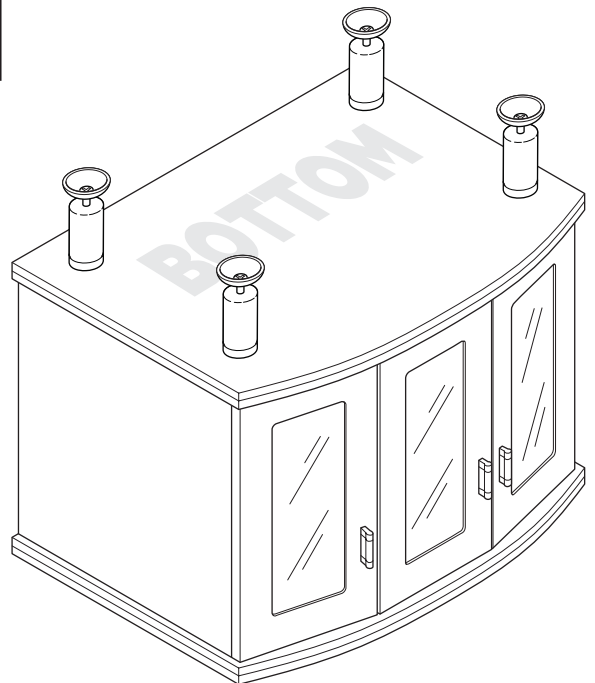


Step 1b



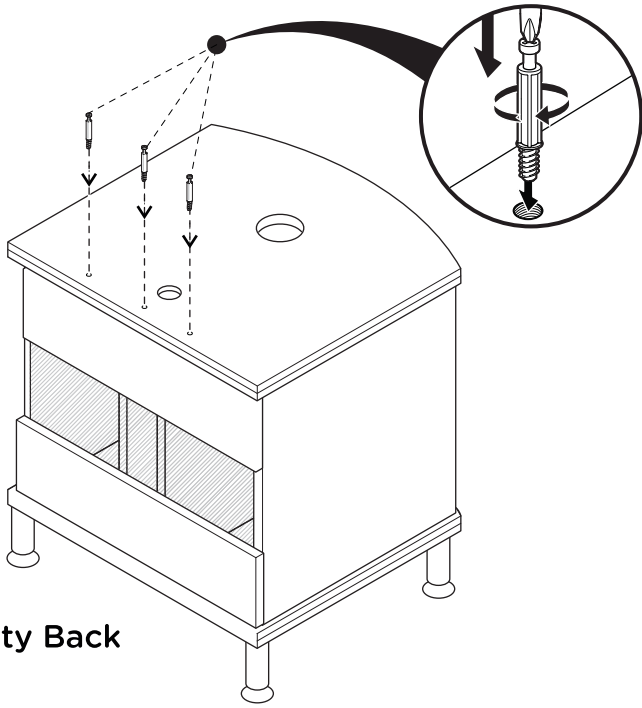
Step 1a

3.

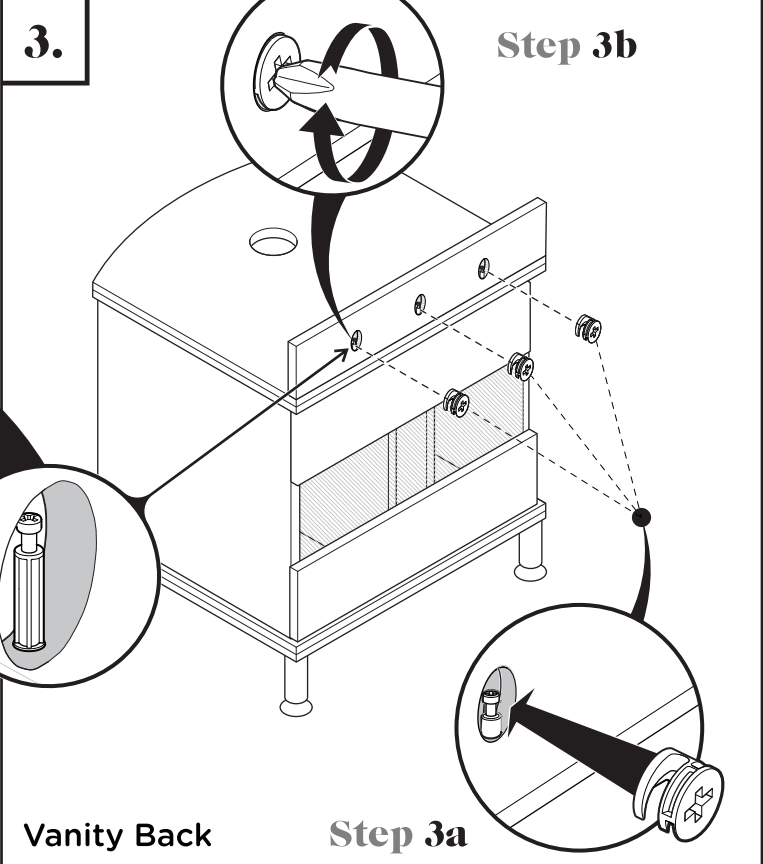
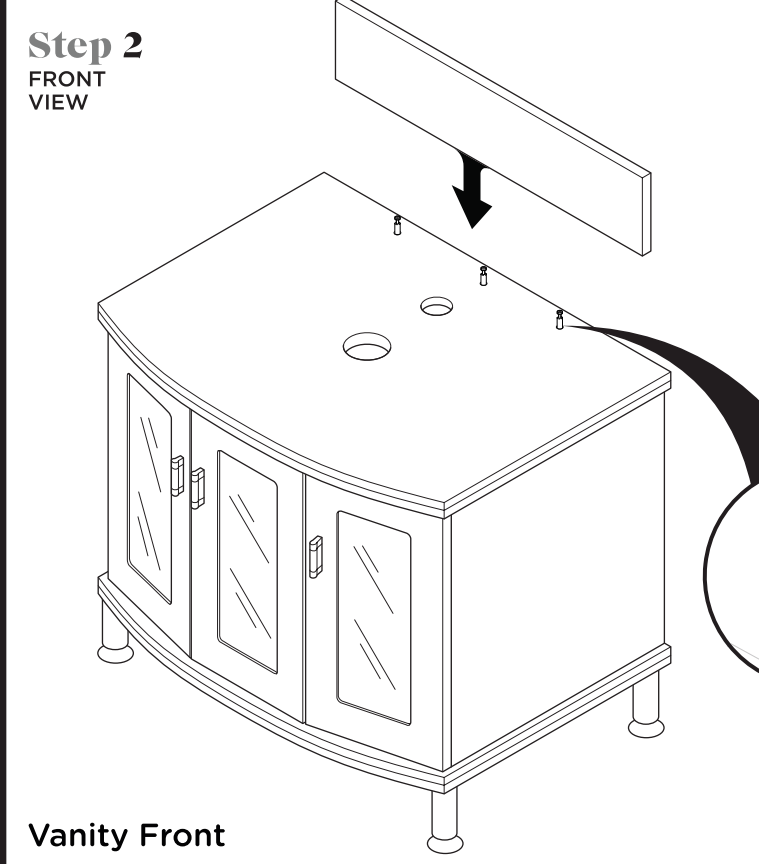
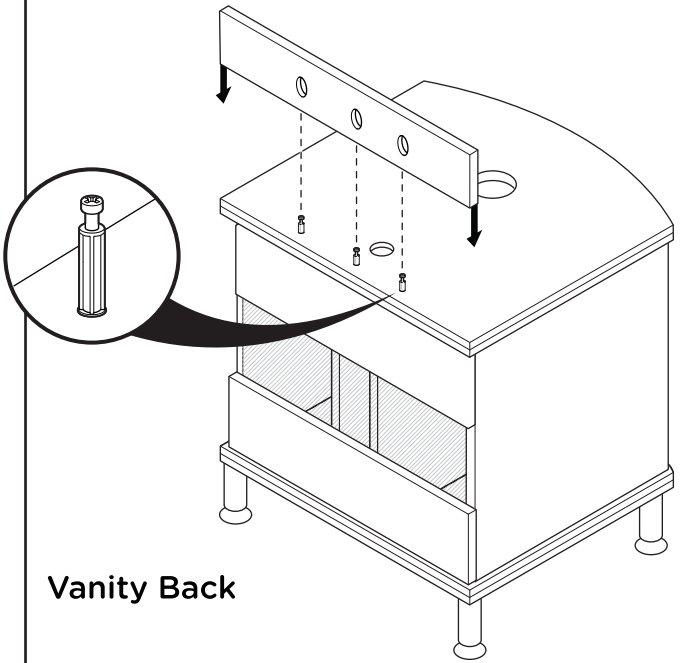


# WOOD SHIM INSTALLATION:

1.

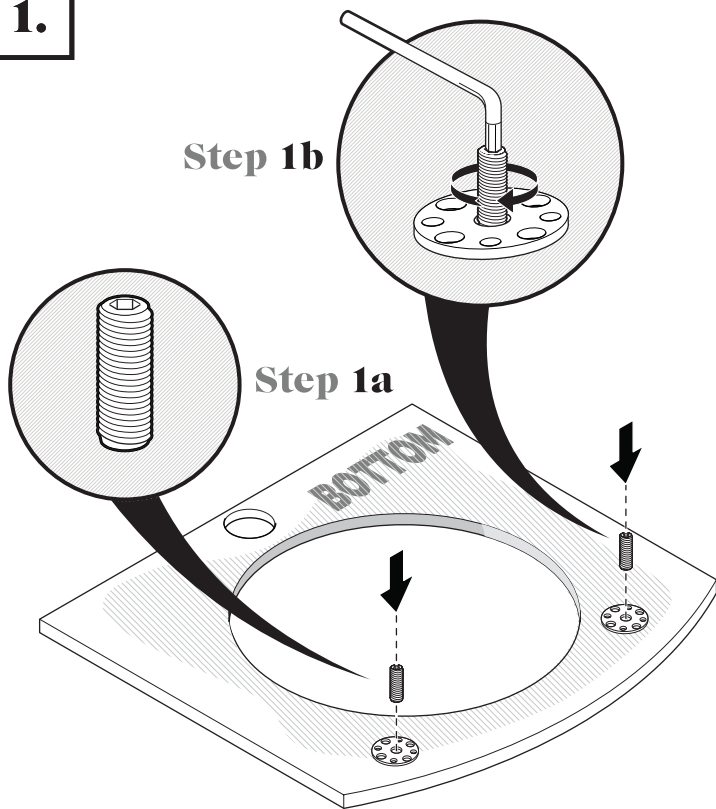


2.

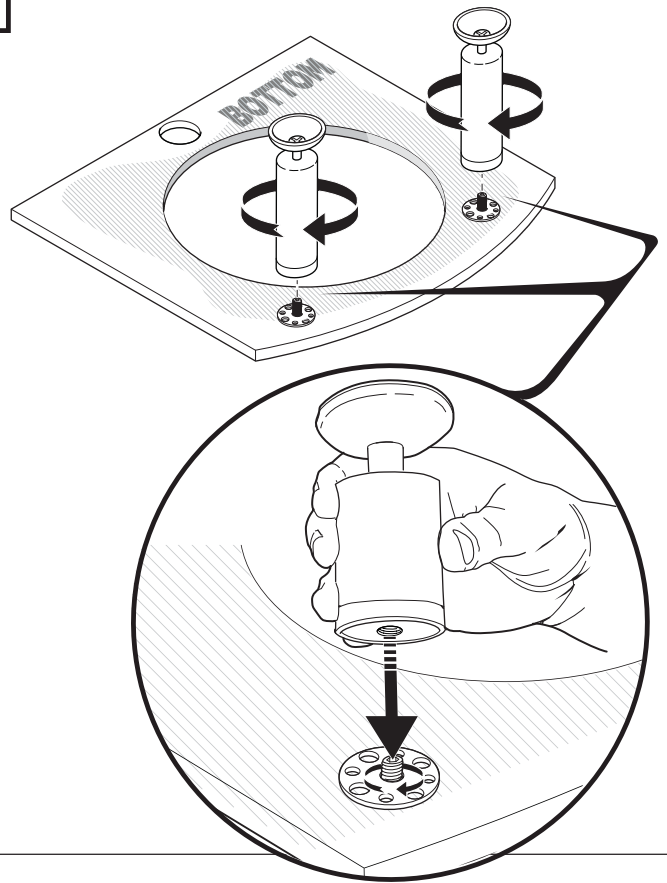


# COUNTERTOP INSTALLATION:

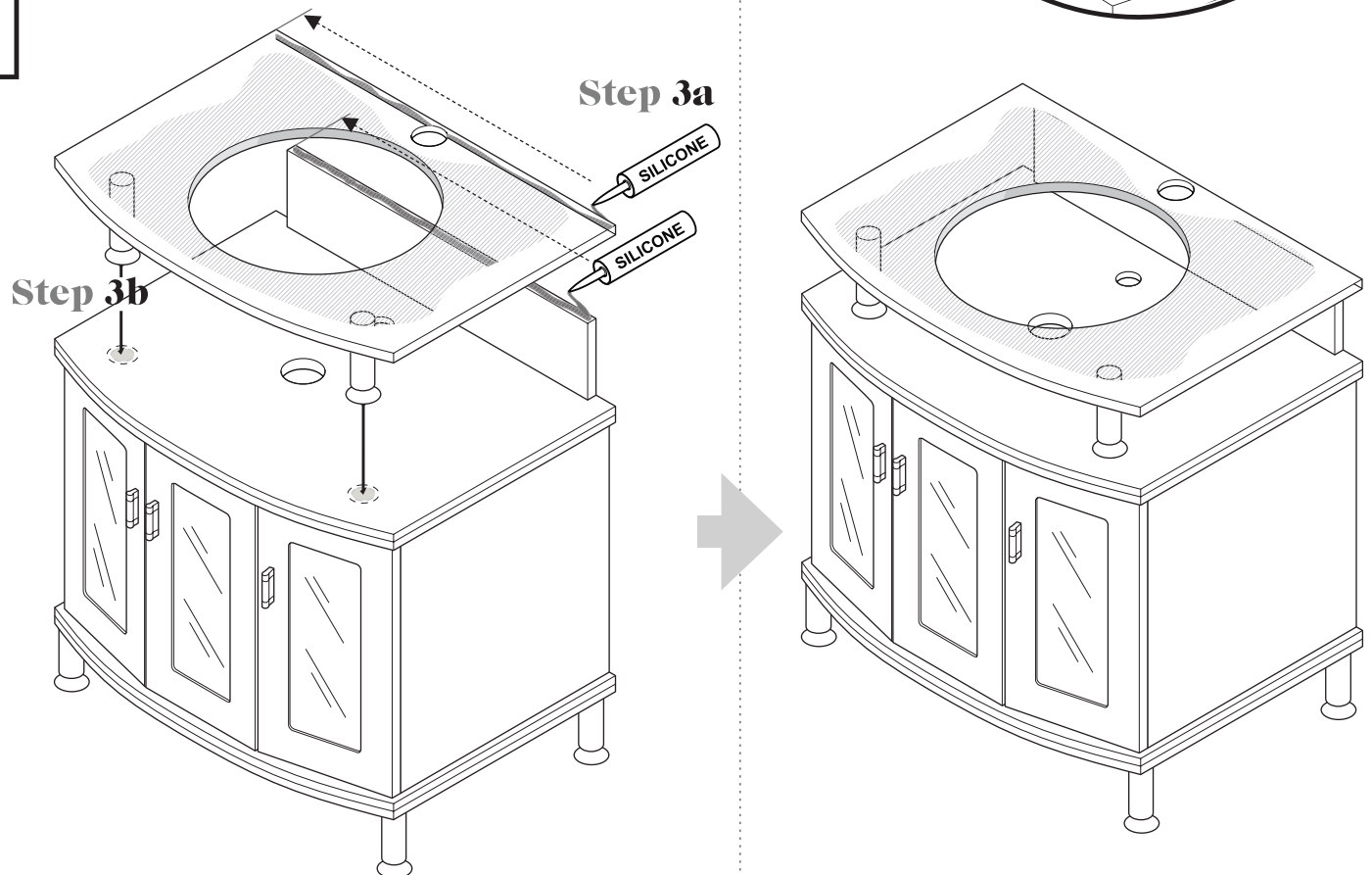
1.

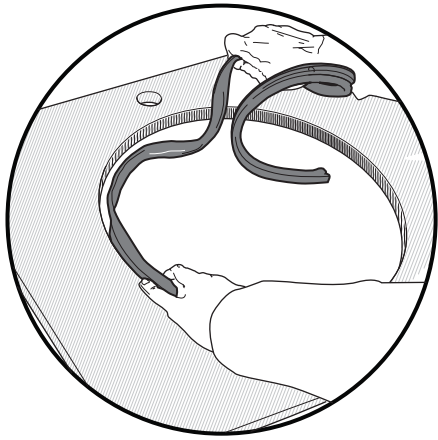


2.



3.

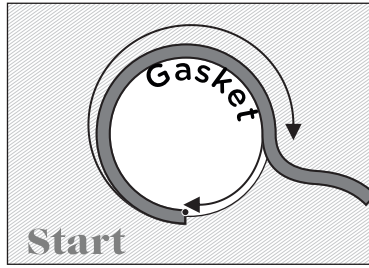




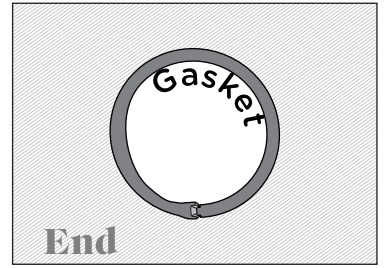
**Step 1**

**GASKET & SINK INSTALLATION:**

Countertop (Top View)

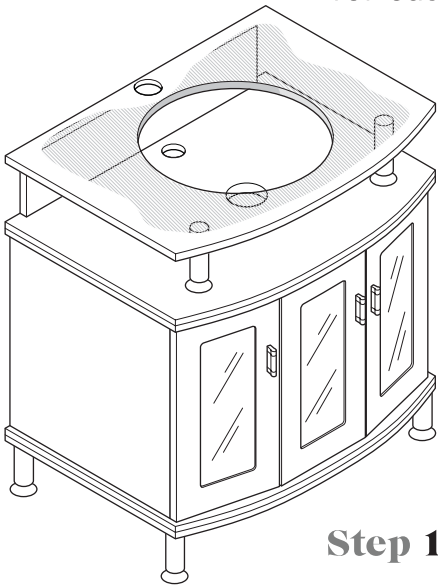


Countertop (Top View)

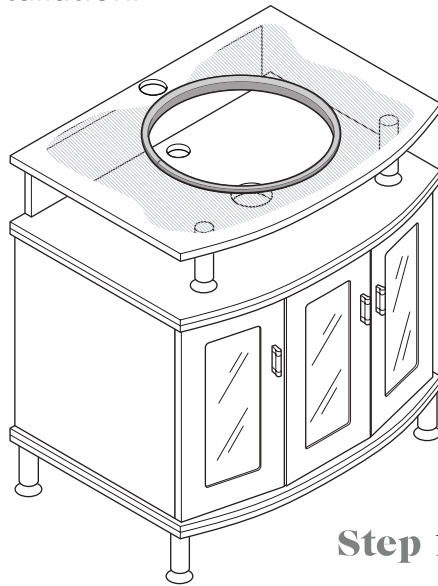


**1.**

**\*NOTE\***  
Heat gasket in hot water  
for easy installation.

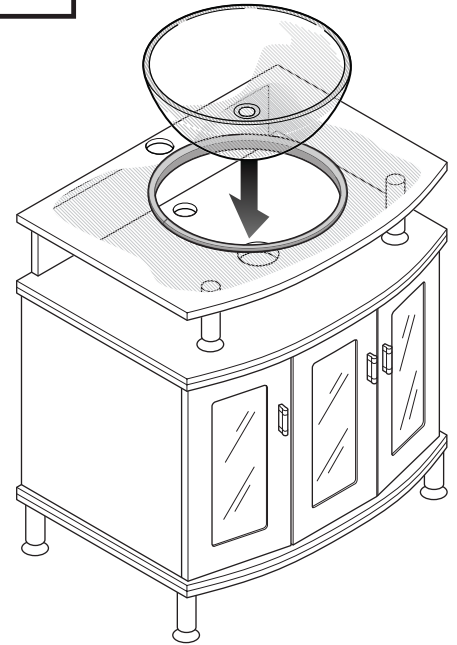


**Step 1a**

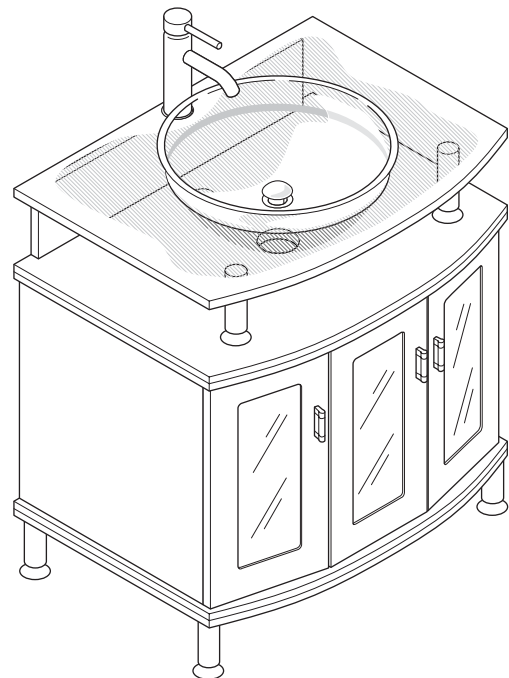
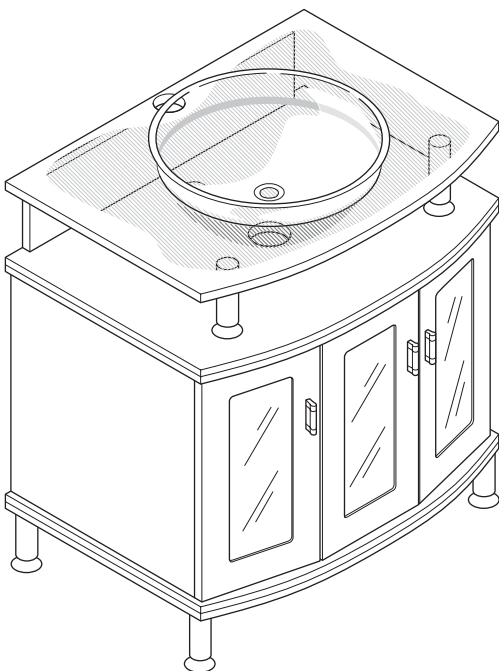


**Step 1b**

**2.**

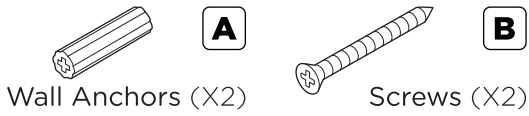


**3.**

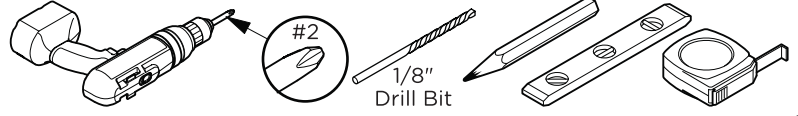


# MIRROR INSTALLATION:

## PARTS

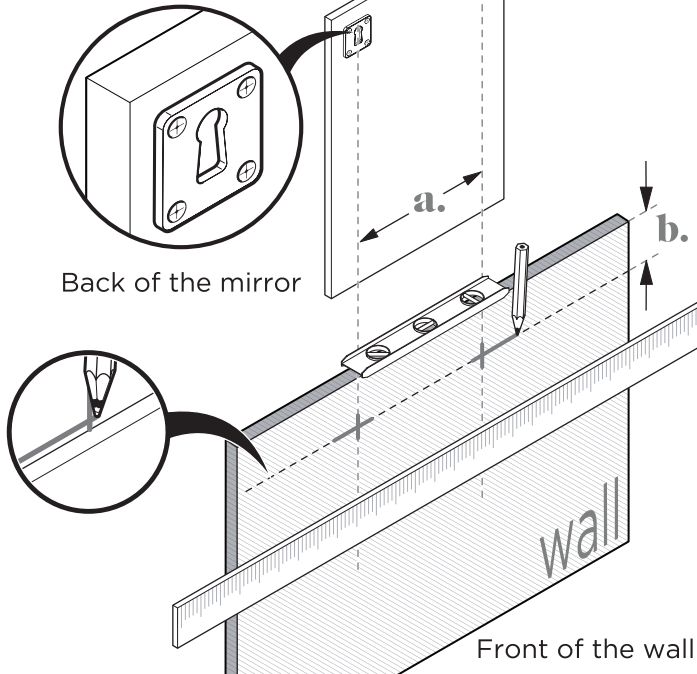


## TOOLS FOR ASSEMBLY



1. Measure distance between both keyhole cutouts and mark the center points.

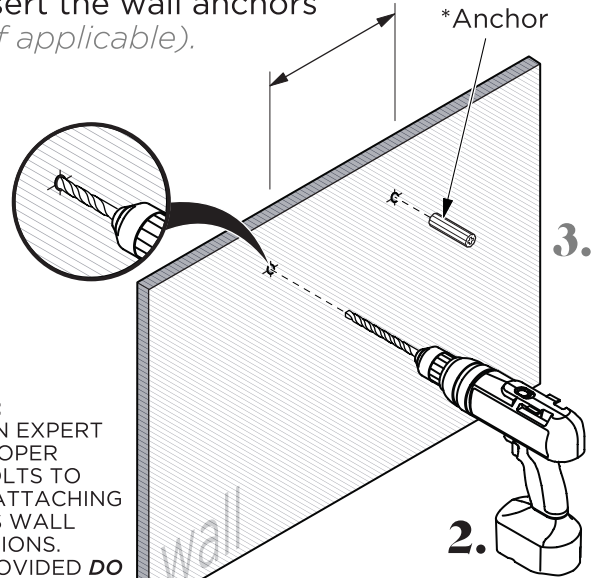
### Keyhole Cutout



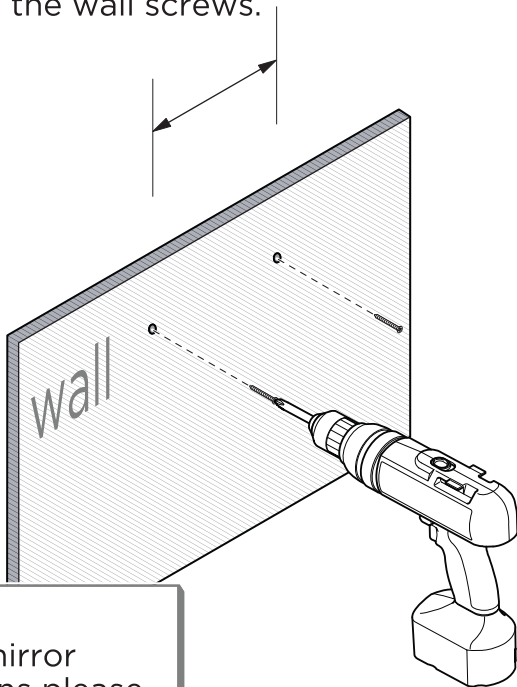
2. Drill marked location of the screws on the wall.

3. Insert the wall anchors (\*If applicable).

**IMPORTANT:**  
CONSULT AN EXPERT FOR THE PROPER SCREWS/BOLTS TO USE WHEN ATTACHING TO VARIOUS WALL CONSTRUCTIONS. SCREWS PROVIDED **DO NOT** ATTACH TO ALL WALL CONSTRUCTION TYPES.

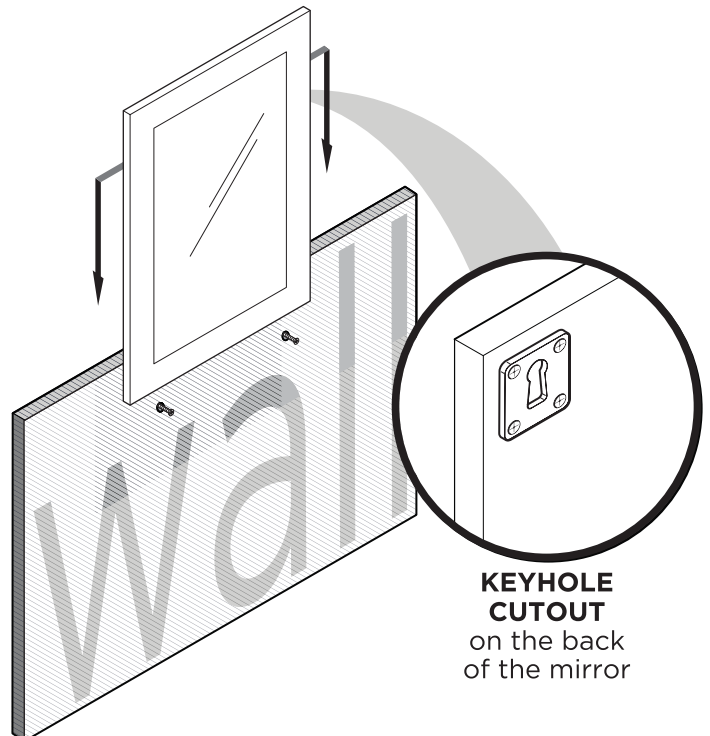


4. Insert the wall screws.



**Note:**  
For the mirror dimensions please see PAGE 2.

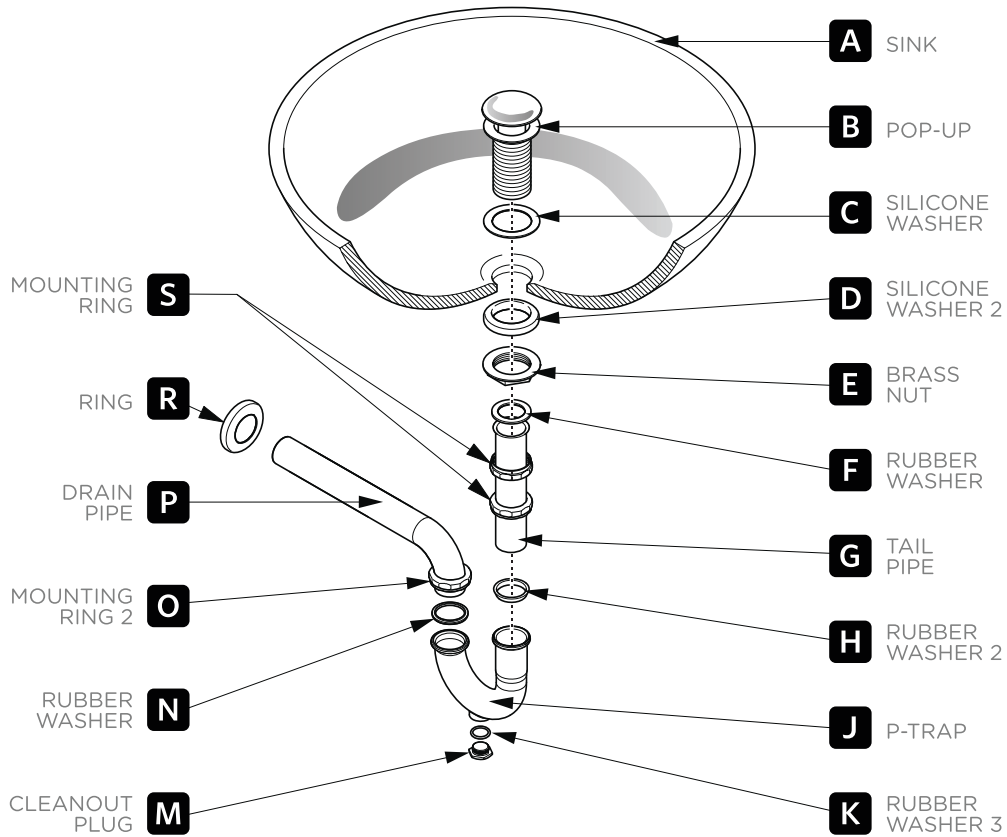
5. Hang up the mirror by placing each keyhole cutout securely over the screws.



# P-TRAP & POP-UP

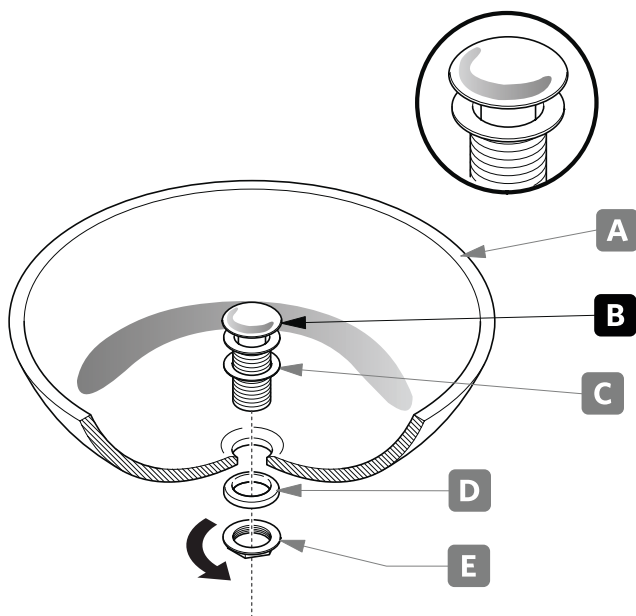
## INSTALLATION INSTRUCTIONS

YOUR ITEM MAY APPEAR SLIGHTLY DIFFERENT FROM THE ILLUSTRATION.



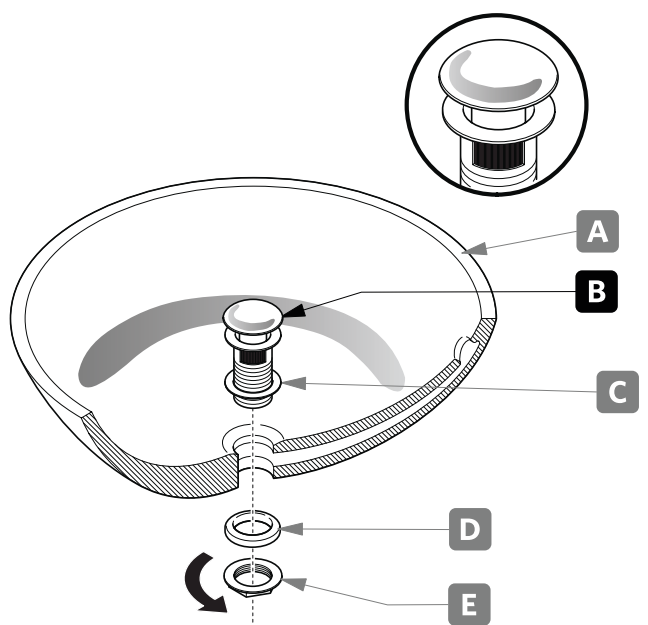
## POP-UP INSTALLATION

FOR SINKS  
WITHOUT OVERFLOW



OR

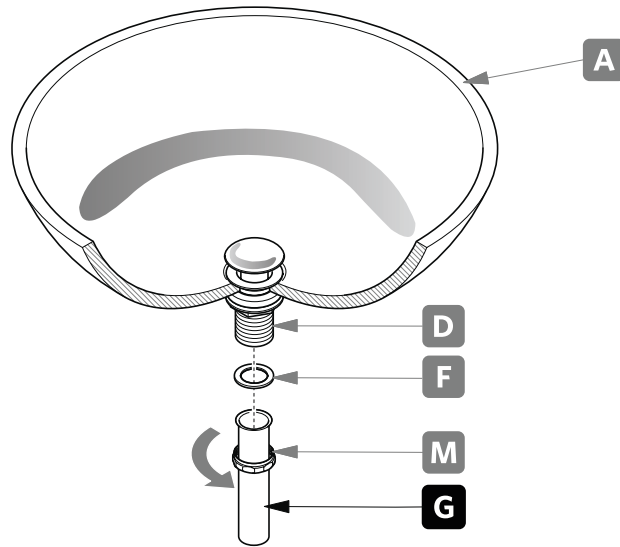
FOR SINKS  
WITH OVERFLOW





# P-TRAP INSTALLATION

**1.** Install tail pipe (**G**).



**2.** Install P-trap (**J**).

