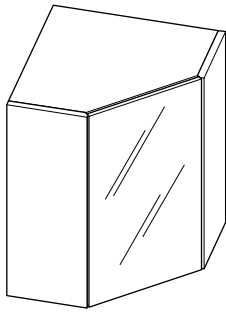
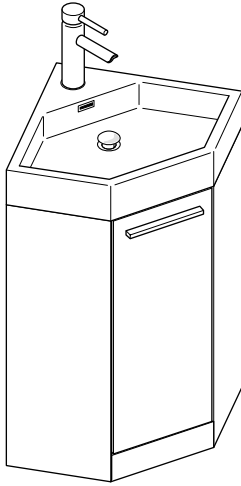
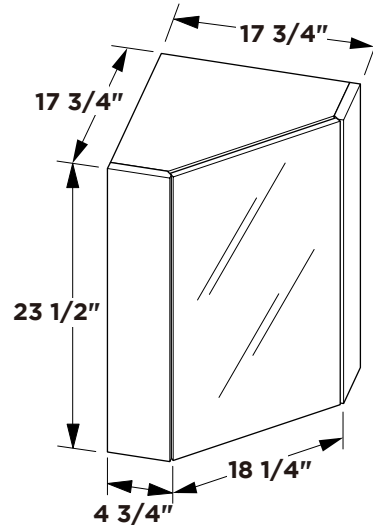




FVN5084  
**CODA**  
**INSTALLATION GUIDE**

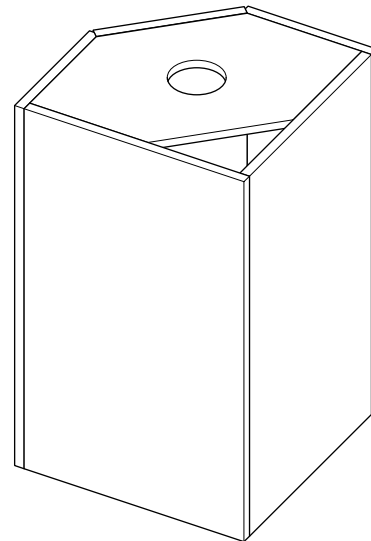
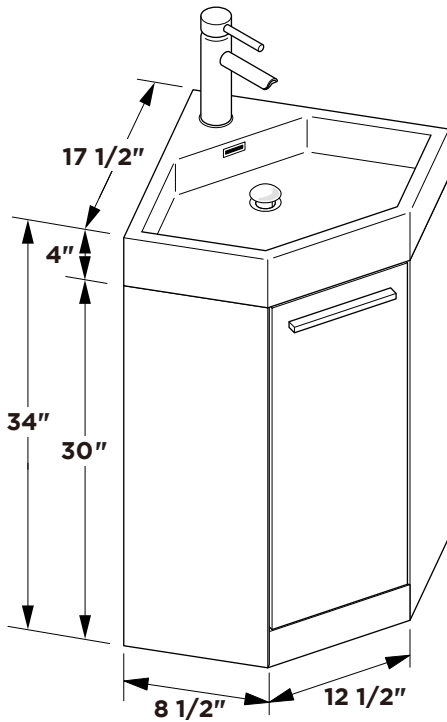


Medicine Cabinet  
 (Optional)



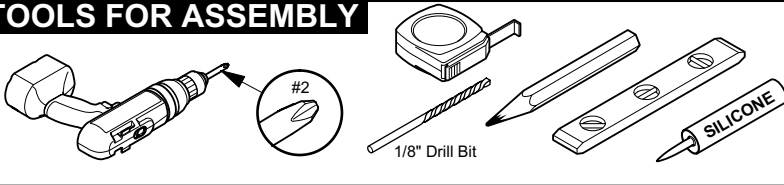
Vanity Front

Vanity Back

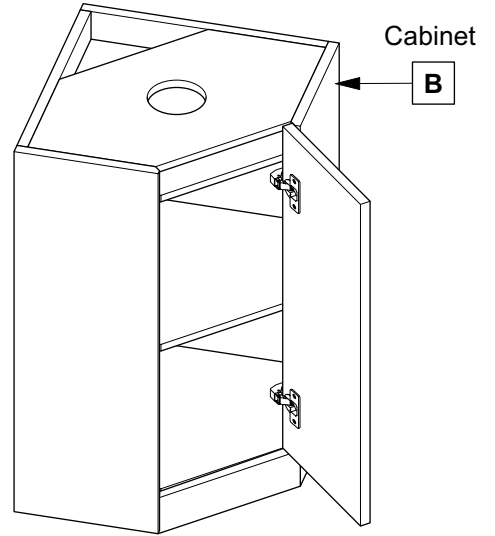
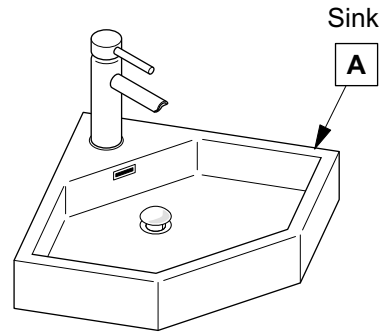
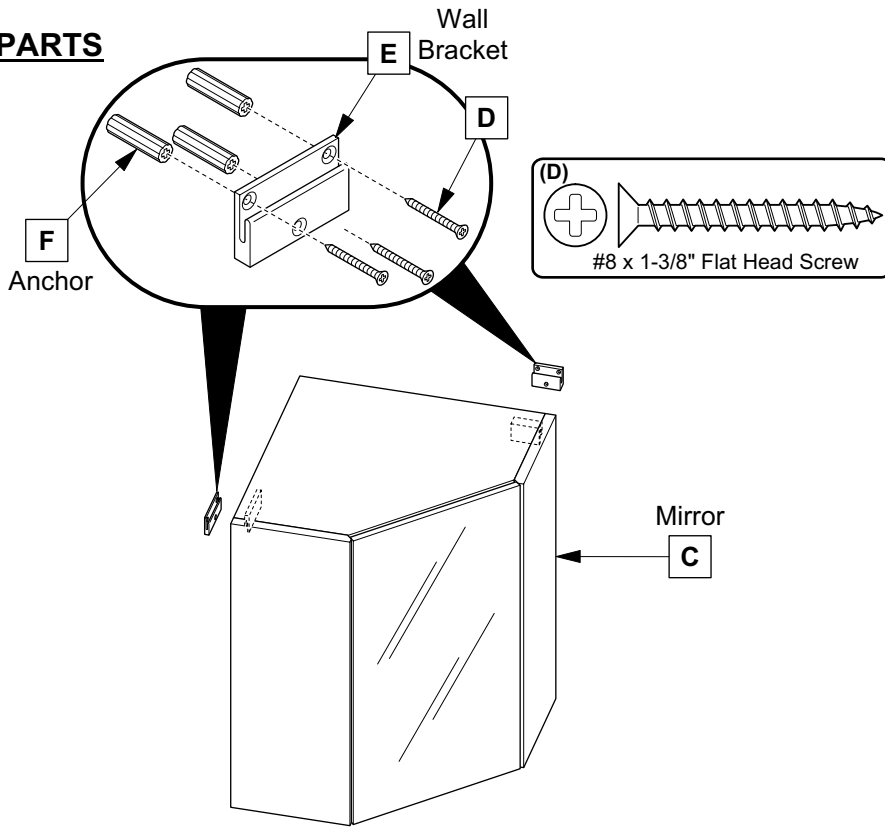


Note: All dimensions and specifications are approximate and subject to change without notice.

**TOOLS FOR ASSEMBLY**

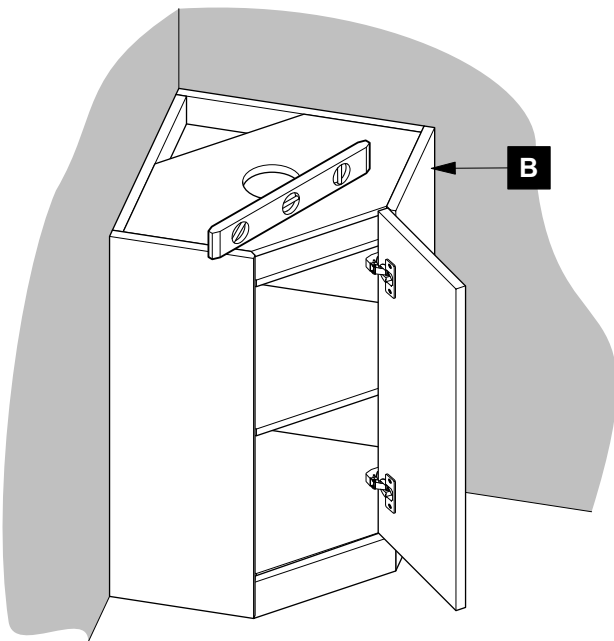


**PARTS**

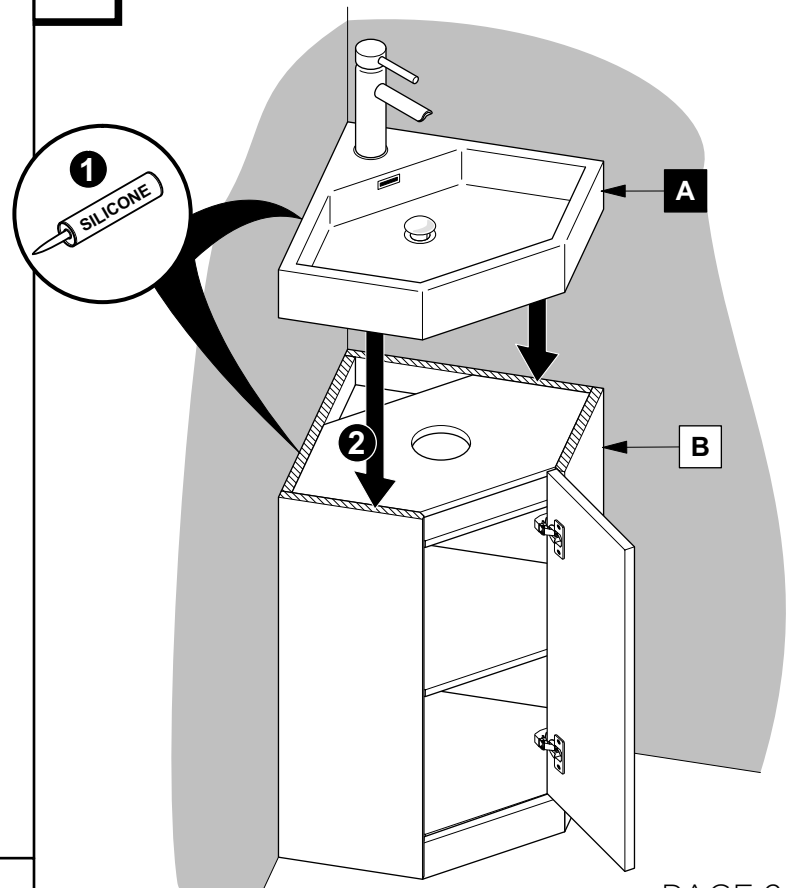


**1 Install cabinet (C)**

**IMPORTANT:** Consult an expert for the proper screws/bolts to use when attaching to various wall constructions. Screws provided do not attach to all wall construction types.



**2 Apply silicone and install sink (B)**



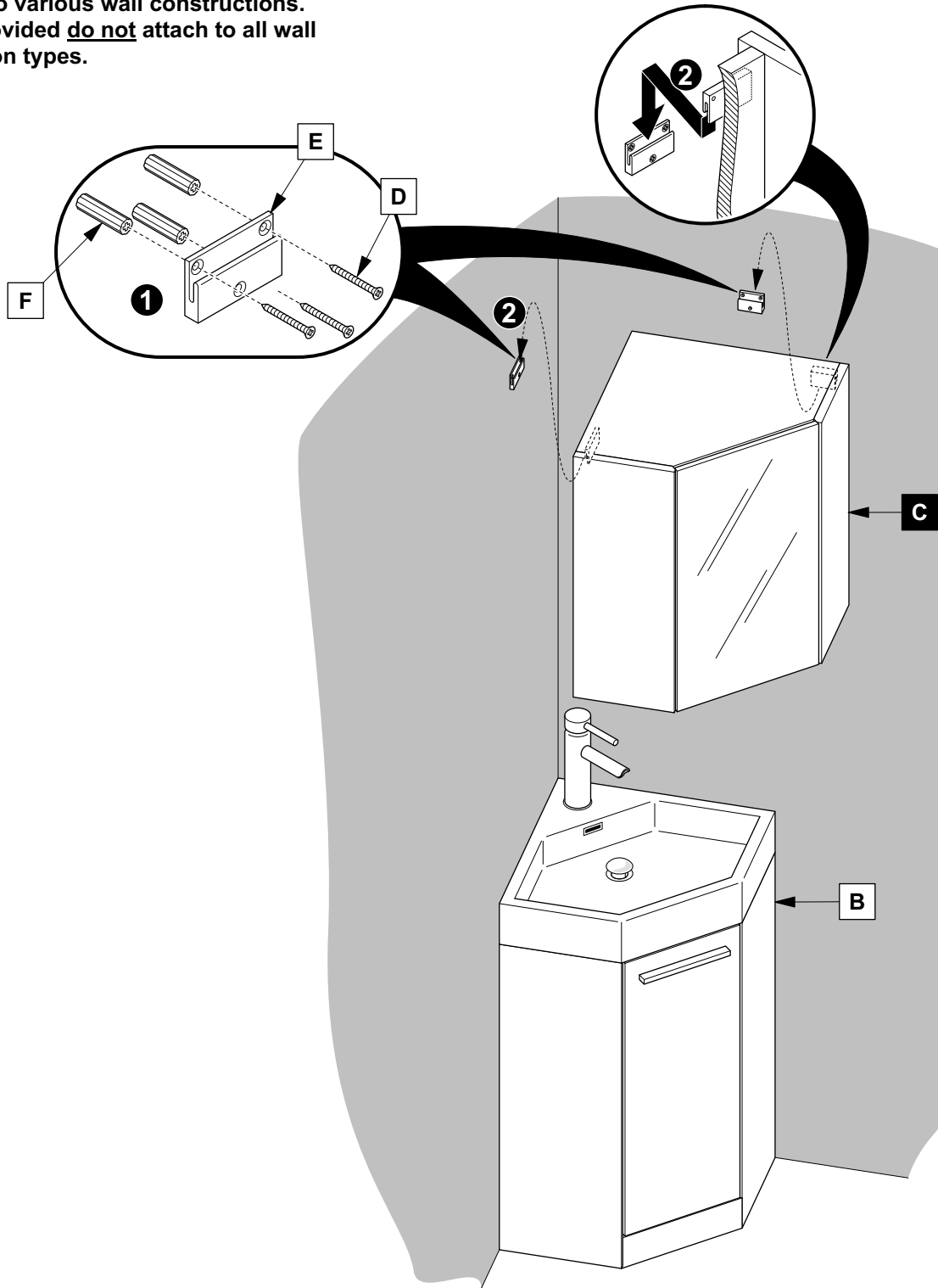
3

Install brackets (E)

4

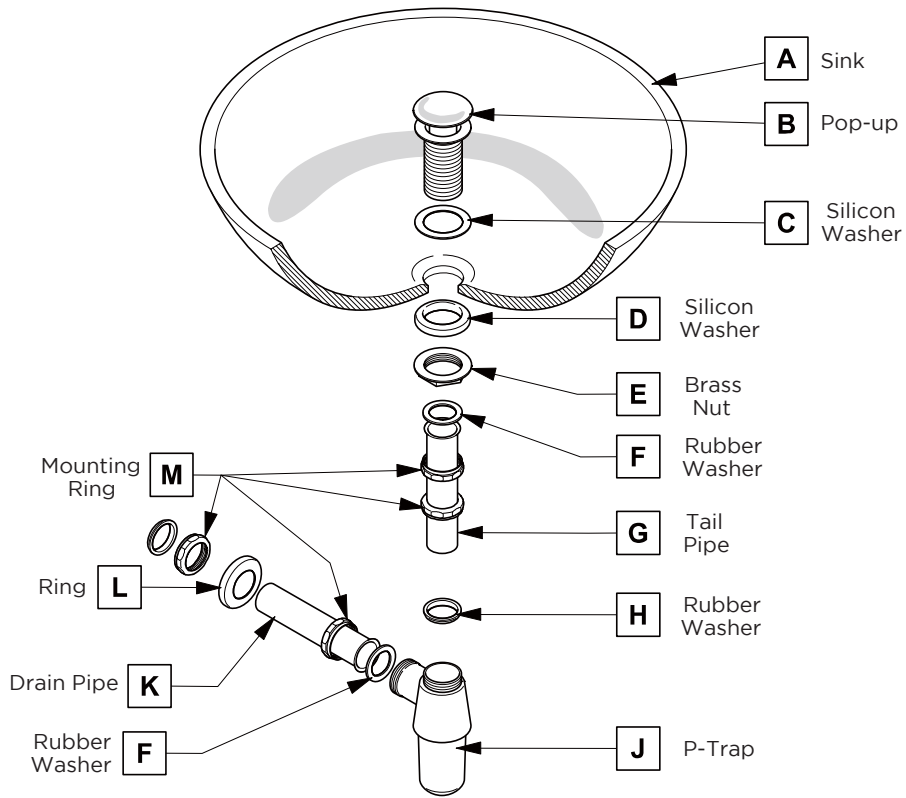
Install medicine cabinet (C)

**IMPORTANT:** Consult an expert for the proper screws/bolts to use when attaching to various wall constructions. Screws provided do not attach to all wall construction types.



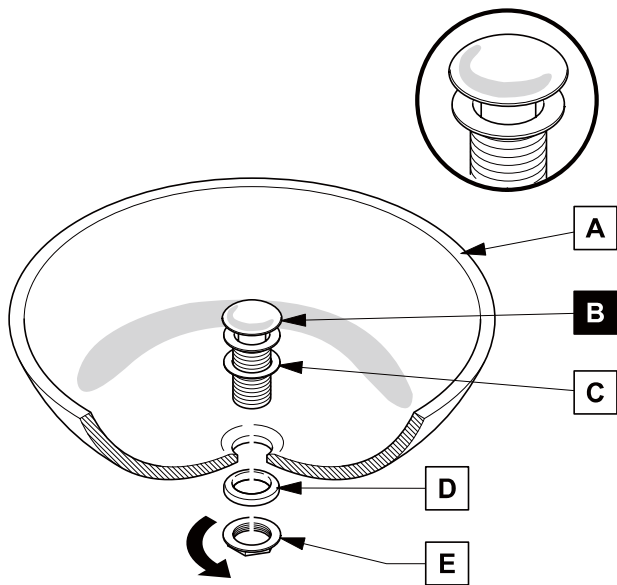
## P-TRAP AND POP-UP INSTALLATION INSTRUCTIONS

Your item may appear slightly different from the illustration



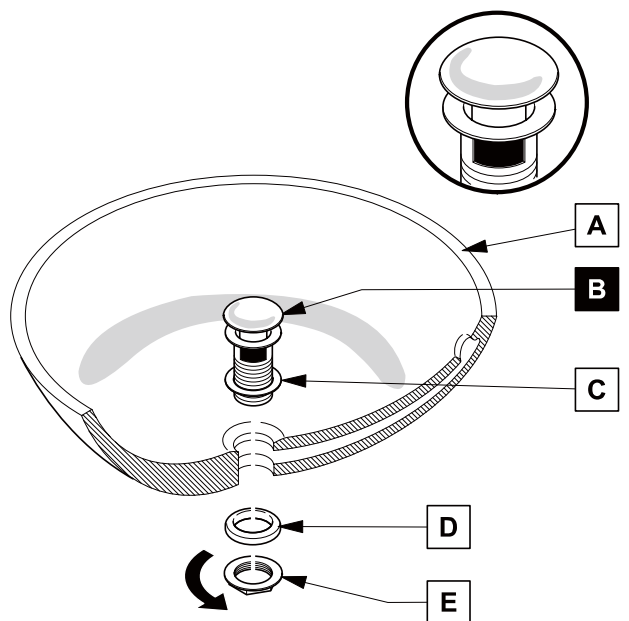
### POP-UP INSTALLATION

#### FOR SINKS WITHOUT OVERFLOW



OR

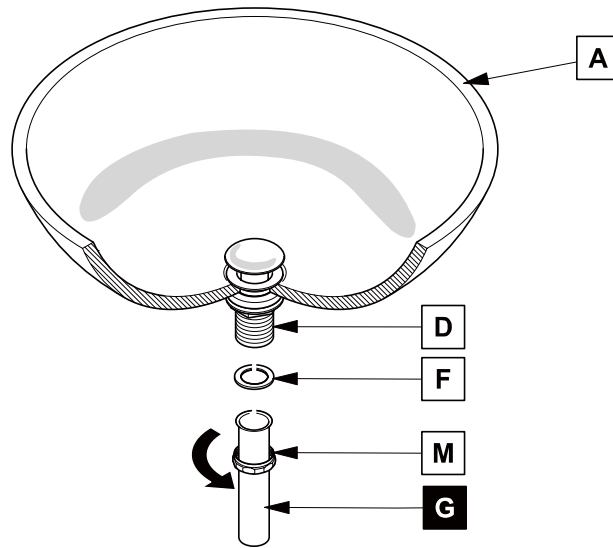
#### FOR SINKS WITH OVERFLOW



# P-TRAP INSTALLATION

1

Install tail pipe (G)



2

Install p-trap (J)

