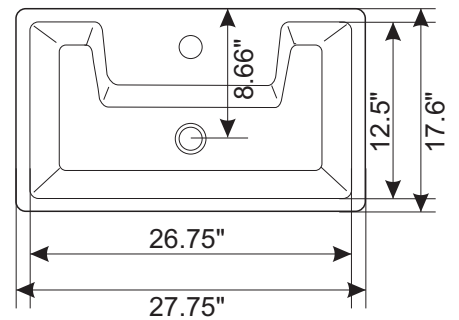
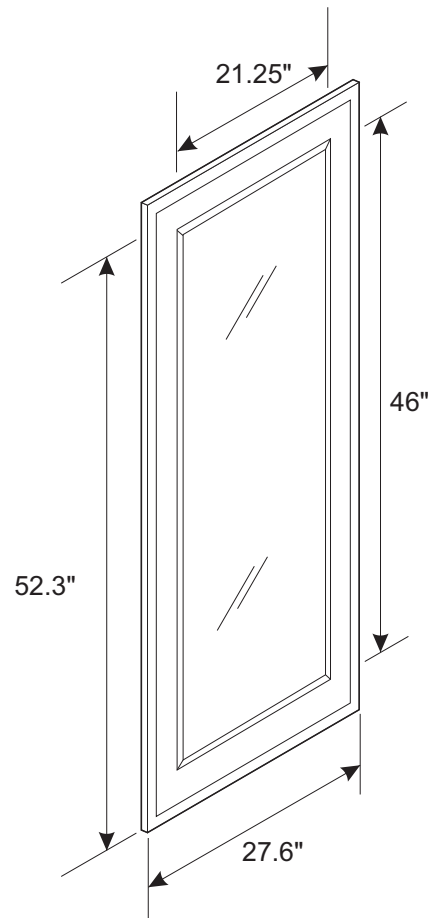
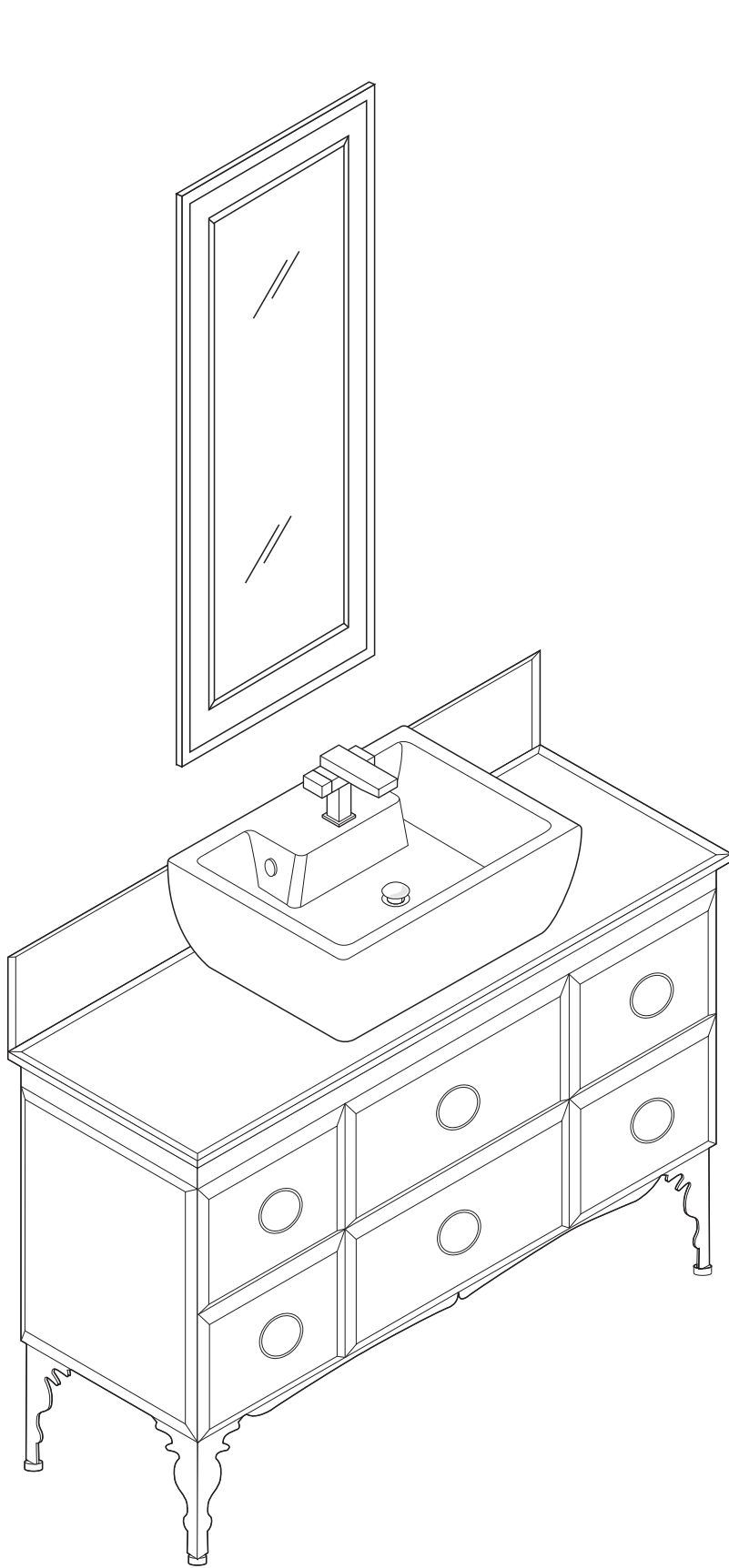
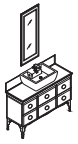


**FVN7716**  
**MOSELLE**  
**INSTALLATION GUIDE**



**FRESCA®**

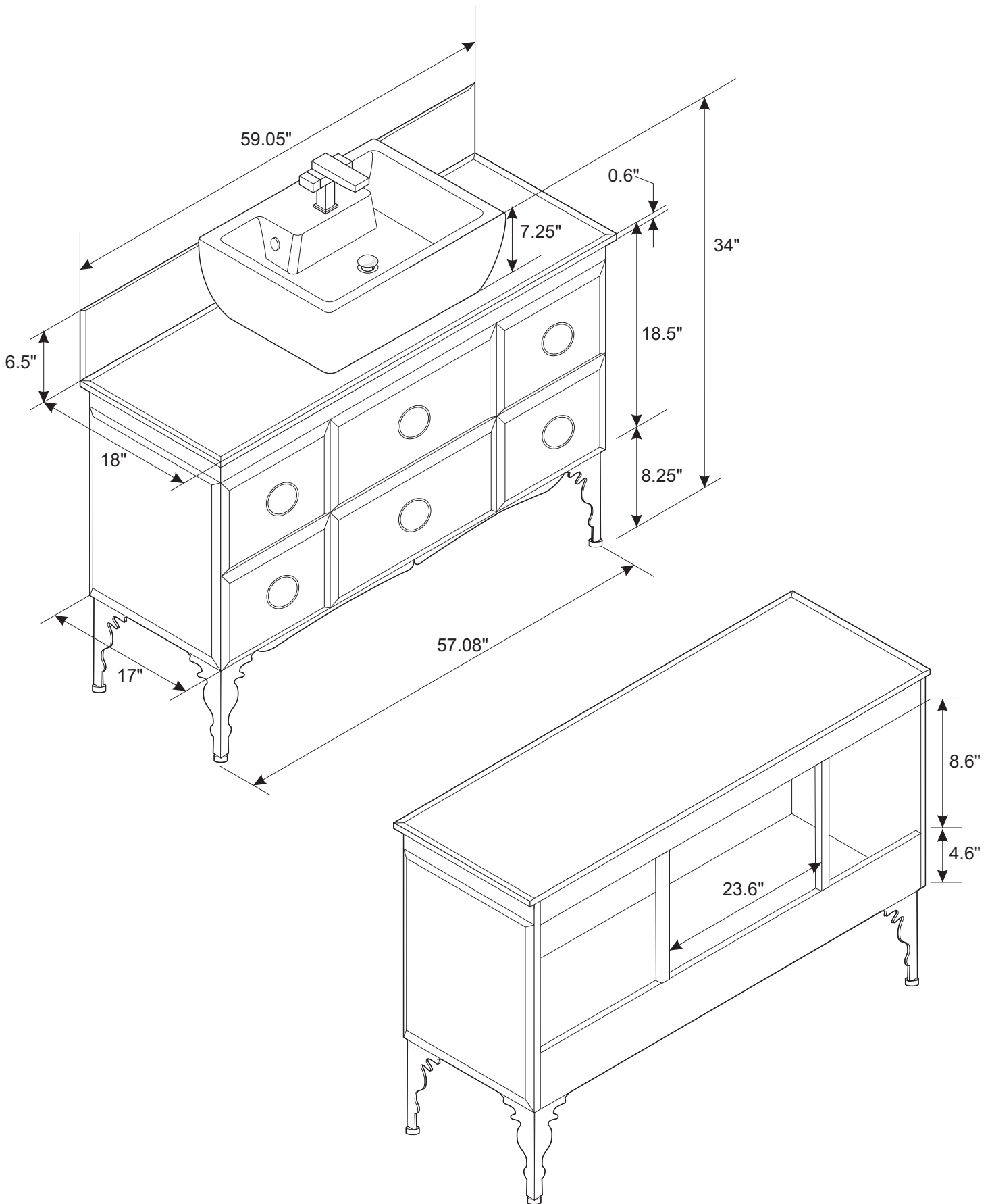




**FVN7716**  
**MOSELLE**  
**INSTALLATION GUIDE**



**FRESCA®**

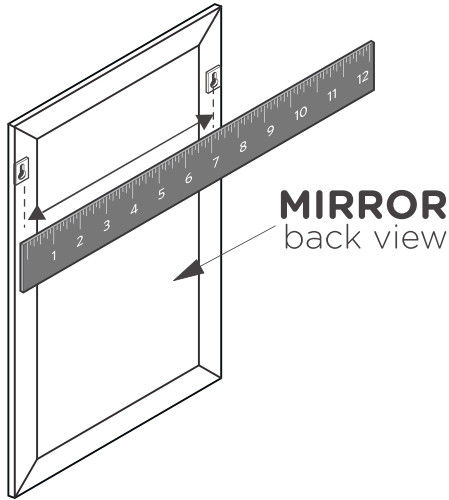


# MIRROR INSTALLATION INSTRUCTION

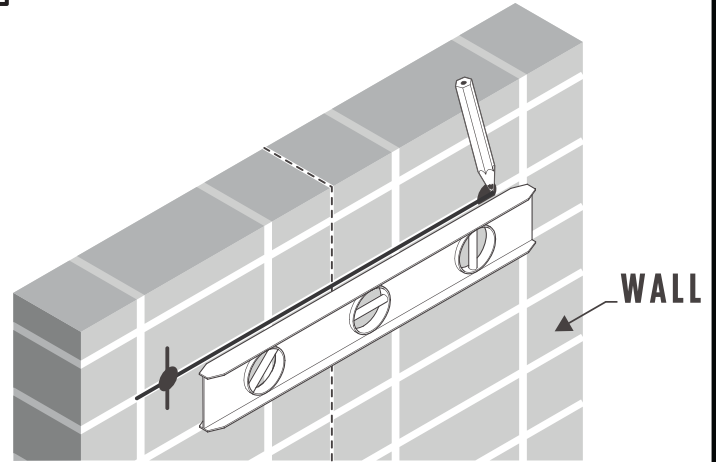
## TOOLS FOR ASSEMBLY



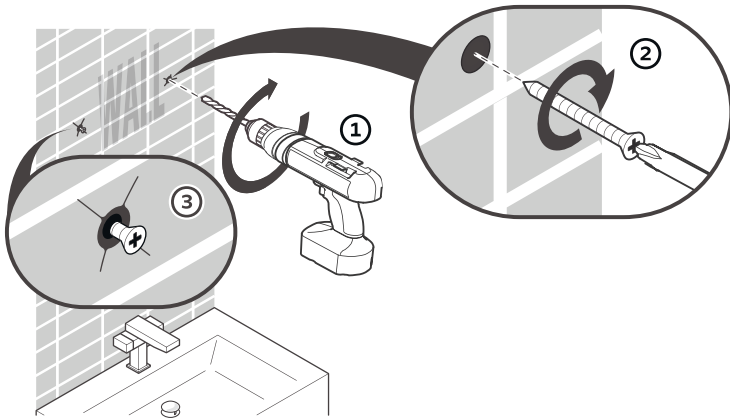
- 1** Measure the distance between the brackets on the back of the mirror



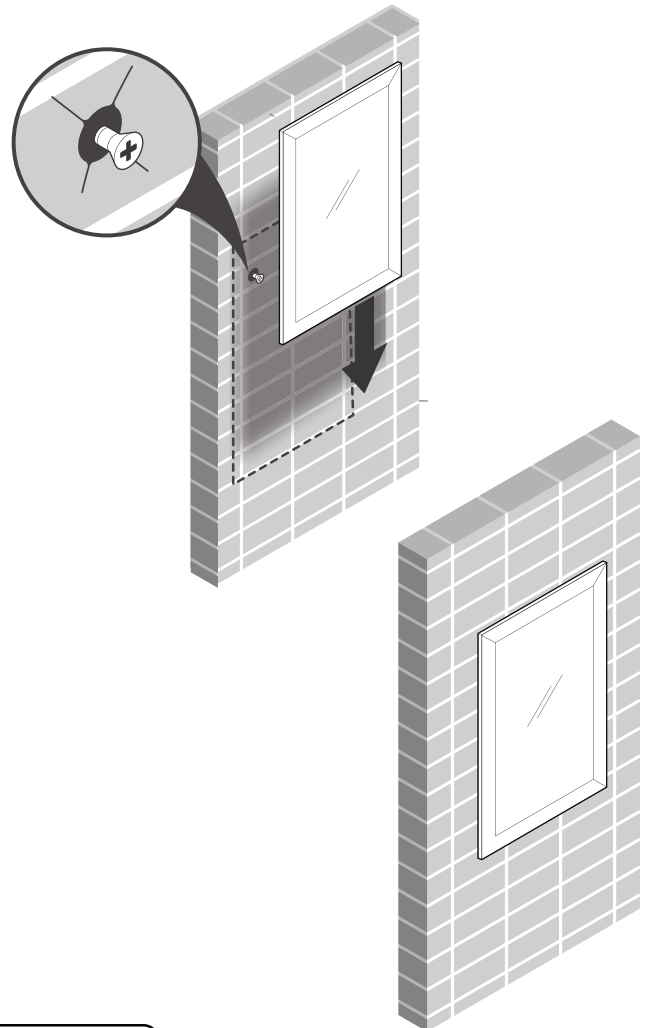
- 2** Mark the measured distance on the wall using a level



- 3** Once position is marked, drill 2 holes and insert anchors if stud is not available



- 4** Hang mirror on the wall



### IMPORTANT:

CONSULT AN EXPERT FOR THE PROPER SCREWS/BOLTS TO USE WHEN ATTACHING TO VARIOUS WALL CONSTRUCTIONS. SCREWS PROVIDED **DO NOT ATTACH** TO ALL WALL CONSTRUCTION TYPES.

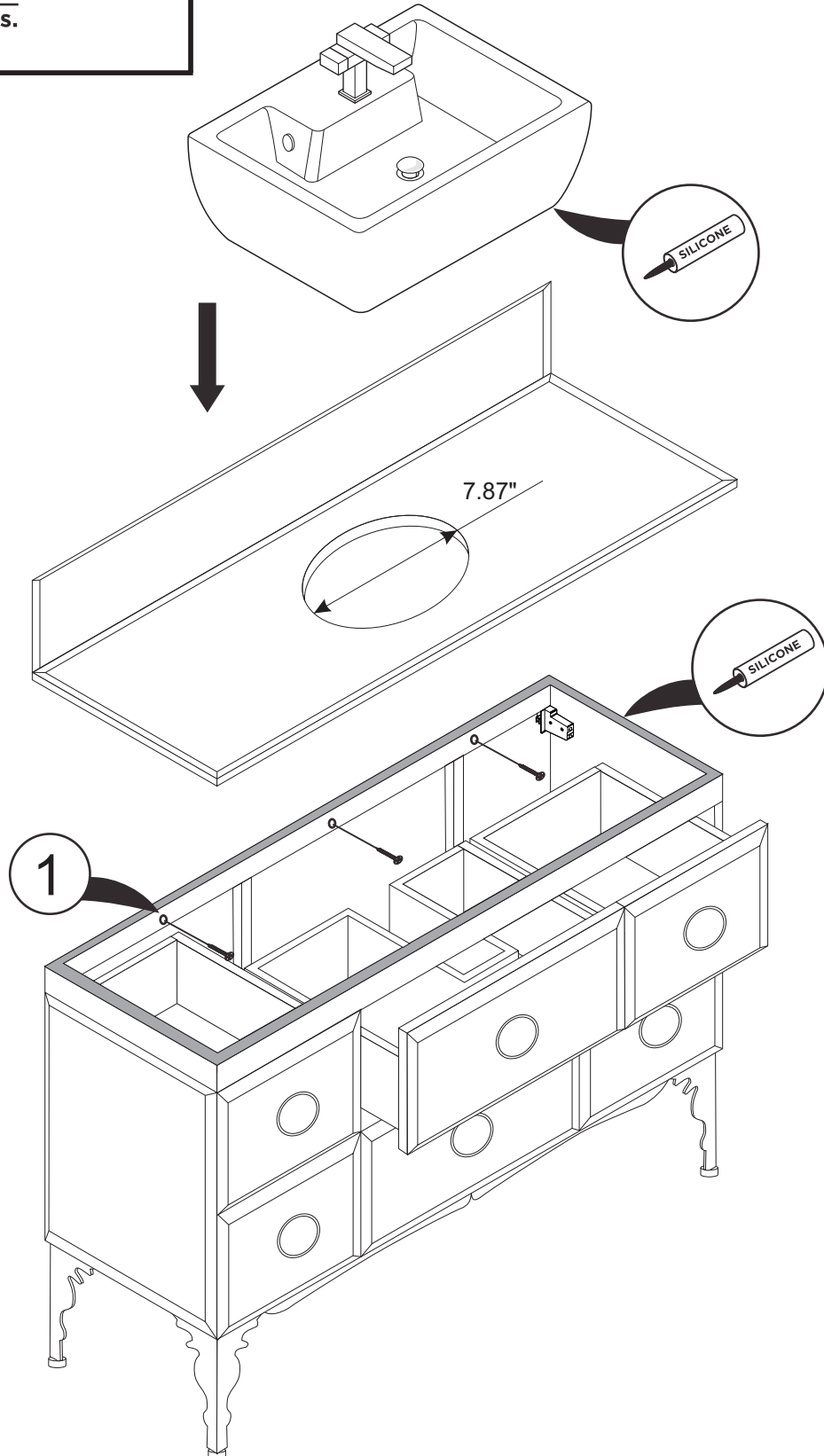
# INSTALLATION GUIDE

**1** Secure cabinet to the wall.

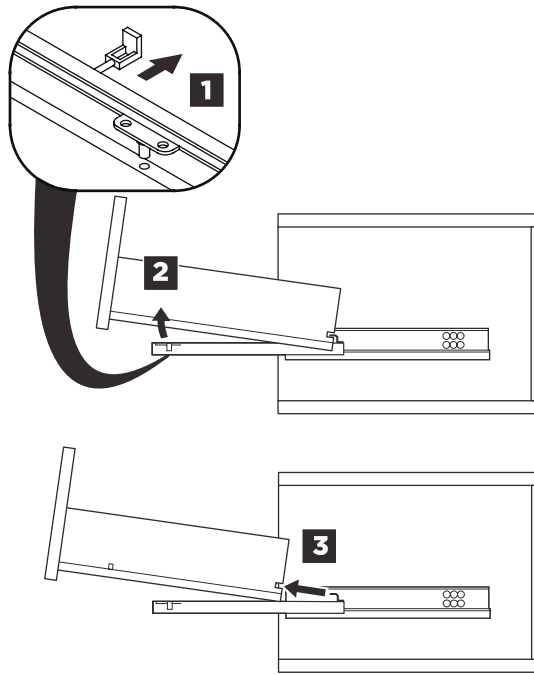
**IMPORTANT:**

Consult an expert for the proper screws/bolts to use when attaching to various wall constructions. Screws provided **do not** attach to all wall construction types.

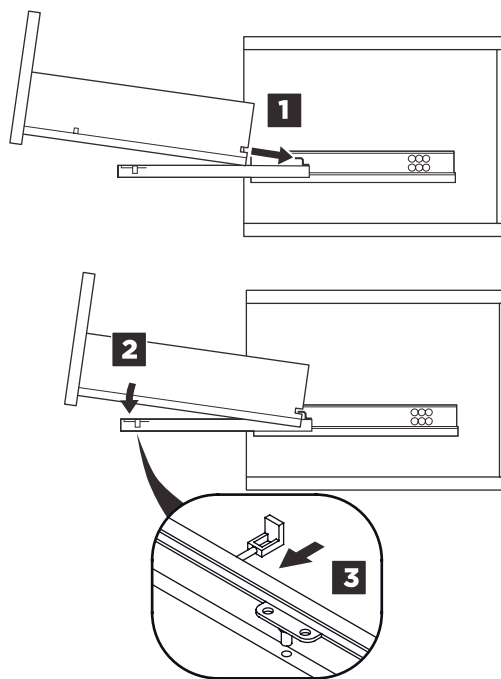
**2** Apply a bead of silicone on the top of the cabinet and place the countertop on to the cabinet. Apply a bead of silicone on to the bottom of the sink and place the sink on the countertop.



REMOVAL



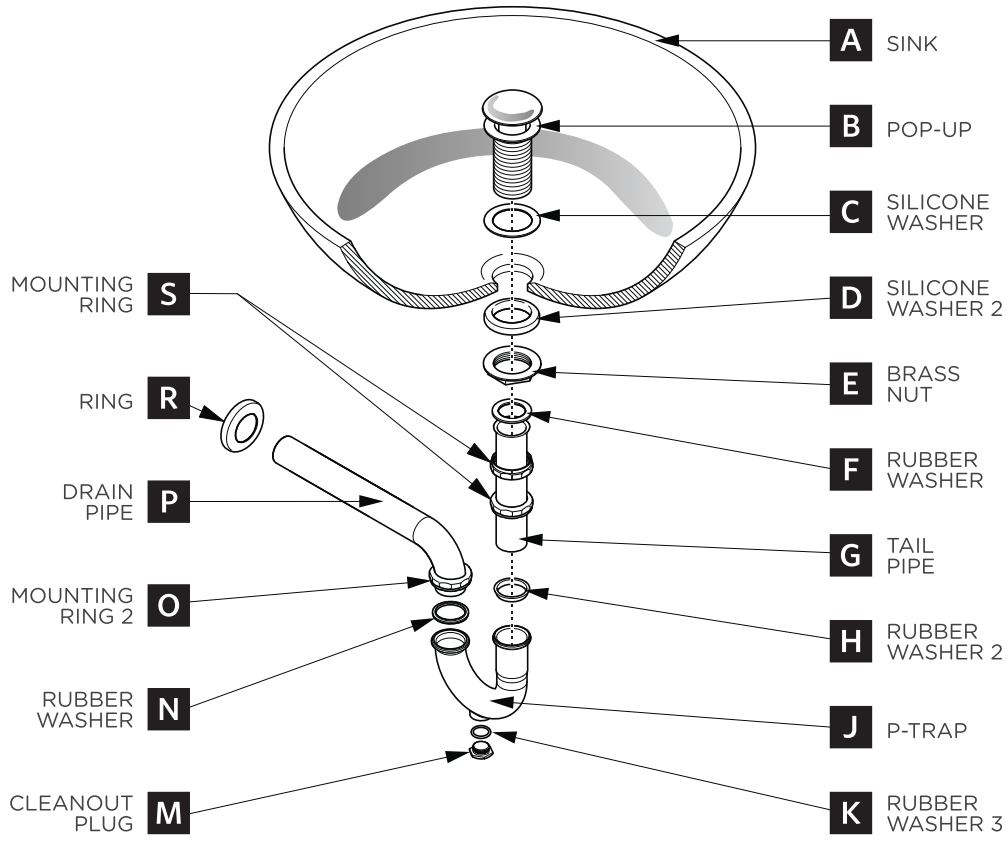
INSTALLATION



# P-TRAP & POP-UP

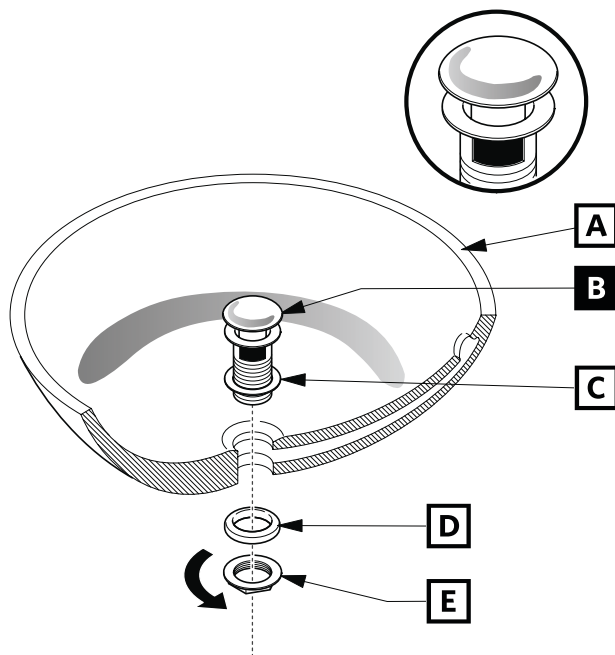
## INSTALLATION INSTRUCTIONS

Your item may appear slightly different from the illustration.



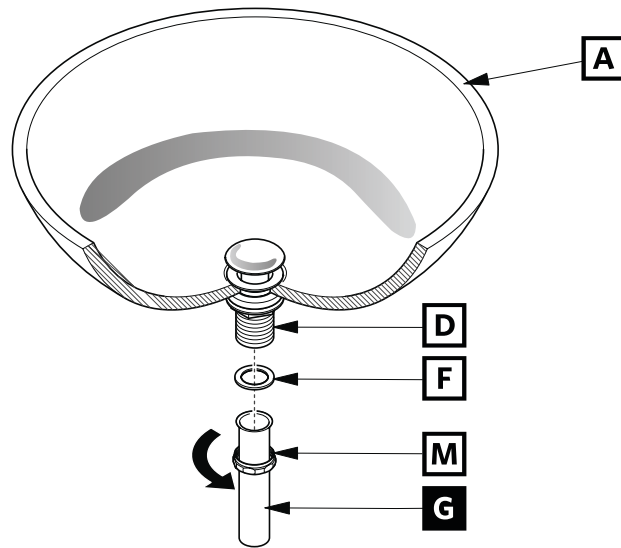
## POP-UP INSTALLATION

FOR SINKS WITH OVERFLOW



# P-TRAP INSTALLATION

**1.** Install tail pipe (G)



**2.** Install P-trap (J)

