



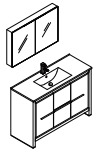
# FVN8148HA ALLIER

*Rio*

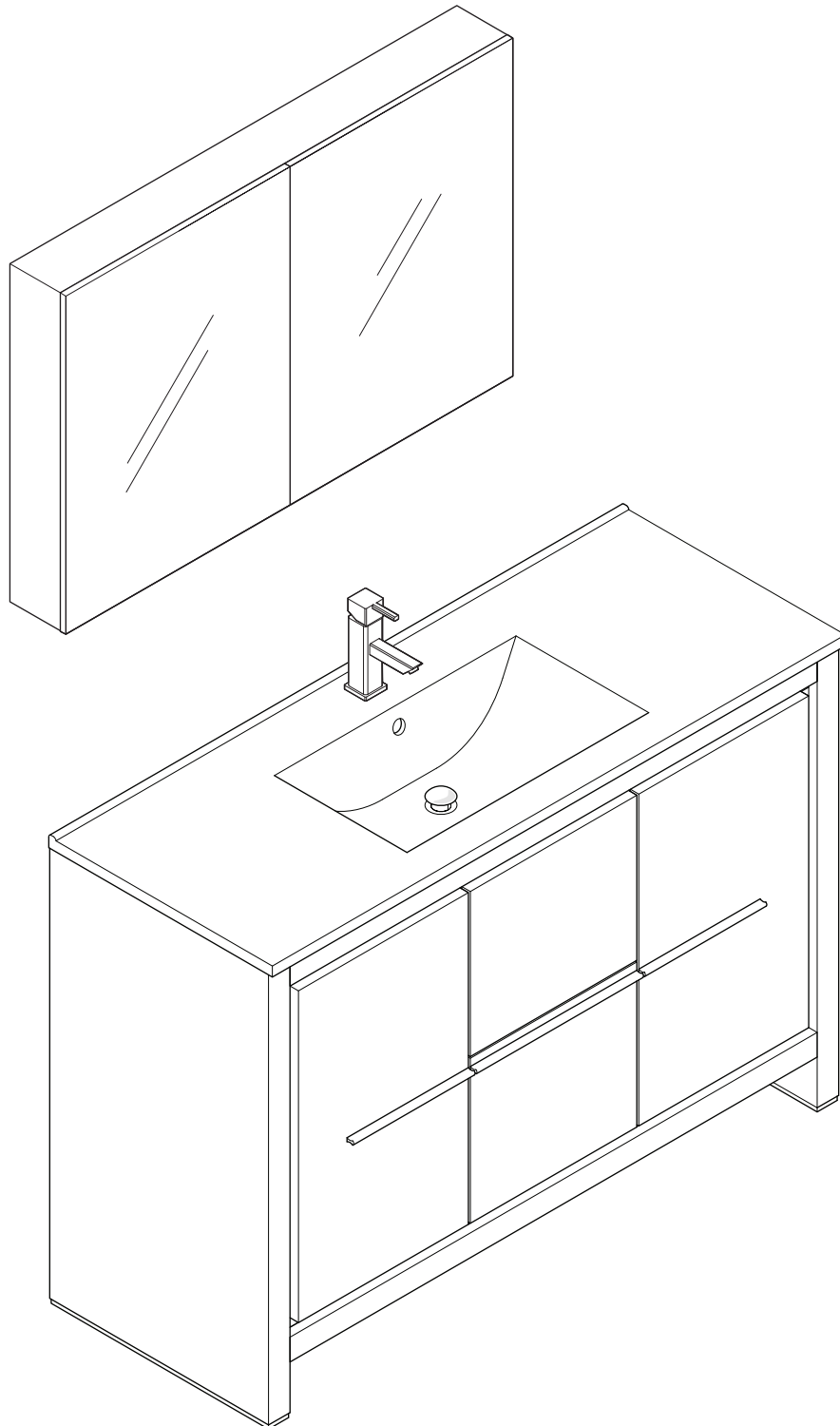
## INSTALLATION GUIDE

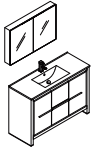
### CONTENTS:

Cabinet.....	(FCB8148HA).....	PAGE 4
Sink.....	(FVS8148WH).....	PAGE 4
Medicine Cabinet.....	(FMC8010).....	PAGE 3



**FVN8148HA**  
**ALLIER** *Rio*  
**INSTALLATION GUIDE**



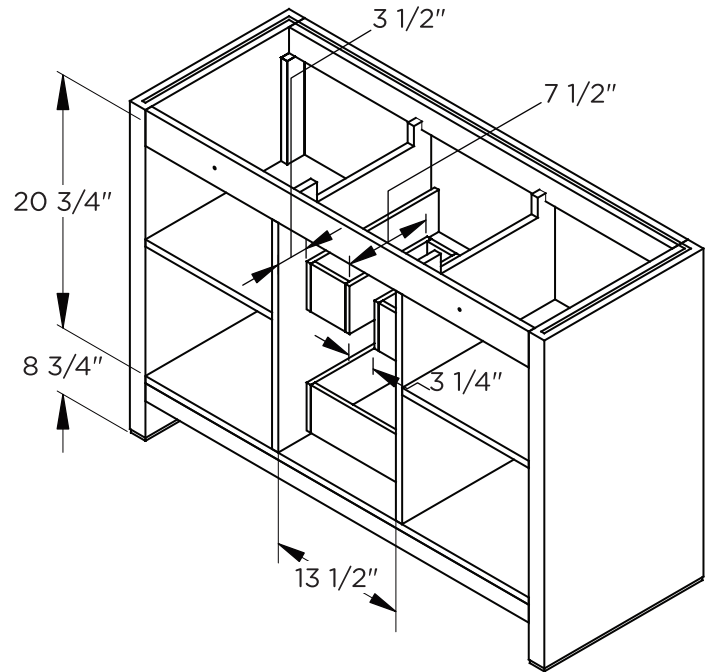
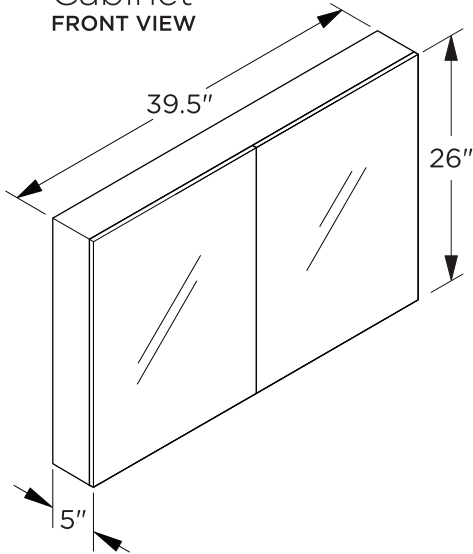


# FVN8148HA ALLIER *Rio* INSTALLATION GUIDE

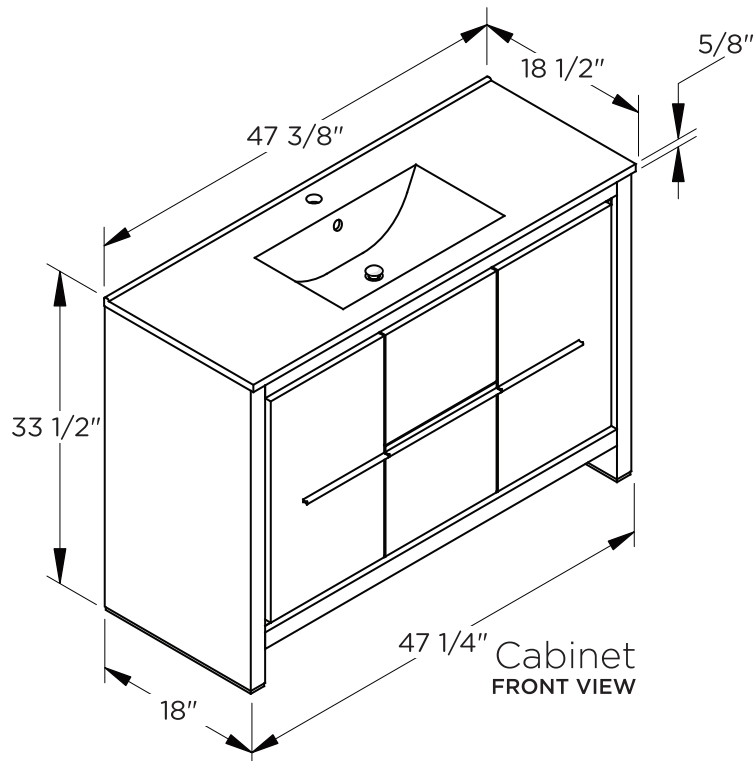


## DIMENSIONS

Medicine  
Cabinet  
FRONT VIEW



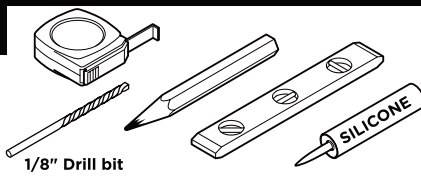
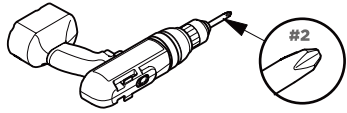
Cabinet  
REAR VIEW



Cabinet  
FRONT VIEW

**NOTE:** ALL DIMENSIONS & SPECIFICATIONS ARE APPROXIMATE AND SUBJECT TO CHANGE WITHOUT NOTICE.

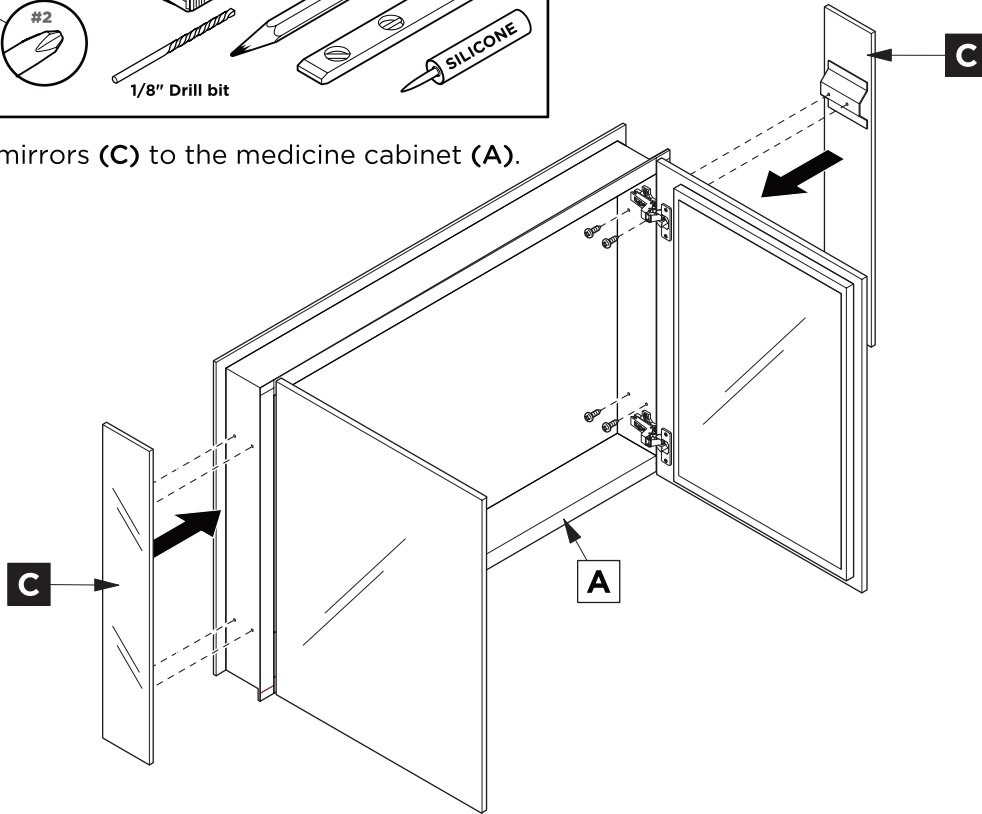
## TOOLS FOR ASSEMBLY



1/8" Drill bit

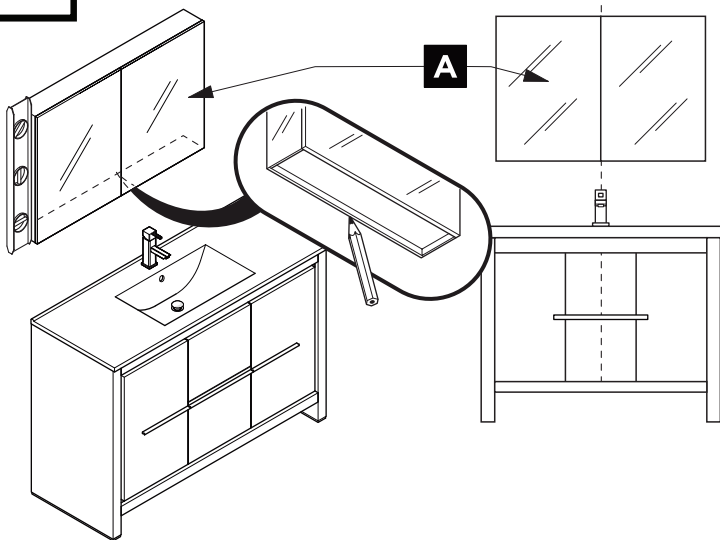
## MEDICINE CABINET INSTALLATION

**1** Attach side mirrors (C) to the medicine cabinet (A).

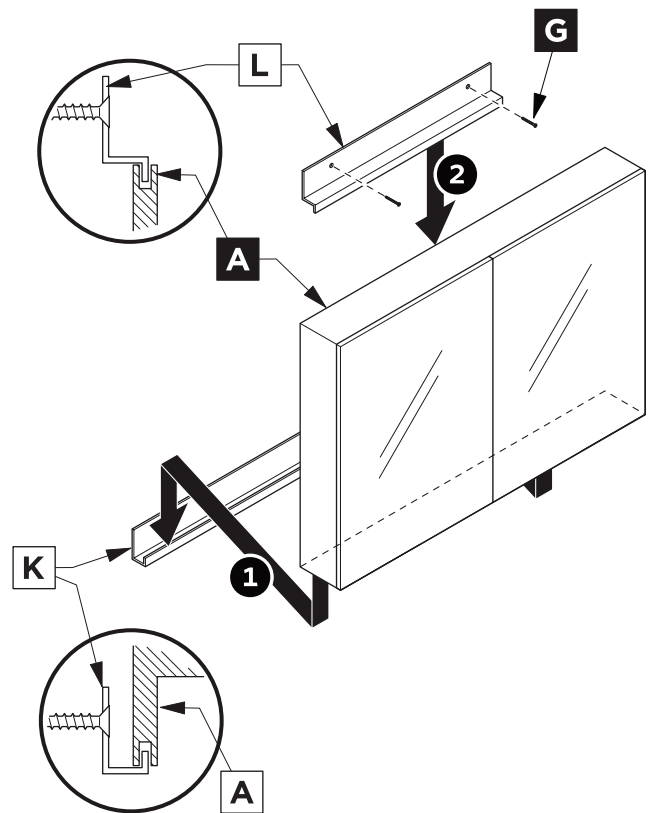


**2** Mark cabinet's (A) location.

CENTERLINE

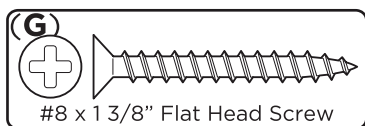


**4** \* Place cabinet (A) on the bottom bracket (K) and secure it with a top bracket (L).

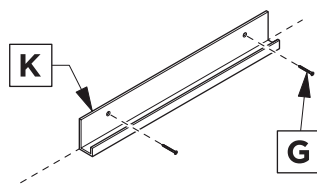


**3** Install a bottom bracket (K).

**IMPORTANT:** Consult an expert for the proper screws/bolts to use when attaching to various constructions. Screws provided **do not** attach to all wall construction types. Anchors are not required if brackets are installed in stud.



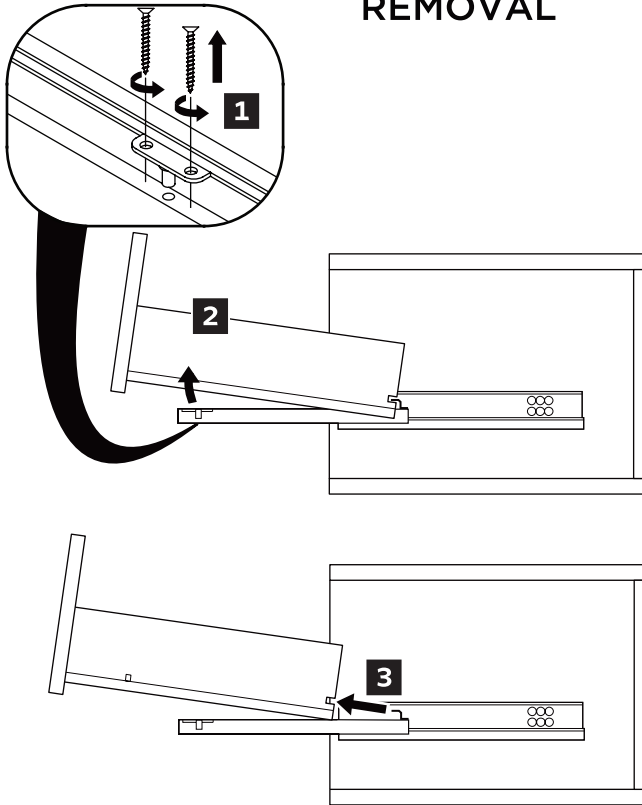
#8 x 1 3/8" Flat Head Screw



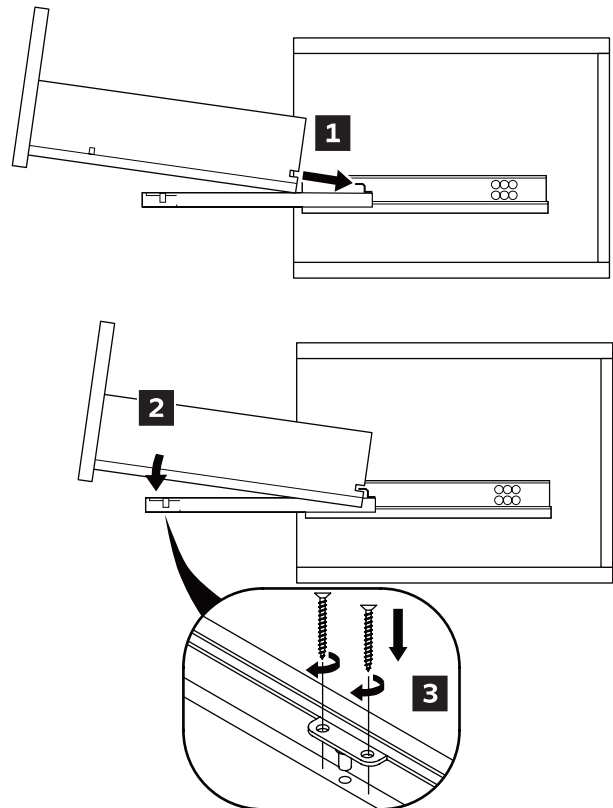
\*This step requires assistance to hold cabinet in place until top bracket is securely attached.

## DRAWER REMOVAL & INSTALLATION

### REMOVAL



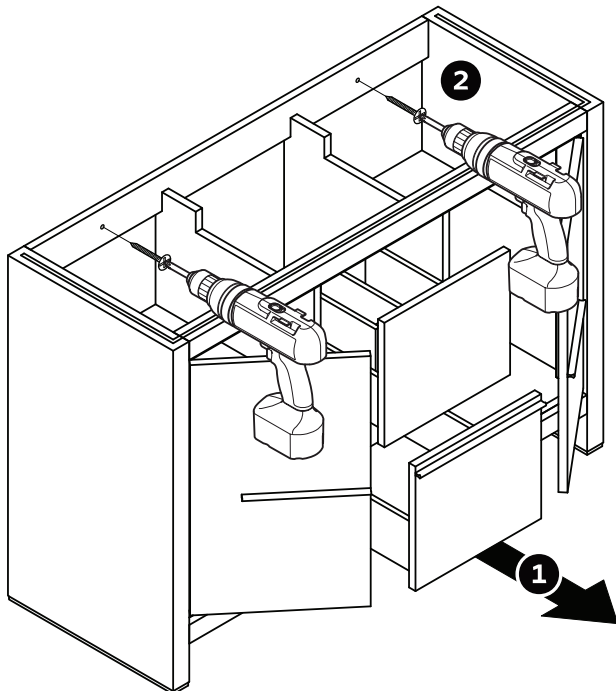
### INSTALLATION



## CABINET/SINK INSTALLATION

**1**

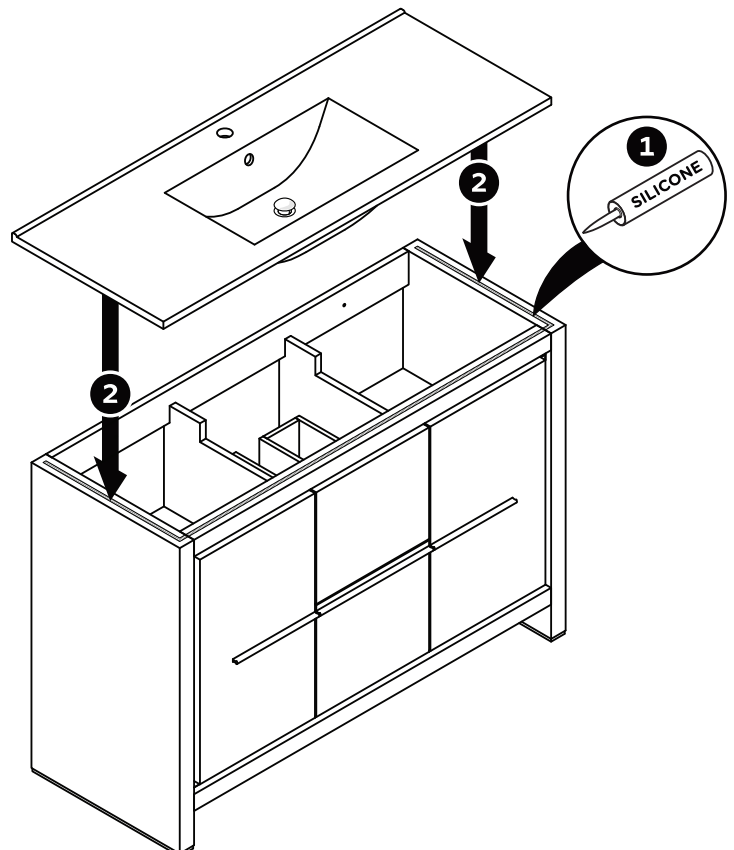
1. Remove drawer and open the door for the ease of access.
2. Attach cabinet to the wall using level and drill.



**IMPORTANT:** Consult an expert for the proper screws/bolts to use when attaching to various constructions. Screws provided **do not** attach to all wall construction types. Anchors are not required if brackets are installed in stud.

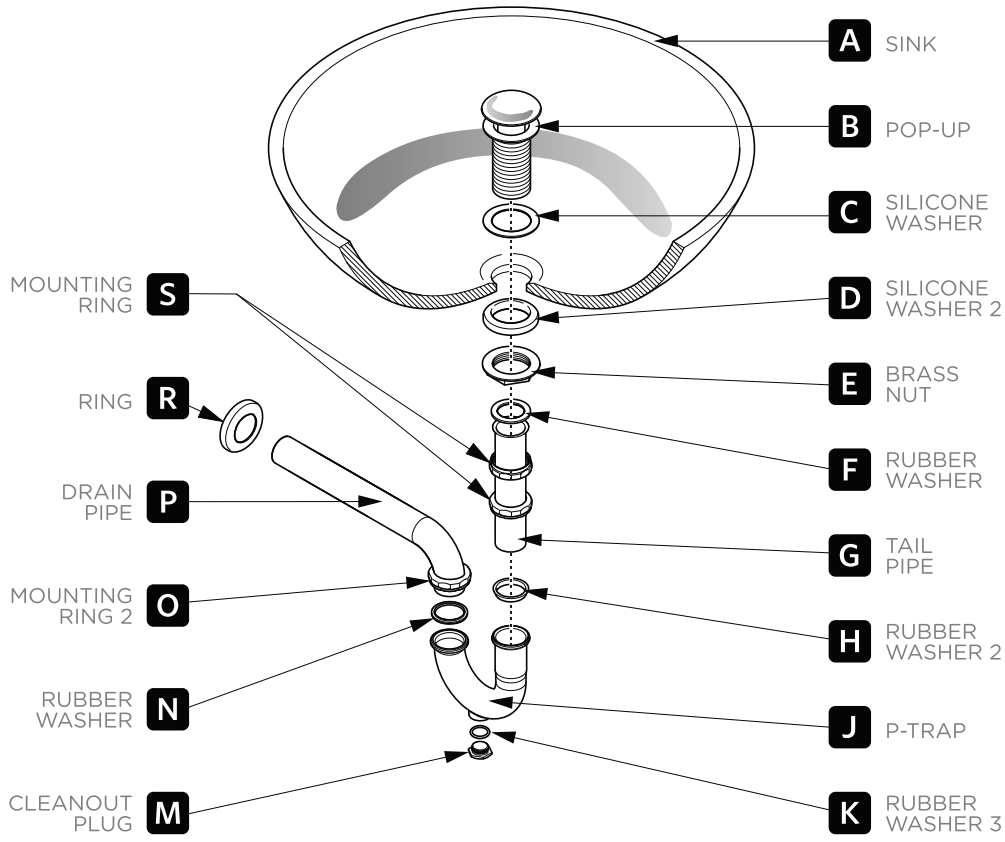
**2**

- Apply a bead of silicone on the top of the cabinet and place sink on the cabinet.



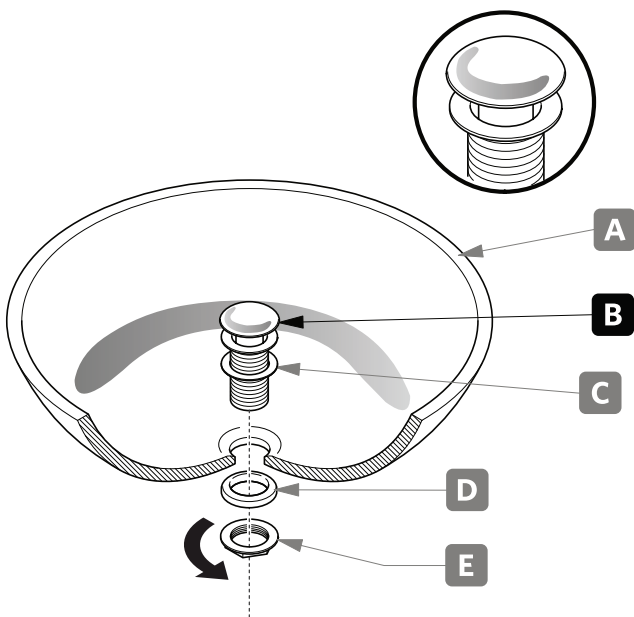
# P-TRAP & POP-UP INSTALLATION INSTRUCTIONS

Your item may appear slightly different from the illustration.



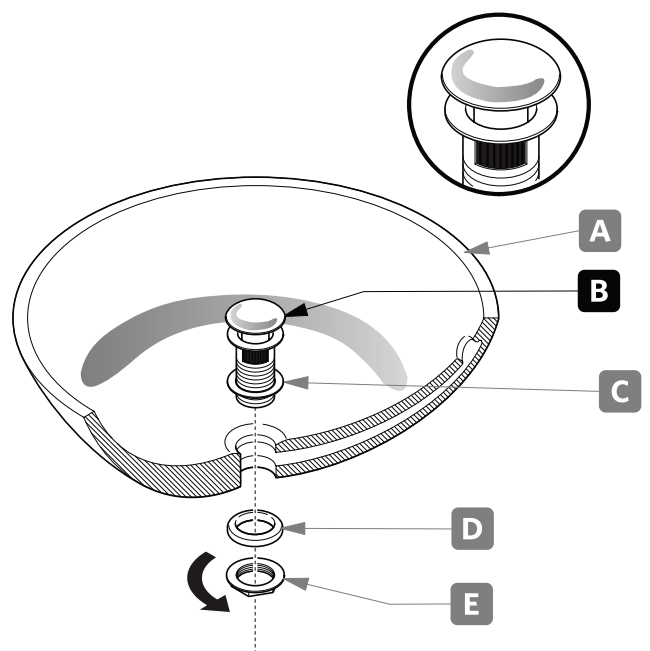
## POP-UP INSTALLATION INSTRUCTIONS

**FOR SINKS WITHOUT OVERFLOW**



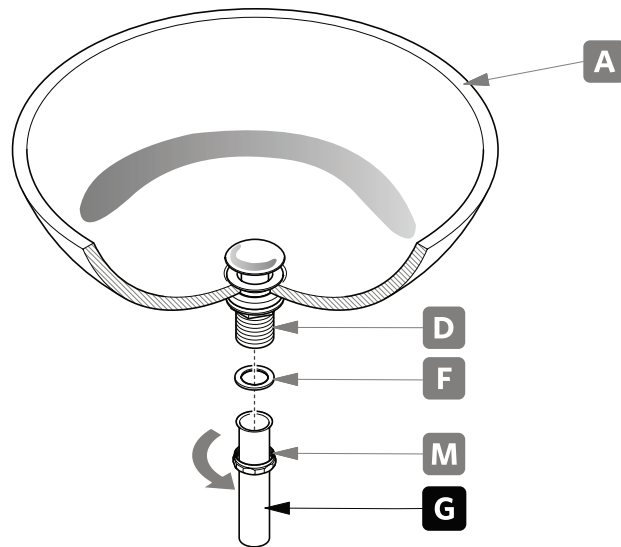
OR

**FOR SINKS WITH OVERFLOW**



# P-TRAP INSTALLATION

**1** Install Tail Pipe (G).



**2** Install P-Trap (J).

