



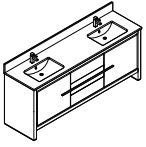
# FVN8172

# ALLIER

## INSTALLATION GUIDE

### CONTENTS:

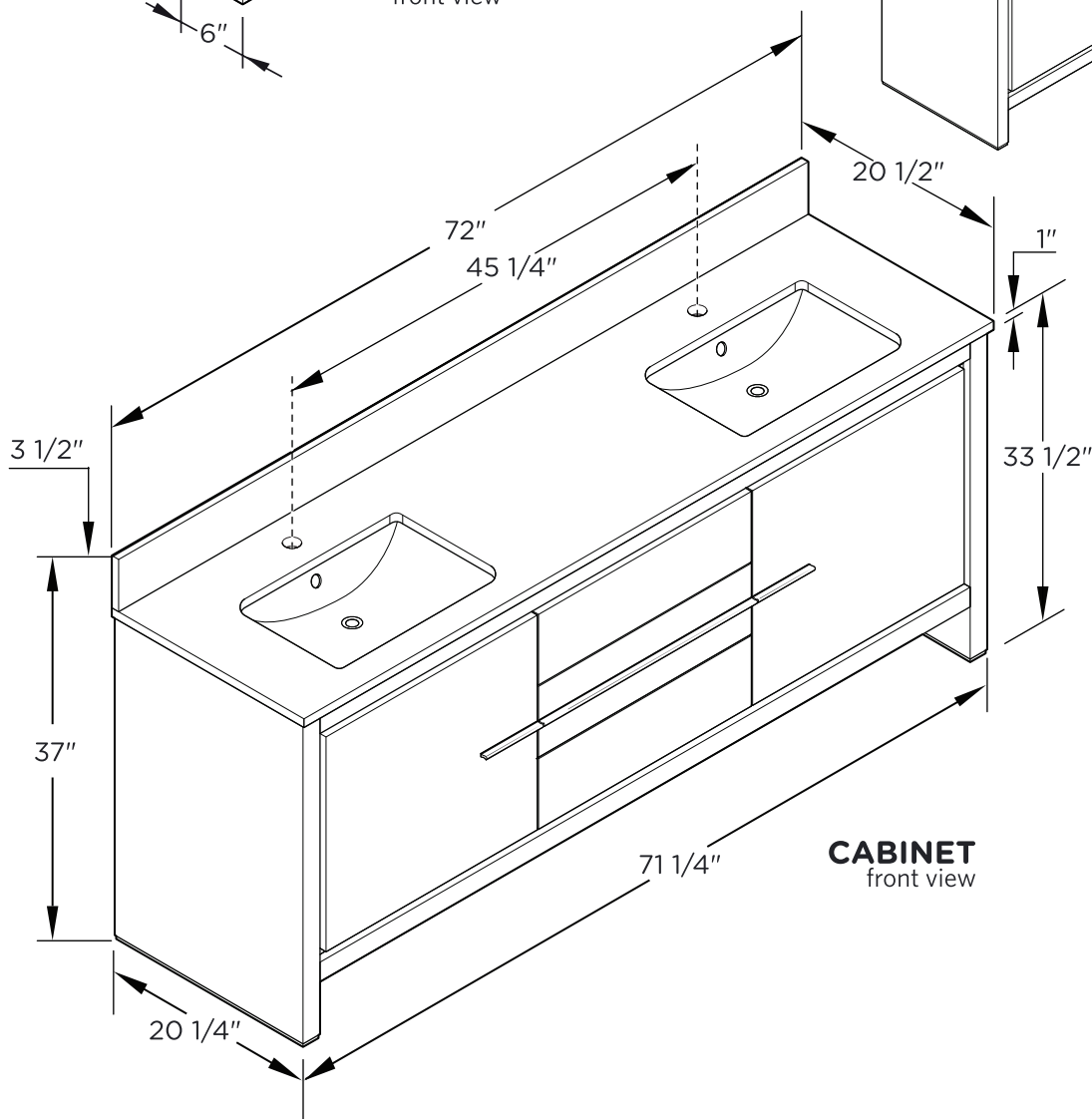
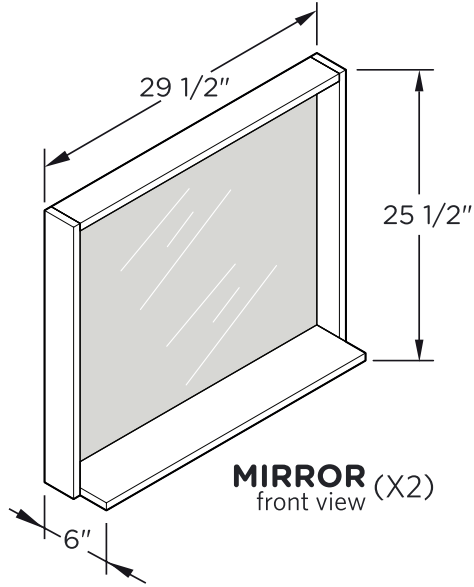
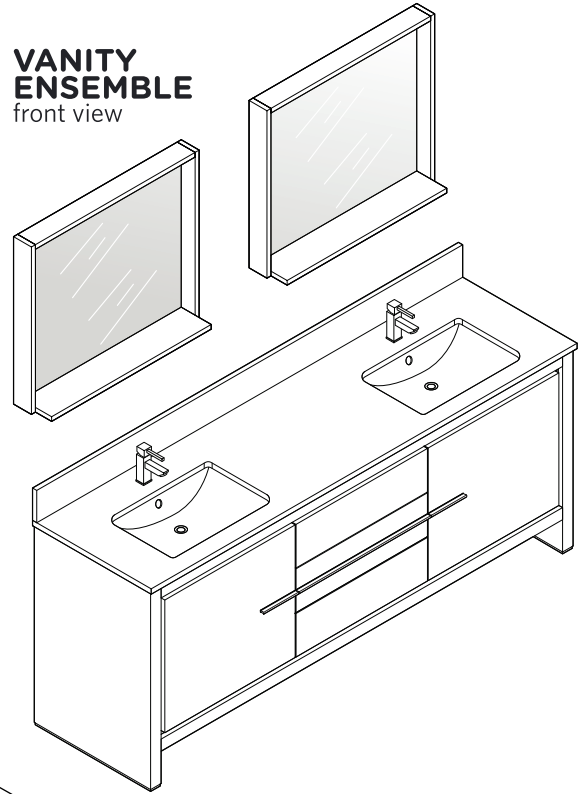
Cabinet.....	(FCB8172) .....	PAGE 3
Sink.....	(FVS8119) .....	PAGE 3
Mirror.....	(FMR8130) .....	PAGE 2
Countertop.....	(FCT8172) .....	PAGE 4



# FVN8172 ALLIER INSTALLATION GUIDE

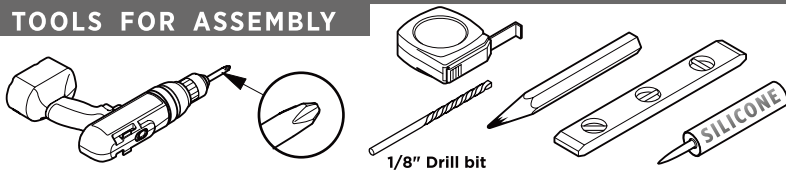


**VANITY ENSEMBLE**  
front view

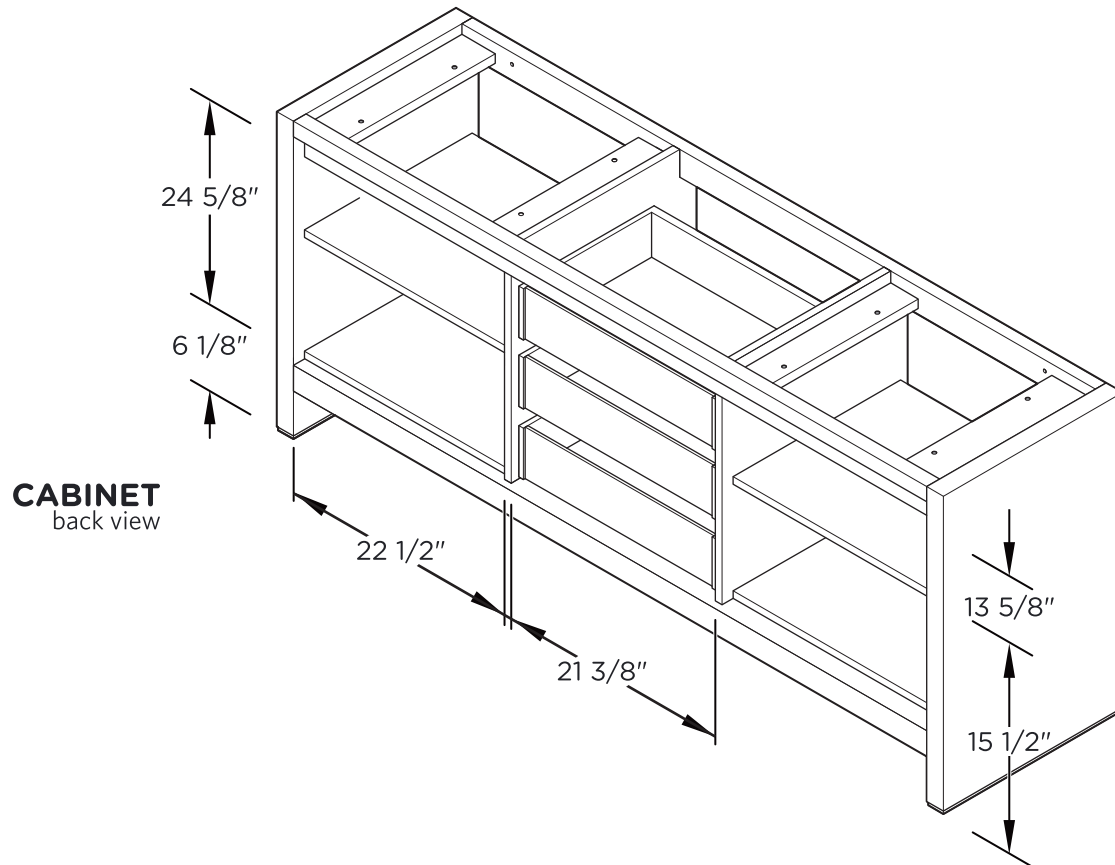


**NOTE:** ALL DIMENSIONS & SPECIFICATIONS ARE APPROXIMATE AND SUBJECT TO CHANGE WITHOUT NOTICE.

## TOOLS FOR ASSEMBLY

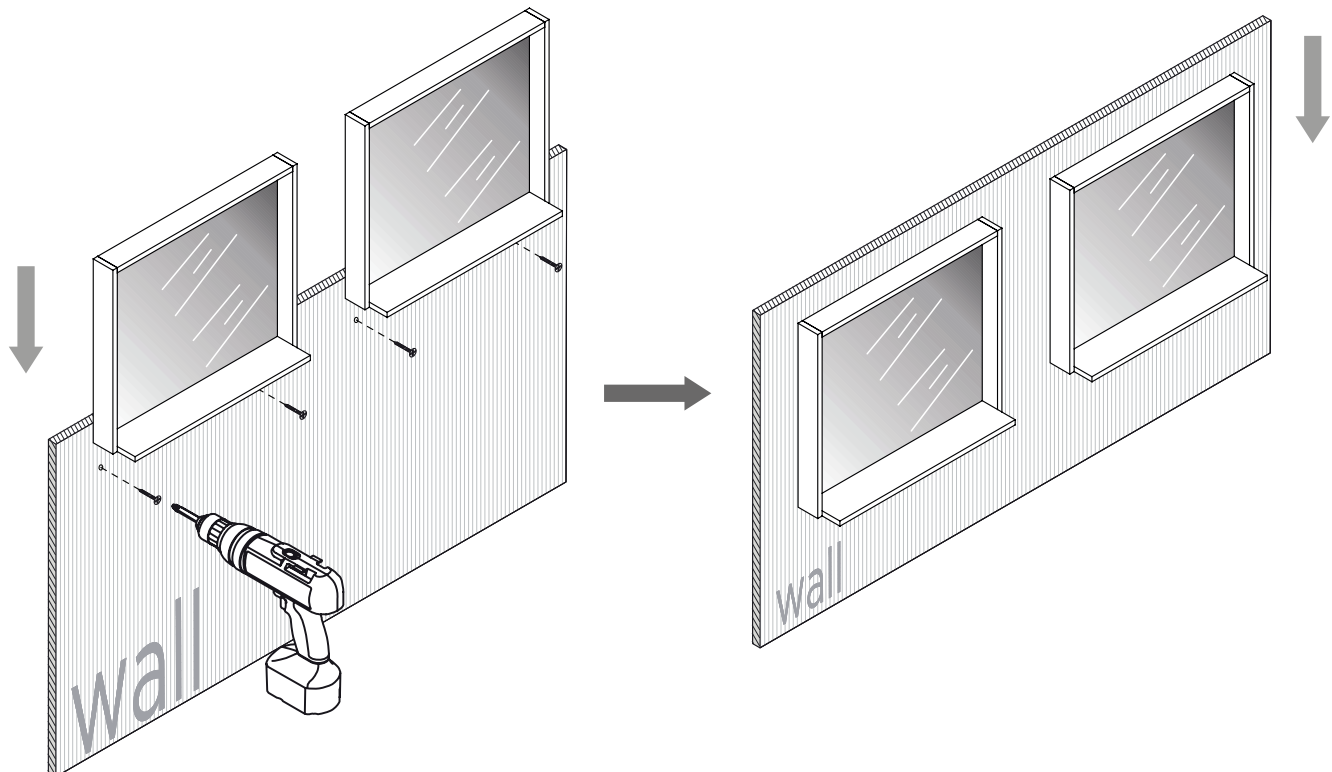


## MIRRORS INSTALLATION



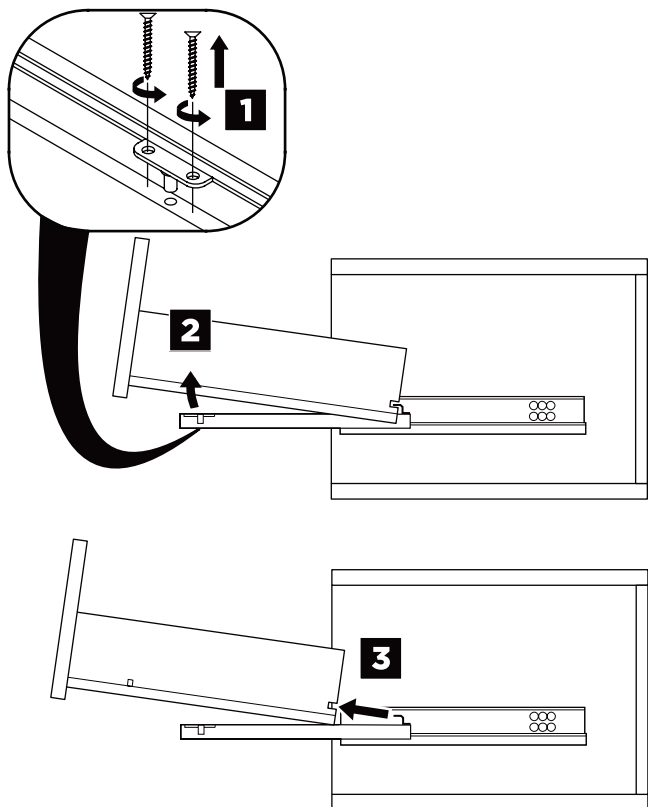
NOTE: ALL DIMENSIONS & SPECIFICATIONS ARE APPROXIMATE AND SUBJECT TO CHANGE WITHOUT NOTICE.

## MIRRORS INSTALLATION

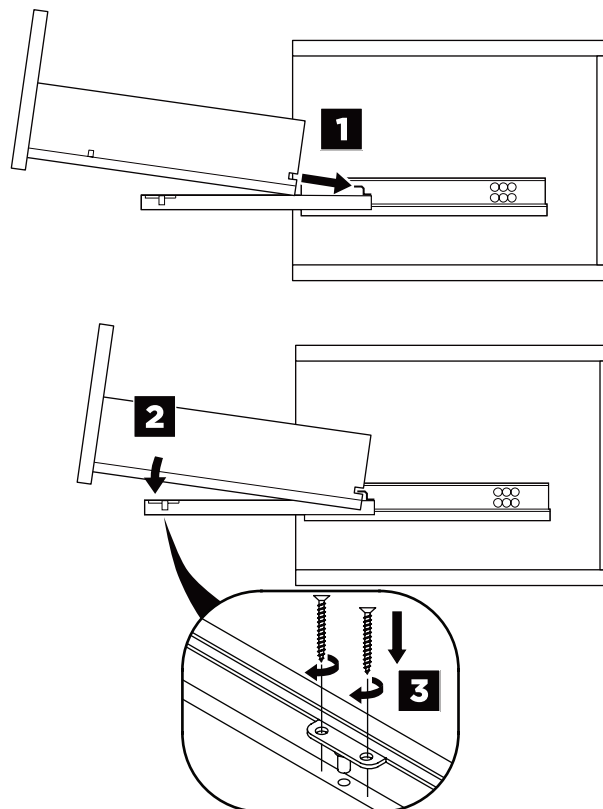


# DRAWER REMOVAL & INSTALLATION

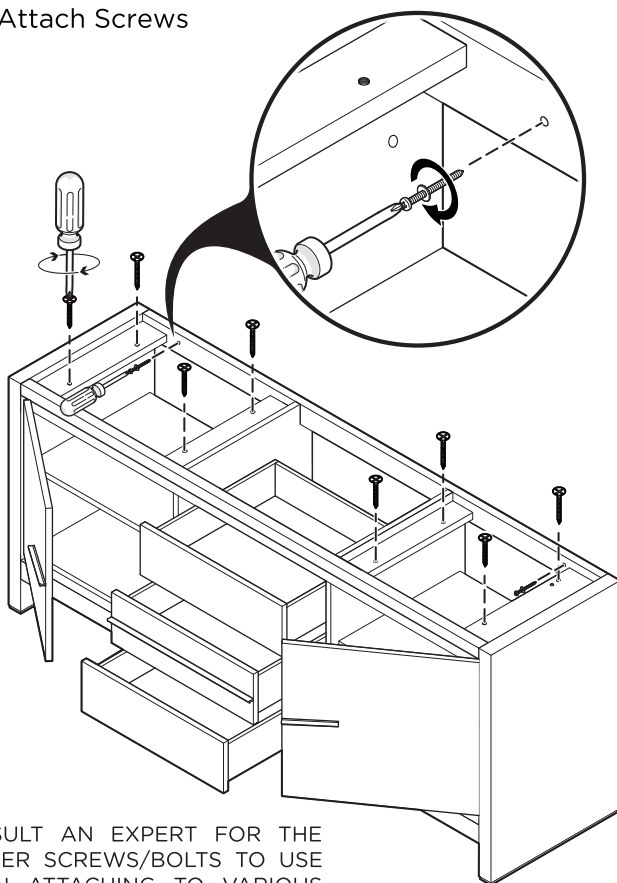
## REMOVAL



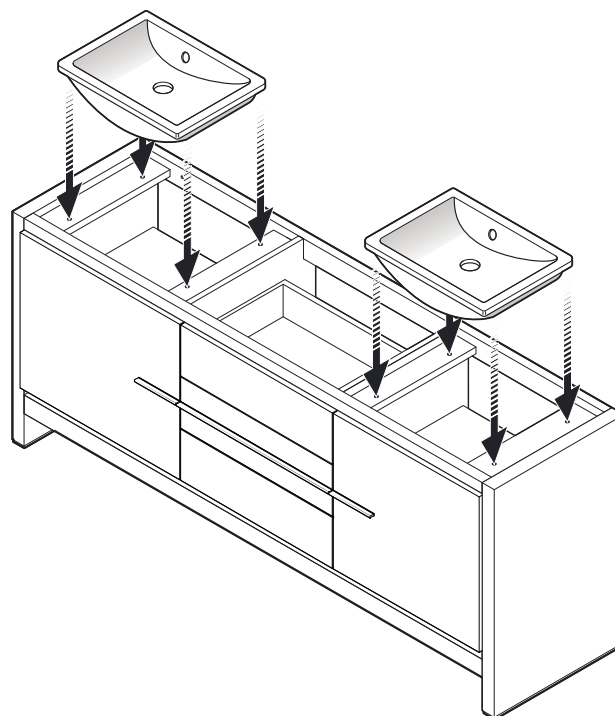
## INSTALLATION



### 1 Attach Screws

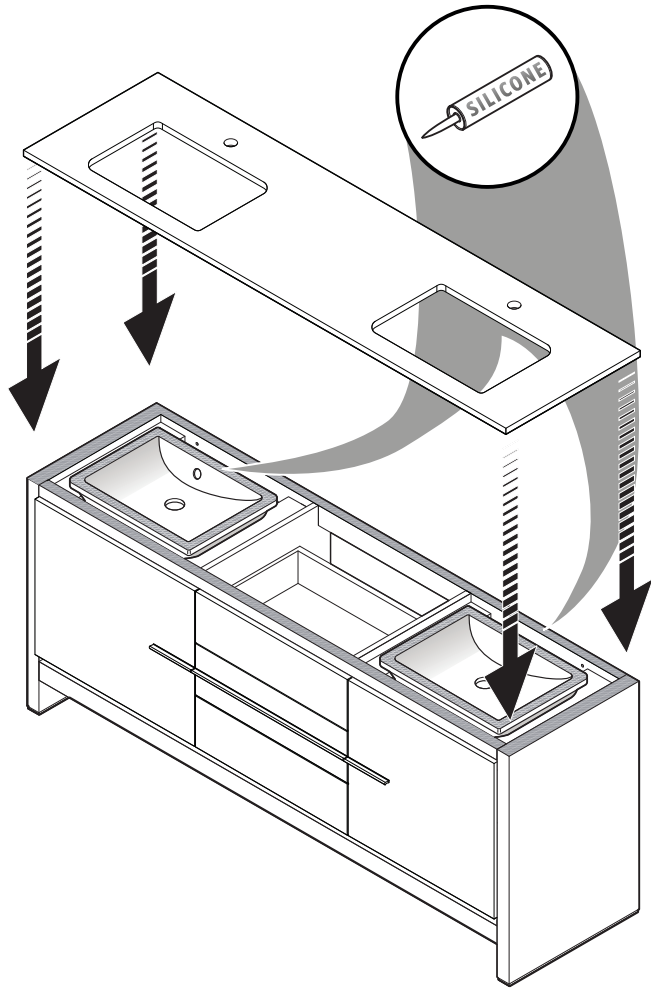


### 2 Install Sinks

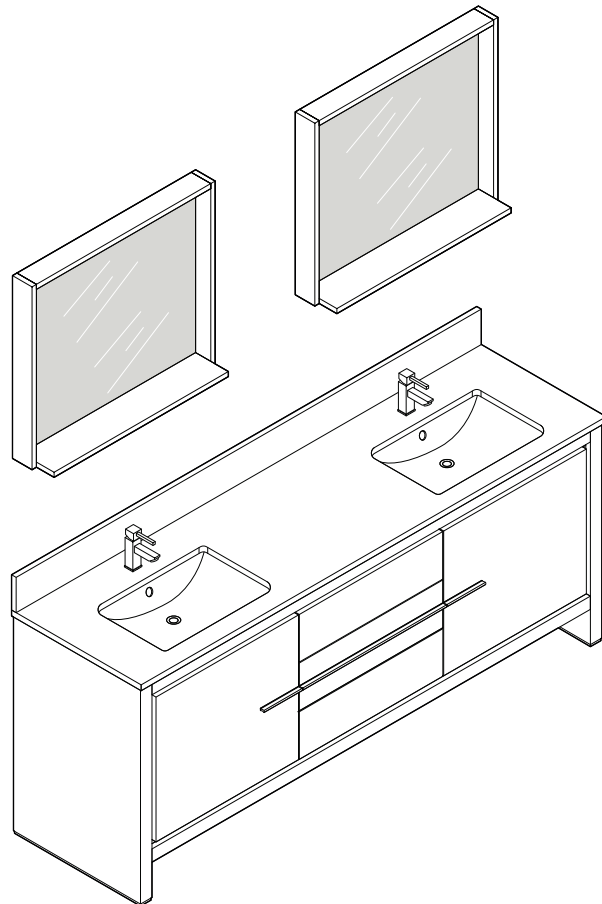
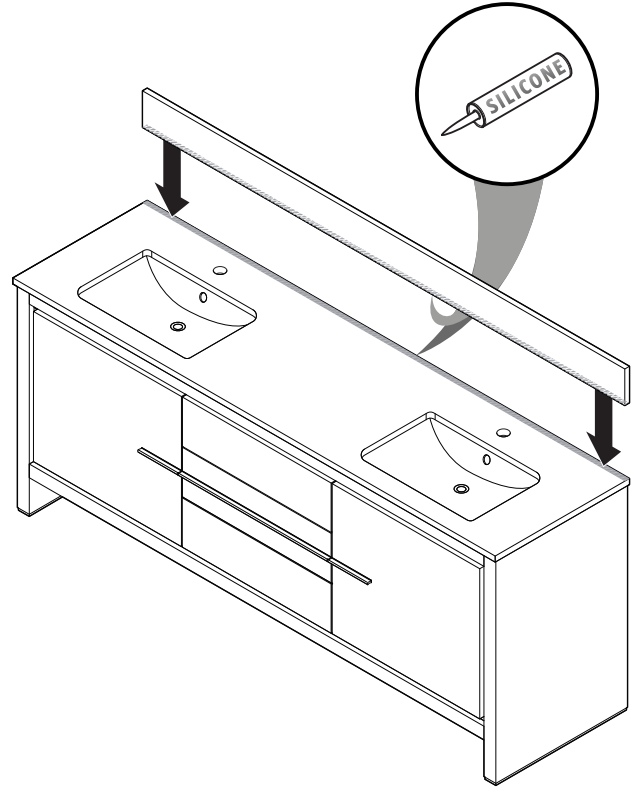


**!** CONSULT AN EXPERT FOR THE PROPER SCREWS/BOLTS TO USE WHEN ATTACHING TO VARIOUS WALL CONSTRUCTIONS. SCREWS PROVIDED **DO NOT** ATTACH TO ALL WALL CONSTRUCTION TYPES.

**3** Install Countertop



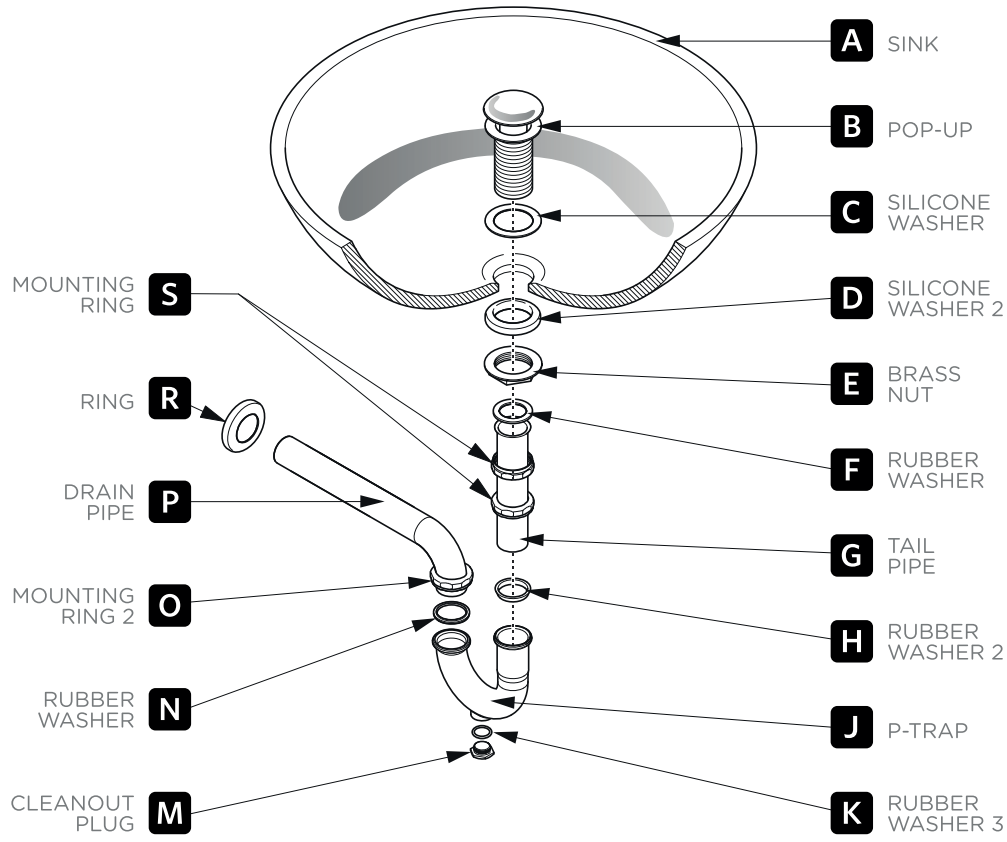
**4** Install Backsplash



# P-TRAP & POP-UP

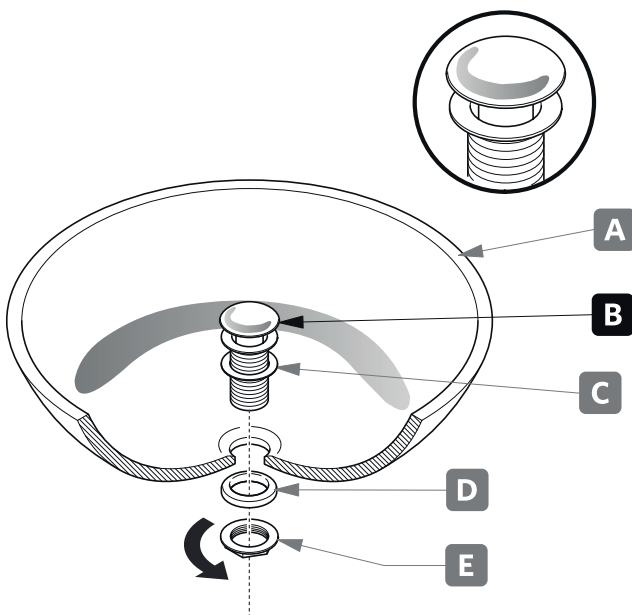
## INSTALLATION INSTRUCTIONS

Your item may appear slightly different from the illustration.



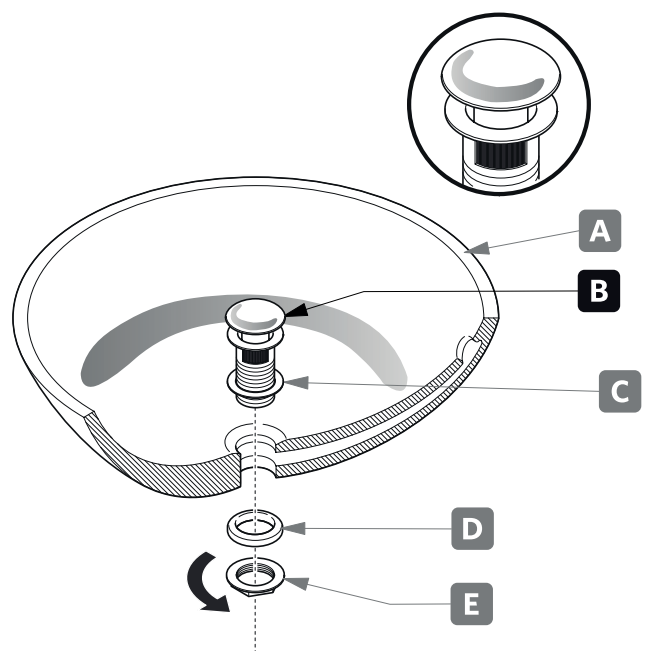
## POP-UP INSTALLATION

**FOR SINKS WITHOUT OVERFLOW**



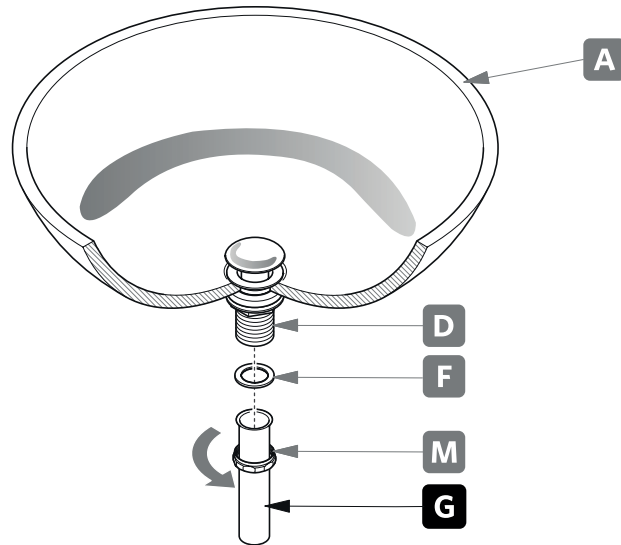
OR

**FOR SINKS WITH OVERFLOW**



# P-TRAP INSTALLATION

**1** Install tail pipe (G).



**2** Install P-trap (J).

