



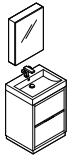
FVN8424

VALENCIA

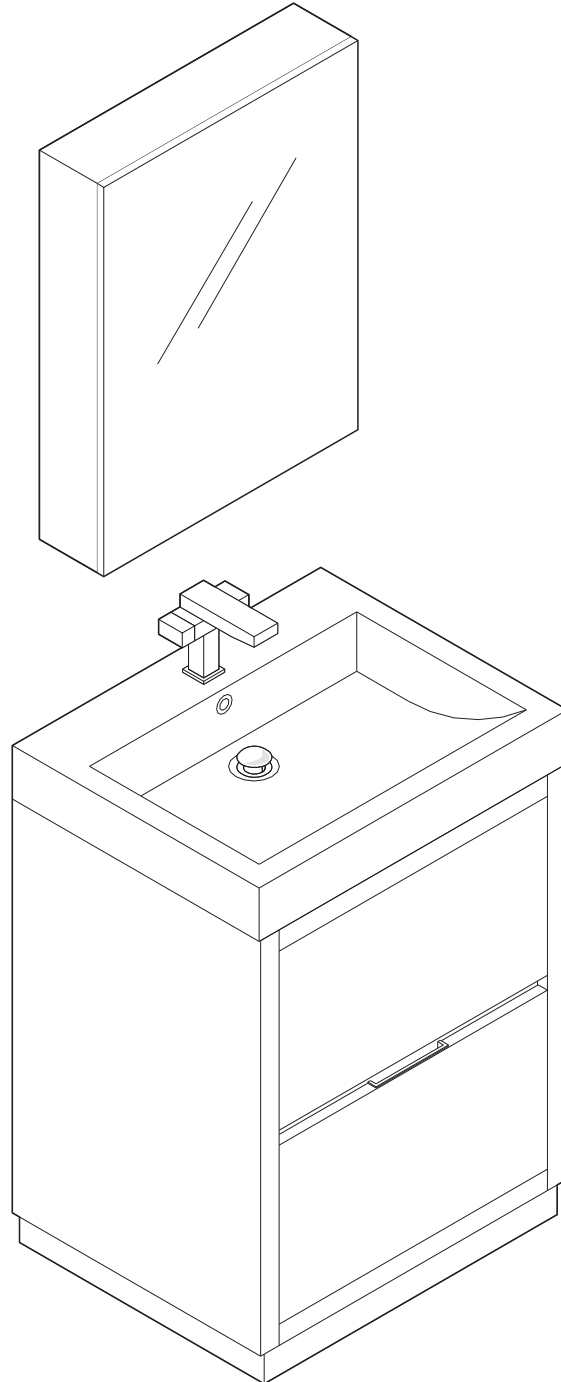
INSTALLATION GUIDE

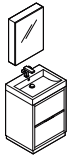
CONTENTS:

Cabinet.....	(FCB8424).....	PAGE 4
Sink.....	(FVS8006WH).....	PAGE 4
Medicine Cabinet.....	(FMC8058).....	PAGE 3



FVN8424 VALENCIA INSTALLATION GUIDE



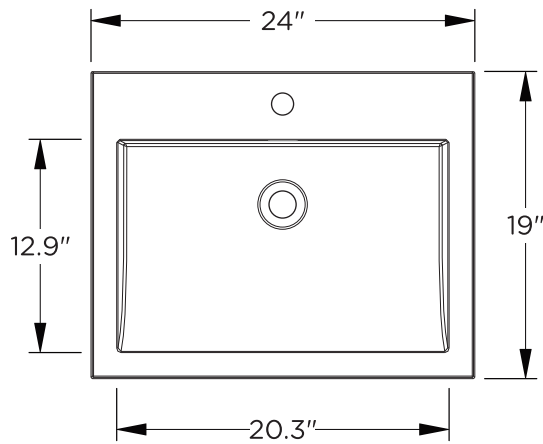


FVN8424 VALENCIA INSTALLATION GUIDE

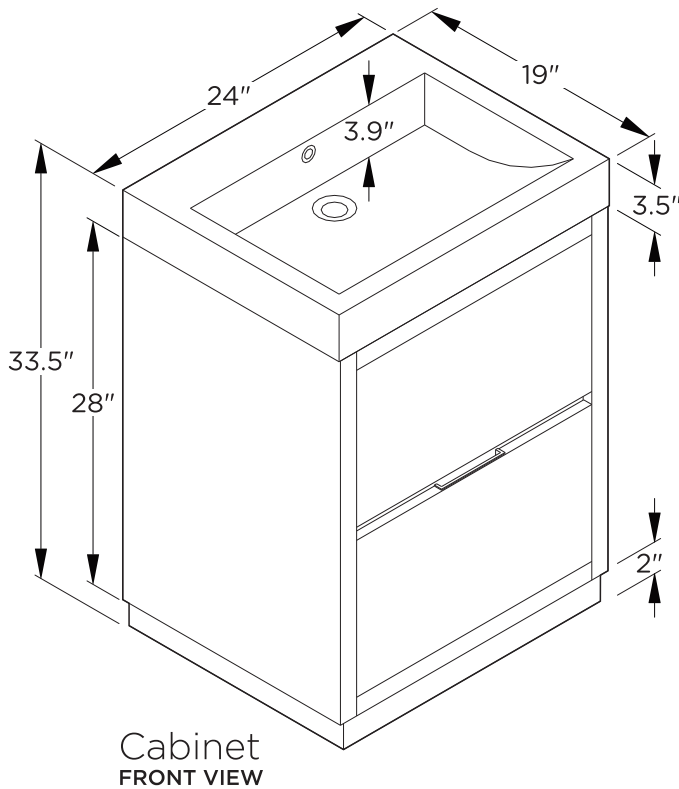
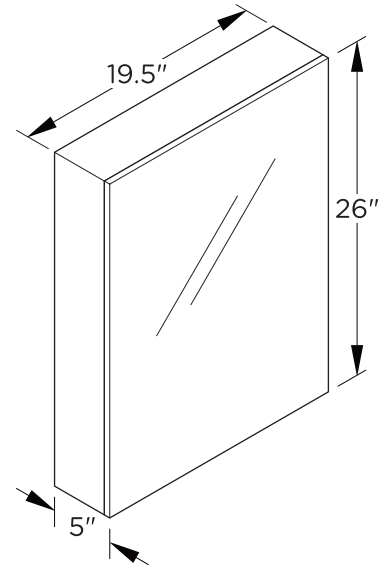


DIMENSIONS

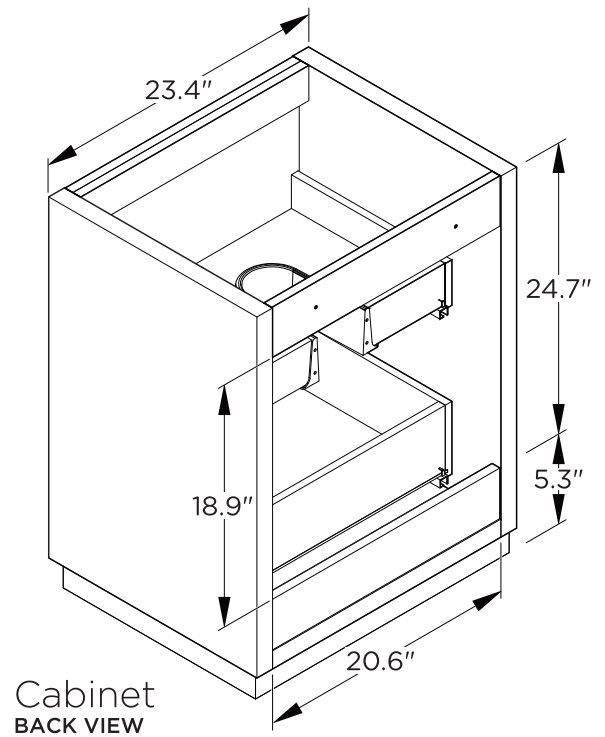
Sink
TOP VIEW



Medicine Cabinet
FRONT VIEW



Cabinet
FRONT VIEW

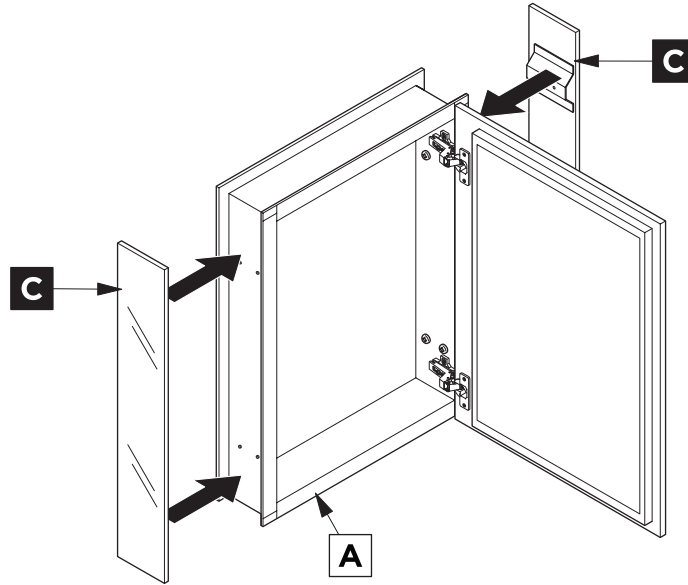


Cabinet
BACK VIEW

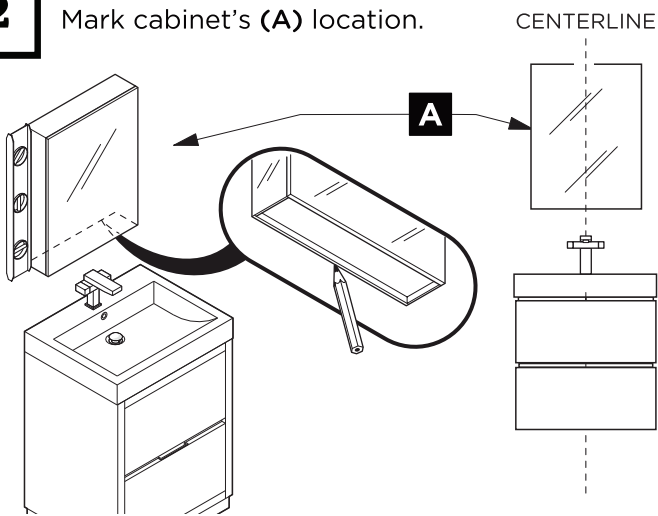
NOTE: ALL DIMENSIONS & SPECIFICATIONS ARE APPROXIMATE AND SUBJECT TO CHANGE WITHOUT NOTICE.

MEDICINE CABINET INSTALLATION

1 Install side mirrors (C).

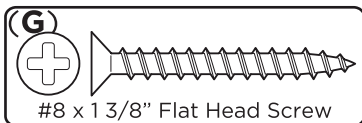
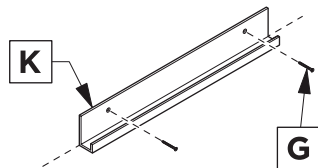


2 Mark cabinet's (A) location.

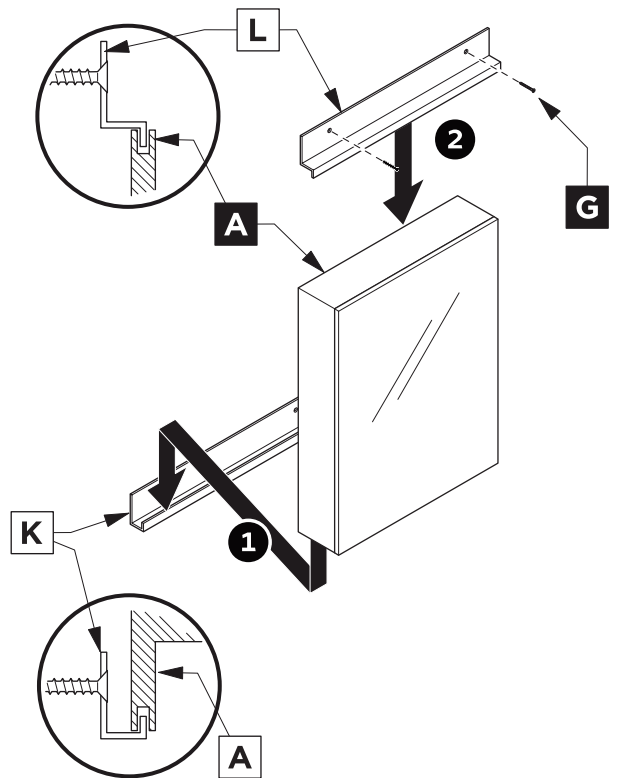


3 Install a bottom bracket (K).

IMPORTANT: Consult an expert for the proper screws/bolts to use when attaching to various constructions. Screws provided do not attach to all wall construction types. Anchors are not required if brackets are installed in stud.



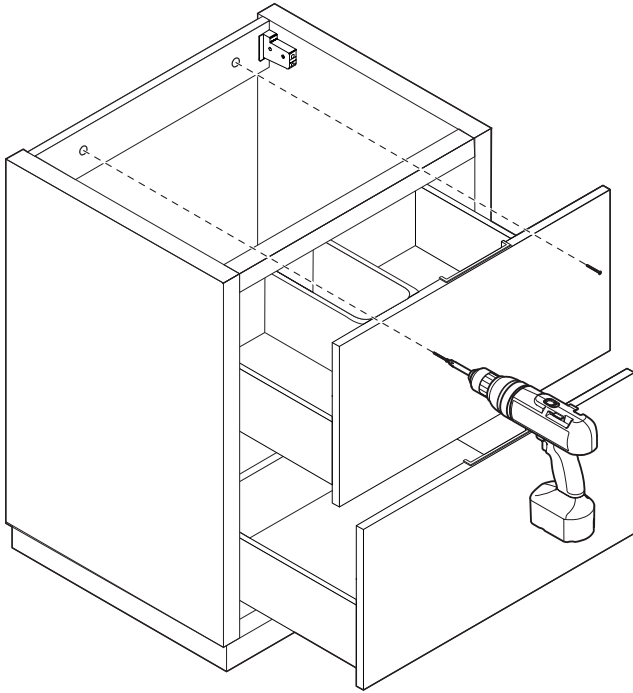
4 * Place cabinet (A) on the bottom bracket (K) and secure it with a top bracket (L).



*This step requires assistance to hold cabinet in place until top bracket is securely attached.

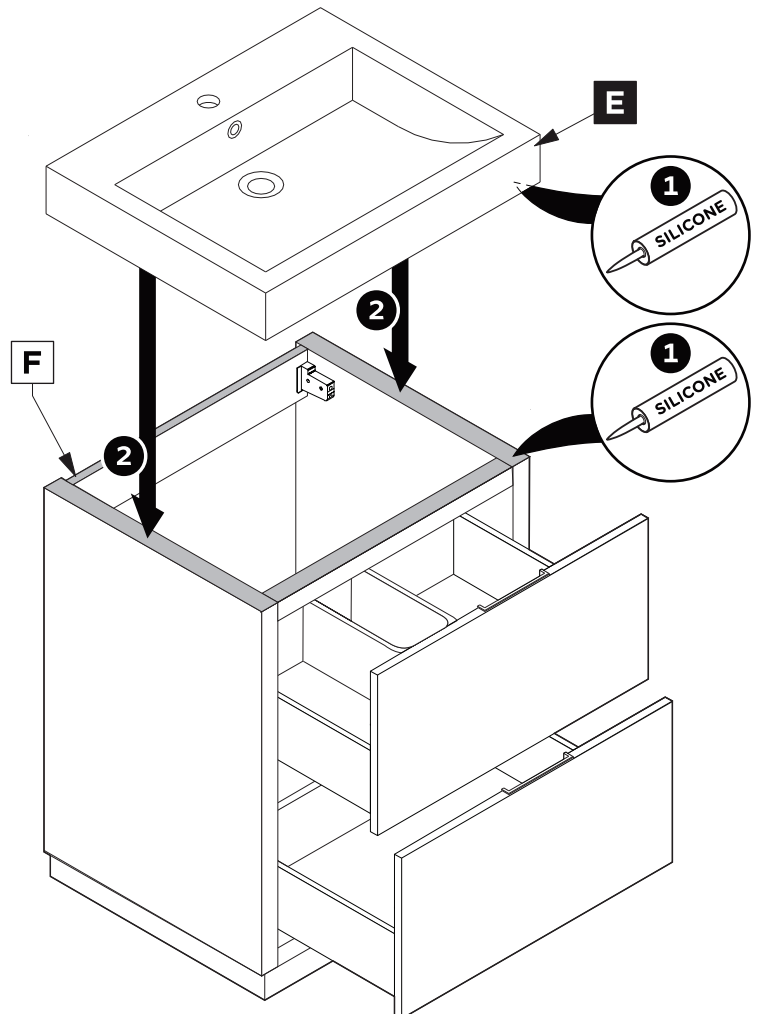
CABINET INSTALLATION

1 Attach cabinet (F) to the wall.

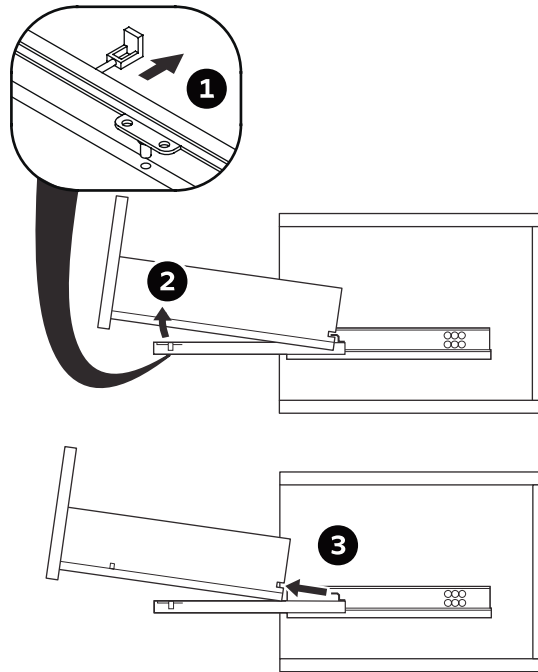


IMPORTANT: Consult an expert for the proper screws/bolts to use when attaching to various constructions. Screws provided do not attach to all wall construction types. Anchors are not required if brackets are installed in stud.

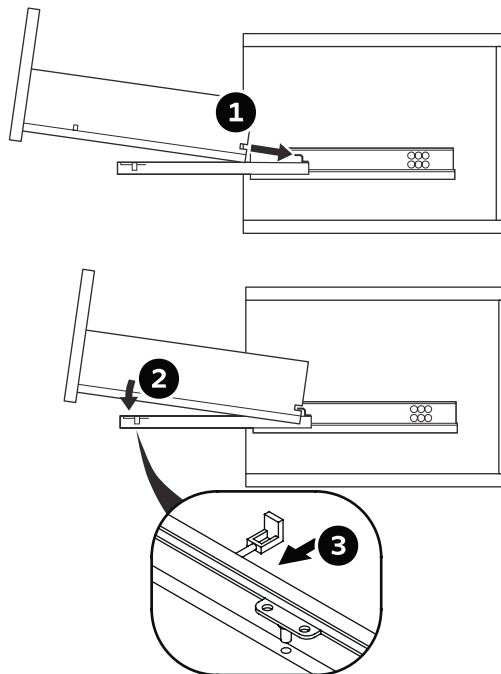
2 Apply a bead of silicone on the top of the cabinet (F) and place sink (E) on it.



DRAWER REMOVAL

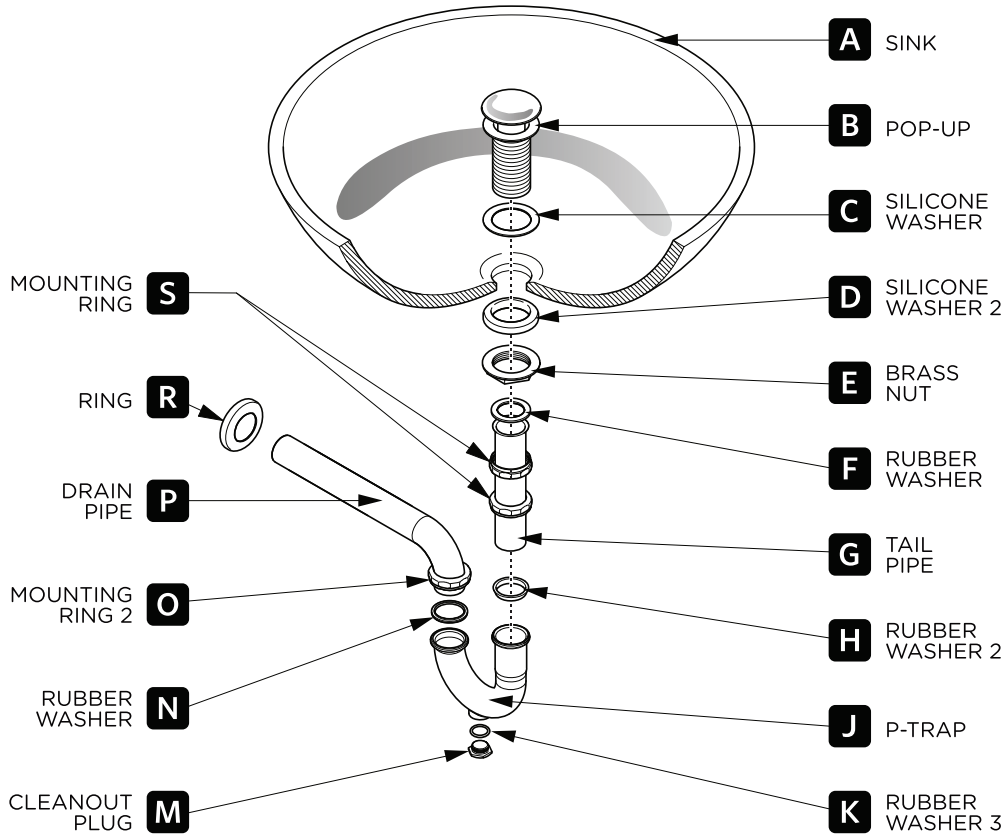


DRAWER INSTALLATION



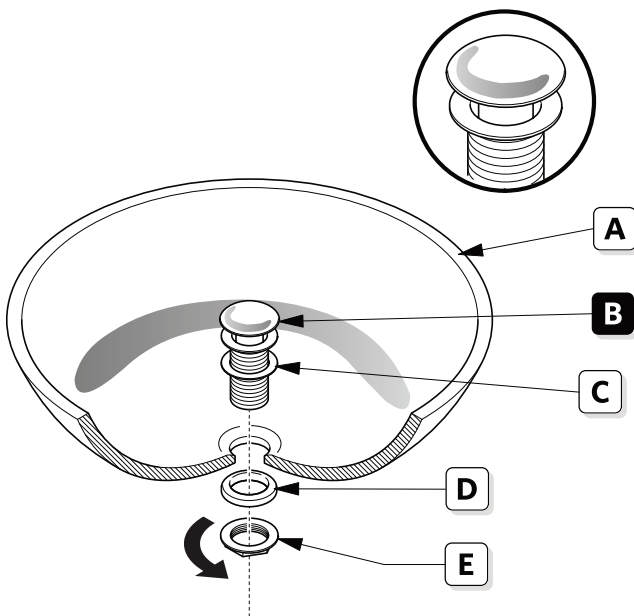
P-TRAP & POP-UP INSTALLATION INSTRUCTIONS

Your item may appear slightly different from the illustration.



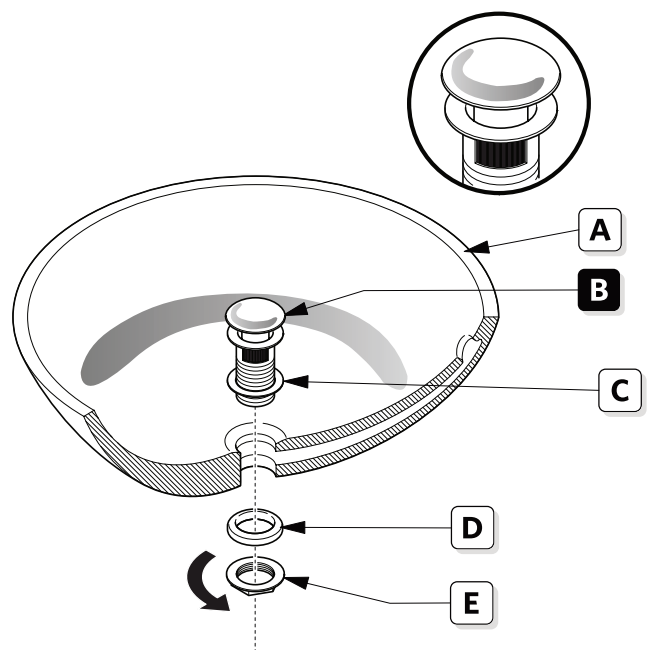
POP-UP INSTALLATION INSTRUCTIONS

FOR SINKS WITHOUT OVERFLOW



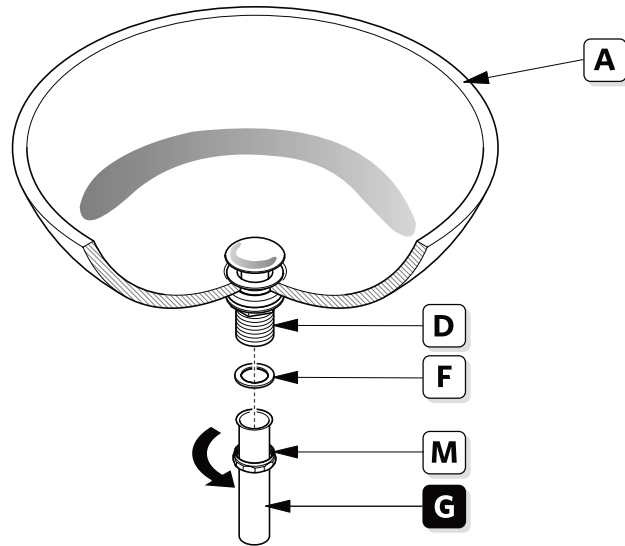
OR

FOR SINKS WITH OVERFLOW



P-TRAP INSTALLATION

1 Install Tail Pipe (G).



2 Install P-Trap (J).

