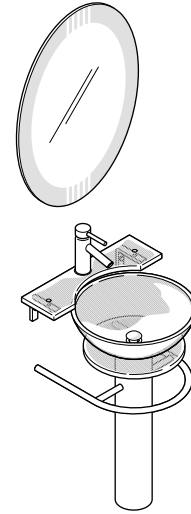
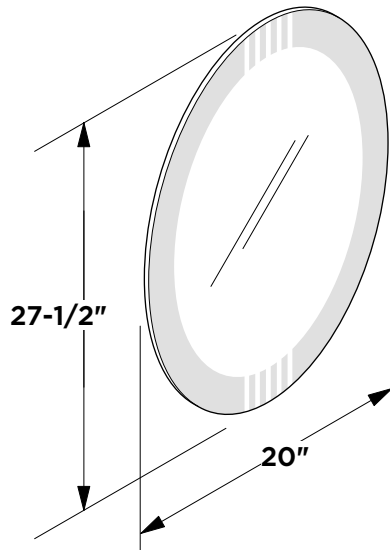


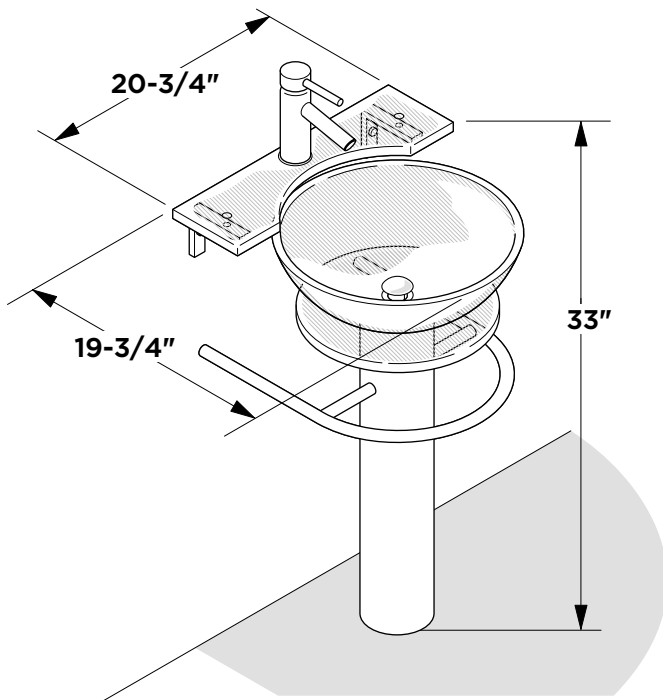


Mirror

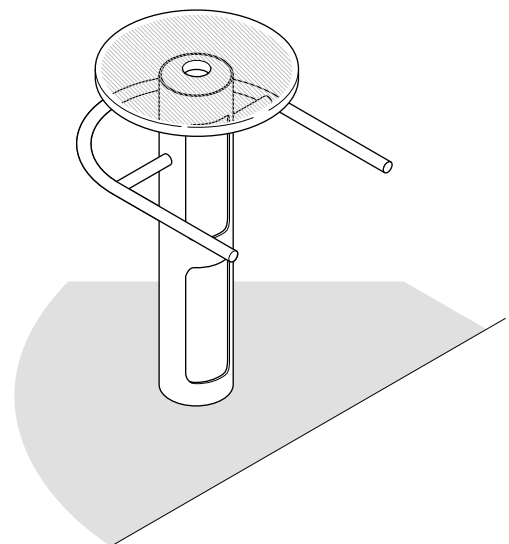


FVN1019

Vanity Front



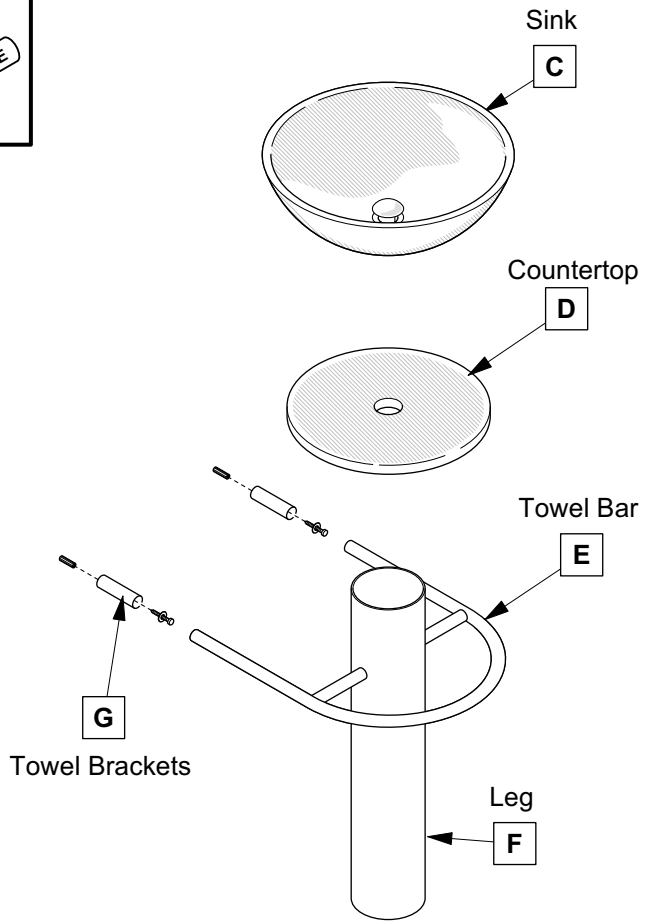
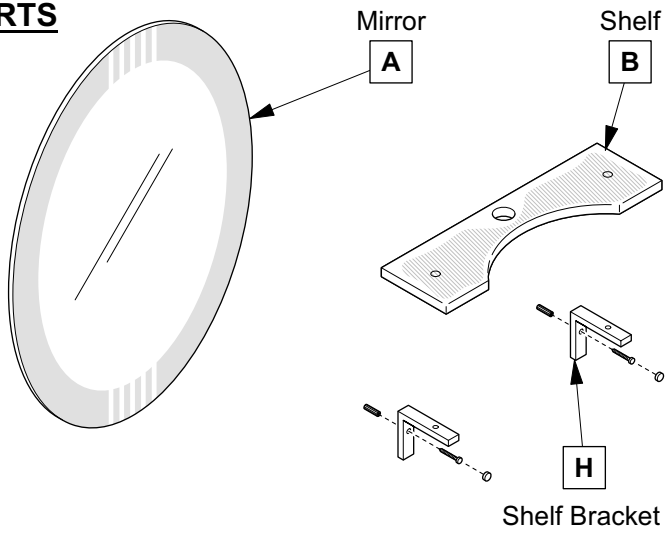
Vanity Back



TOOLS FOR ASSEMBLY



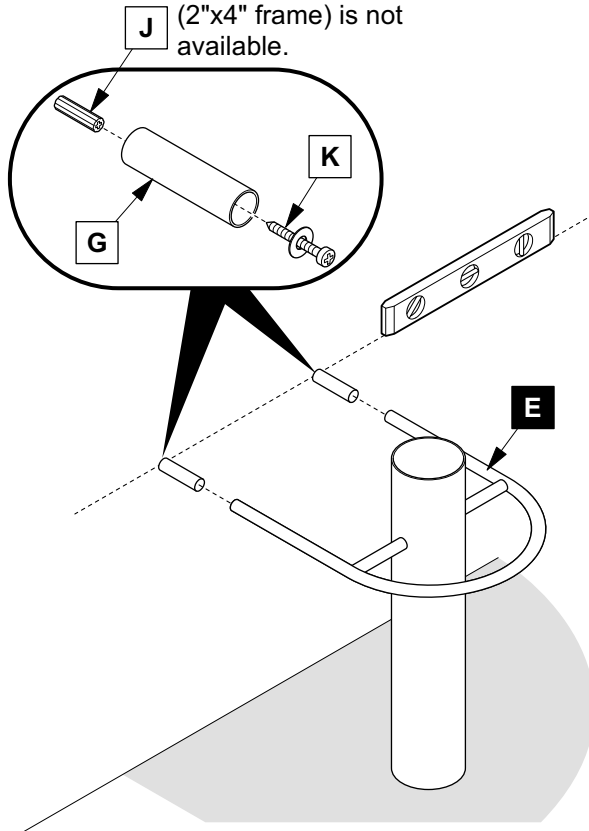
PARTS



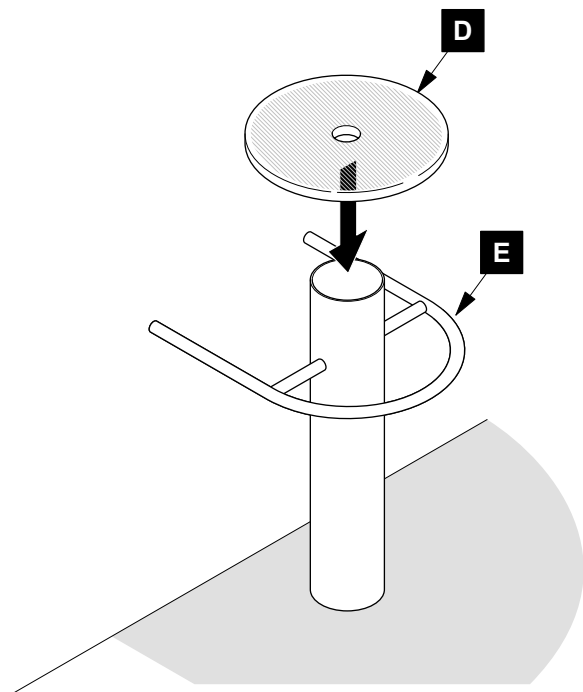
1 Install towel bar (E)

IMPORTANT: Consult an expert for the proper screws/bolts to use when attaching to various wall constructions. Screws provided do not attach to all wall construction types.

NOTE: Only use anchors (J) if stud (2"x4" frame) is not available.

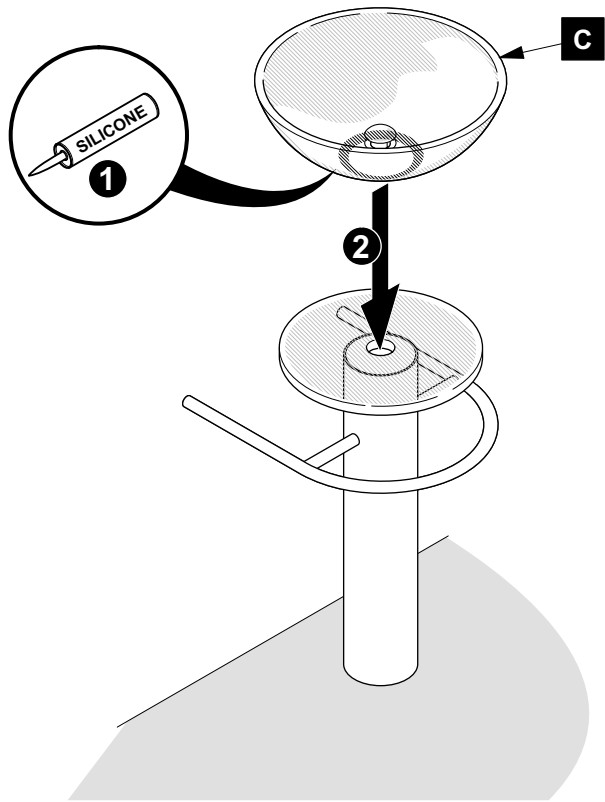


2 Install countertop (D)



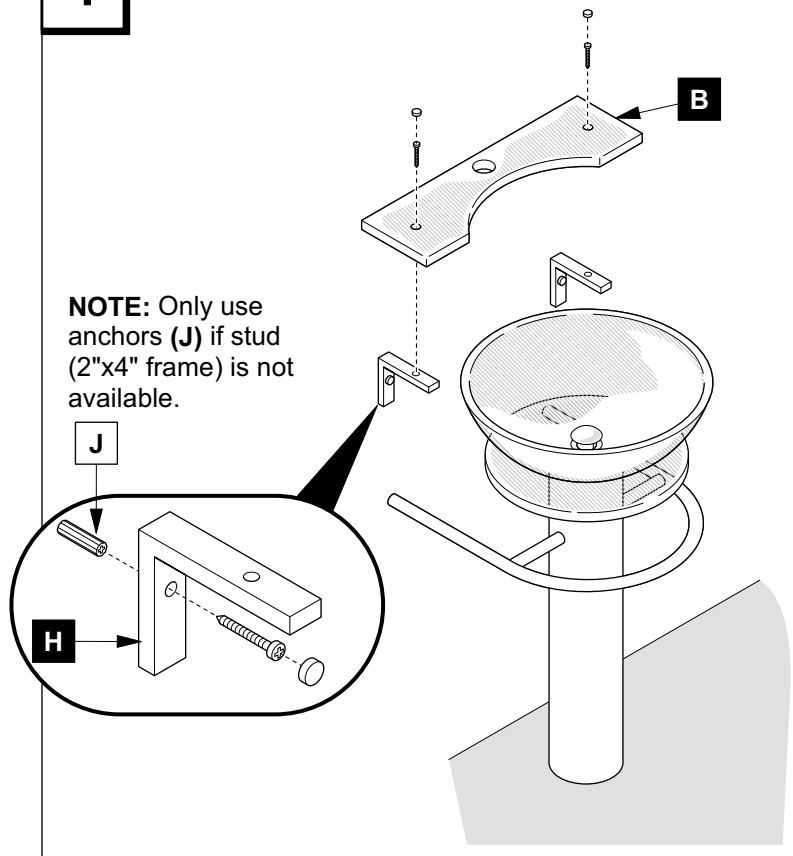
3

Install sink (C)



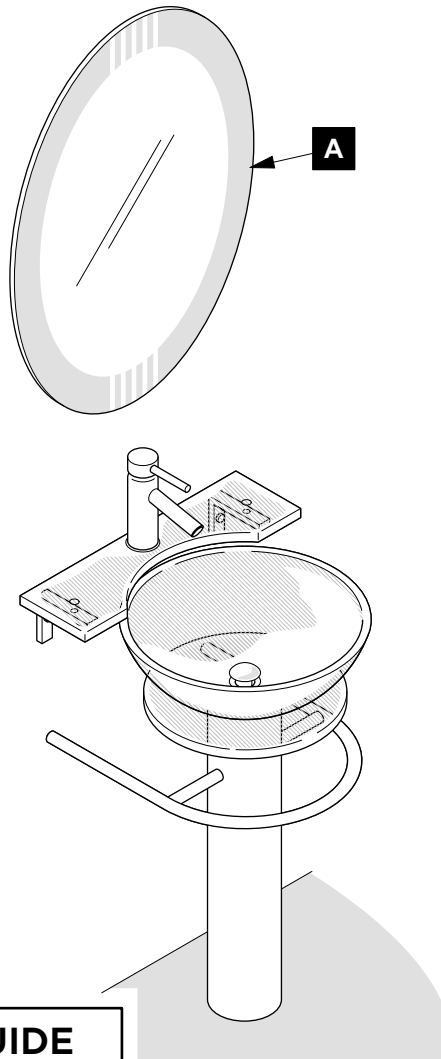
4

Install shelf (B)

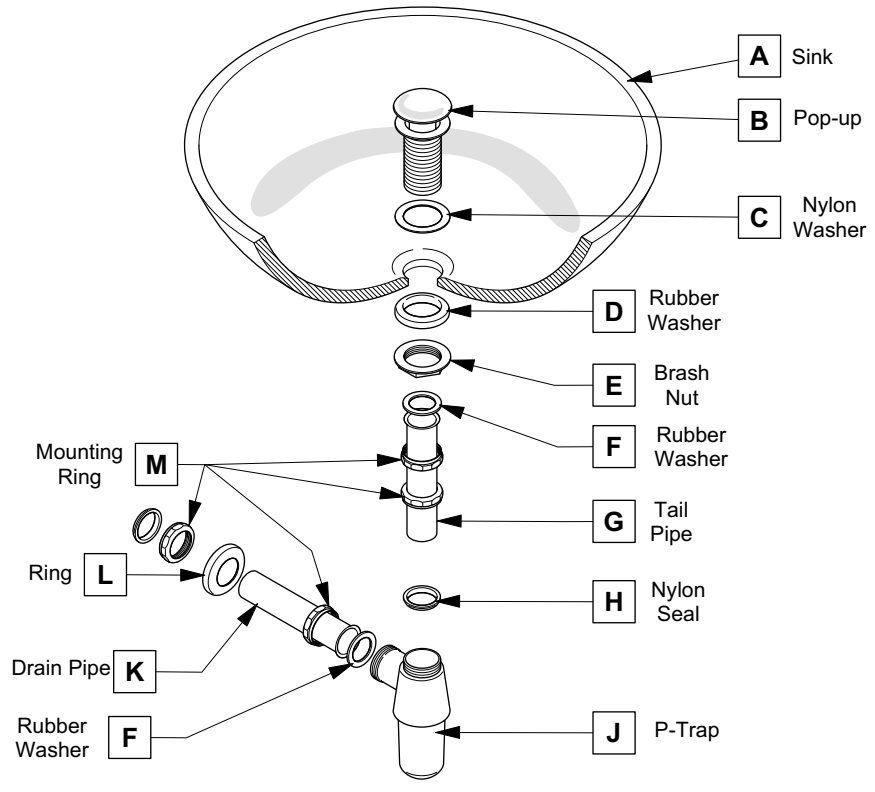


5

Install mirror (A)

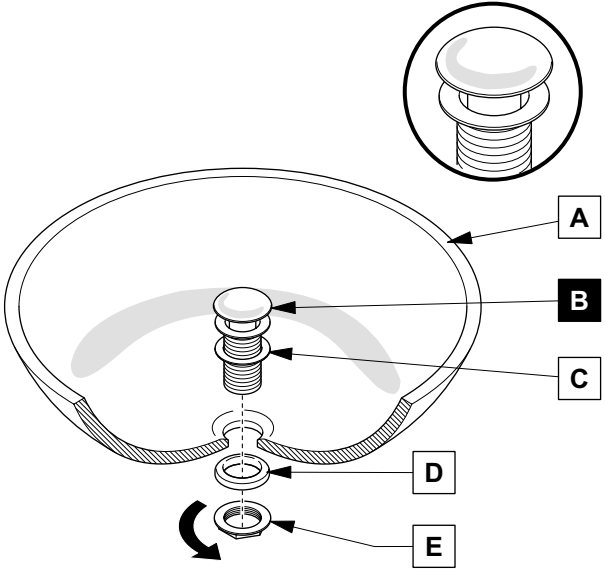


P-TRAP AND POP-UP INSTALLATION INSTRUCTIONS



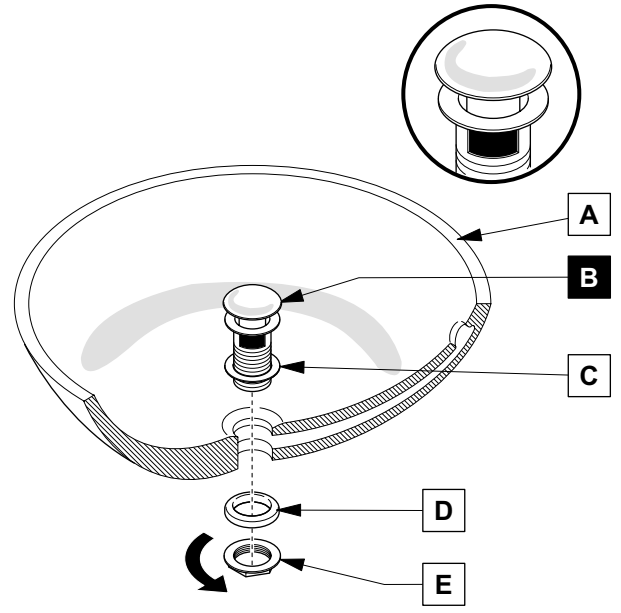
POP-UP INSTALLATION

FOR SINKS WITHOUT OVERFLOW



OR

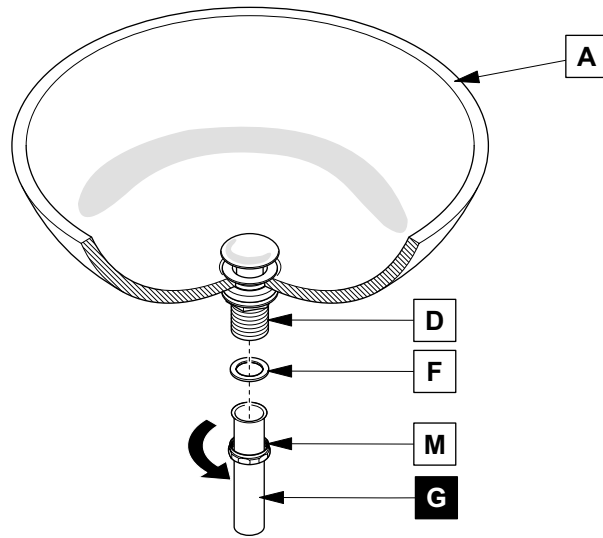
FOR SINKS WITH OVERFLOW



P-TRAP INSTALLATION

1

Install tail pipe (G)



2

Install p-trap (J)

