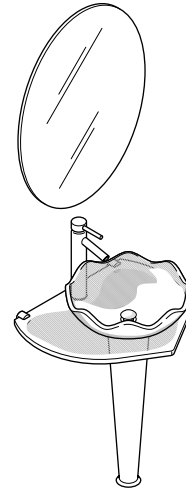
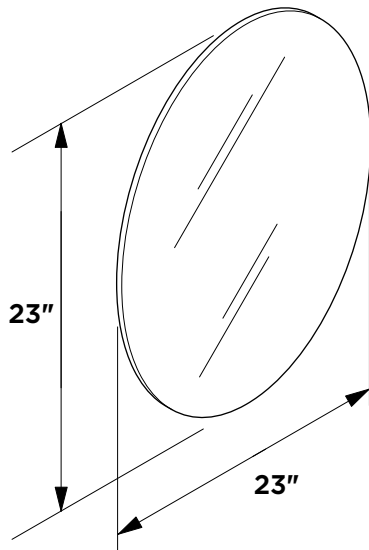


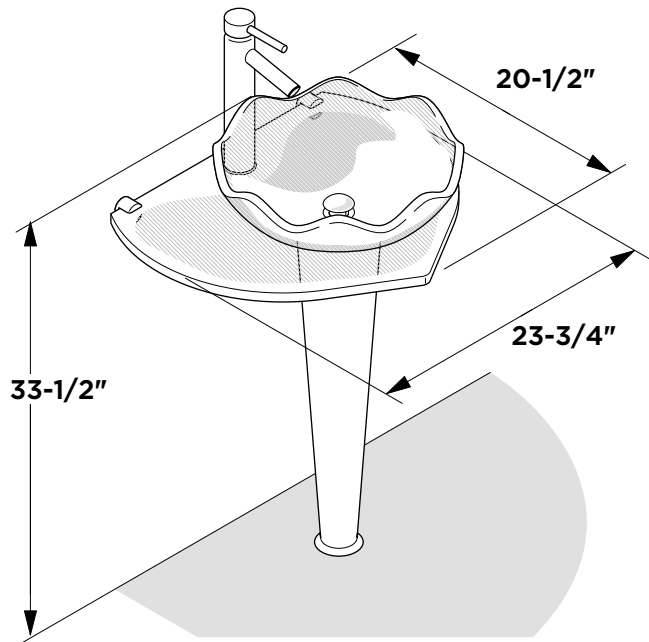


Mirror

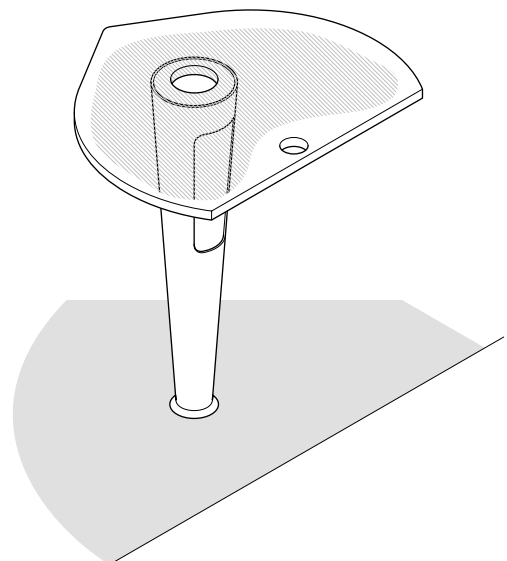


FVN1036

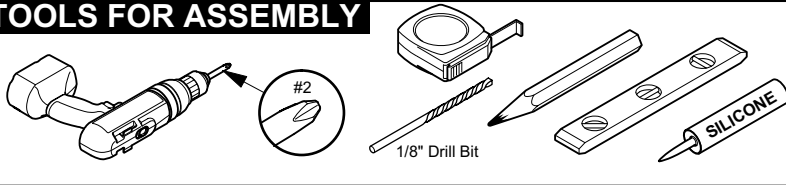
Vanity Front



Vanity Back



TOOLS FOR ASSEMBLY

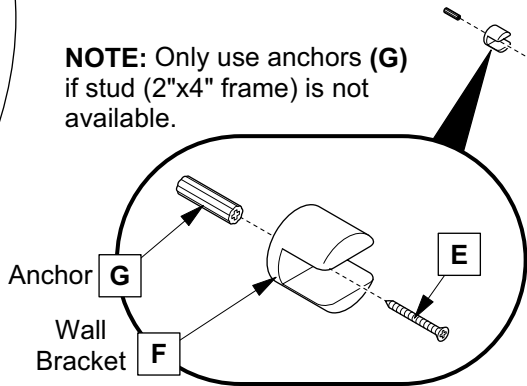


PARTS

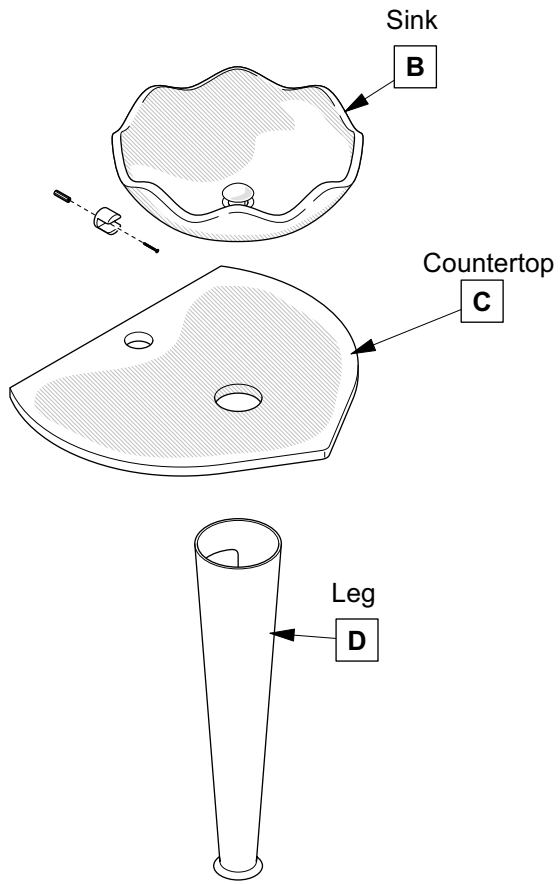


Mirror
A

NOTE: Only use anchors (G) if stud (2"x4" frame) is not available.



Anchor **G**
Wall Bracket **F**



Sink
B

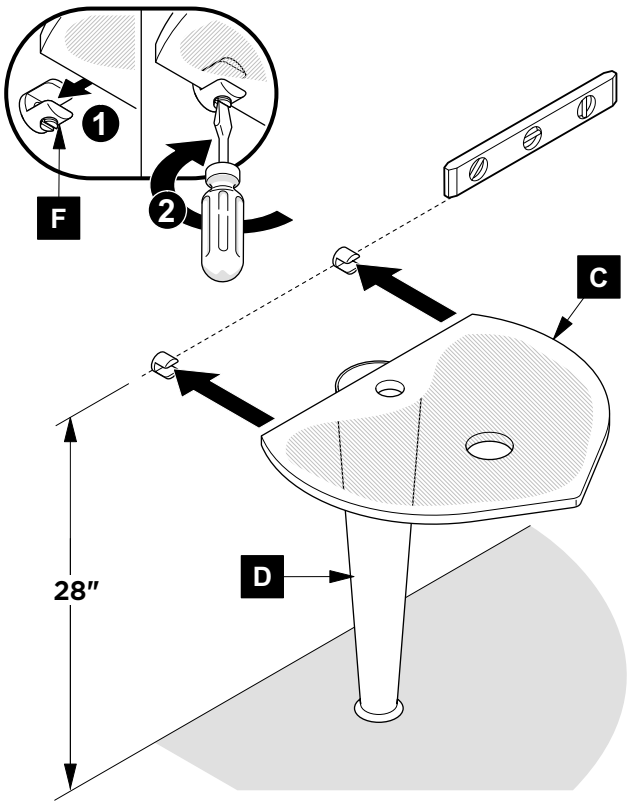
Countertop
C

Leg
D

1 Install wall brackets (F)

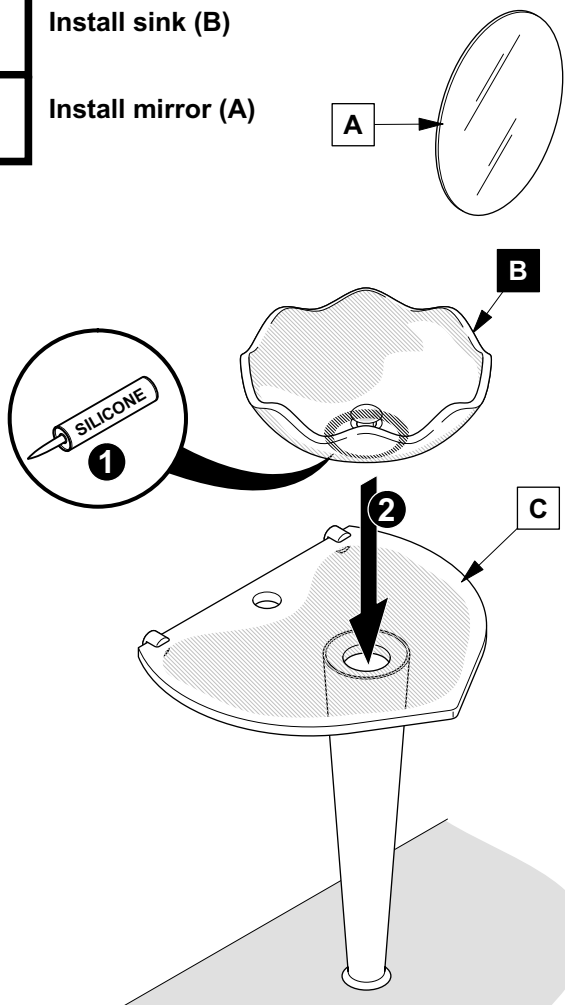
IMPORTANT: Consult an expert for the proper screws/bolts to use when attaching to various wall constructions. Screws provided **do not** attach to all wall construction types.

2 Locate leg (D) and install countertop (C)

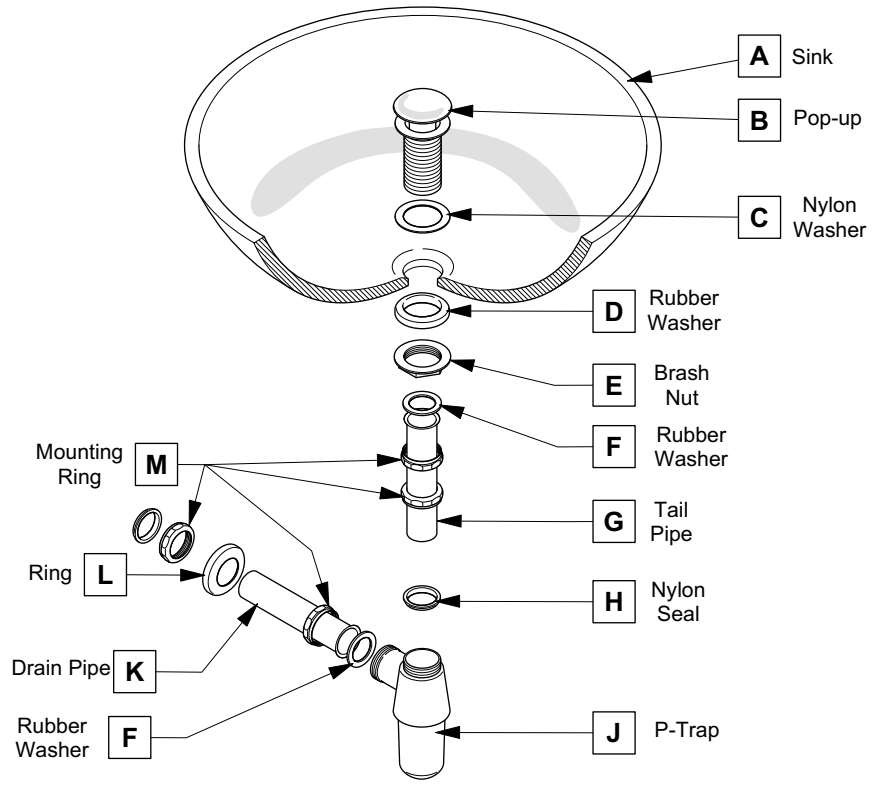


3 Install sink (B)

4 Install mirror (A)

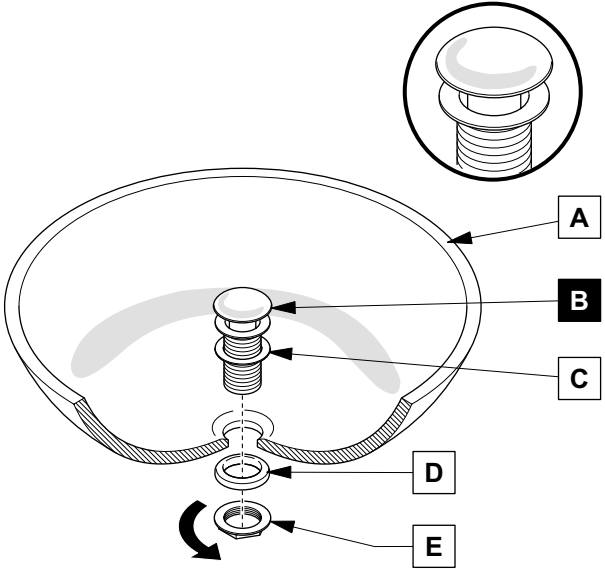


P-TRAP AND POP-UP INSTALLATION INSTRUCTIONS



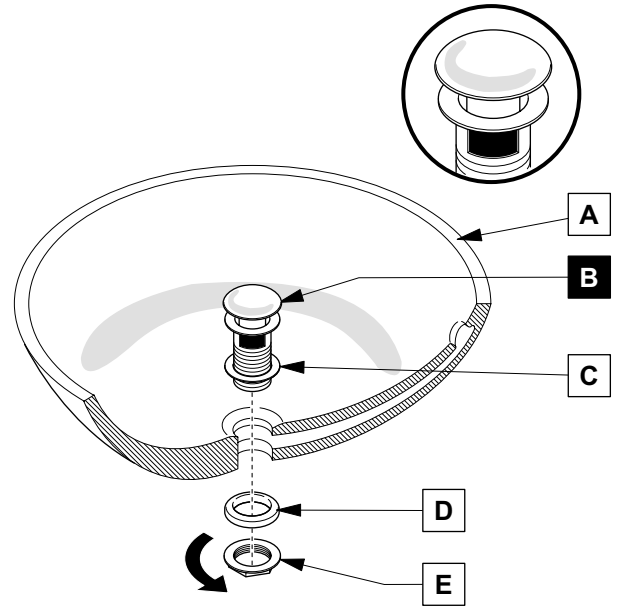
POP-UP INSTALLATION

FOR SINKS WITHOUT OVERFLOW



OR

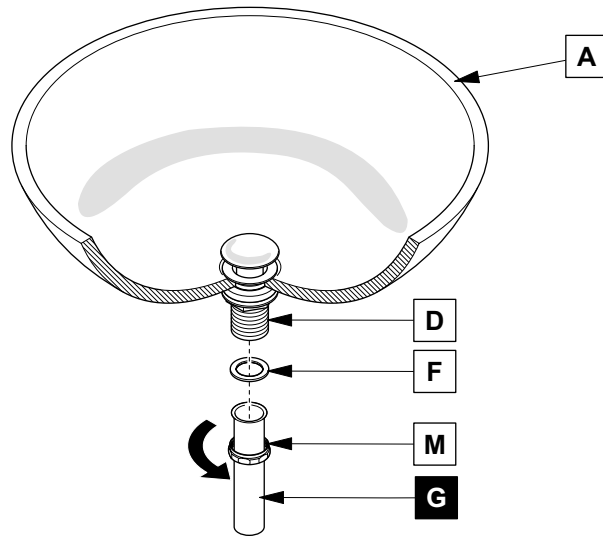
FOR SINKS WITH OVERFLOW



P-TRAP INSTALLATION

1

Install tail pipe (G)



2

Install p-trap (J)

