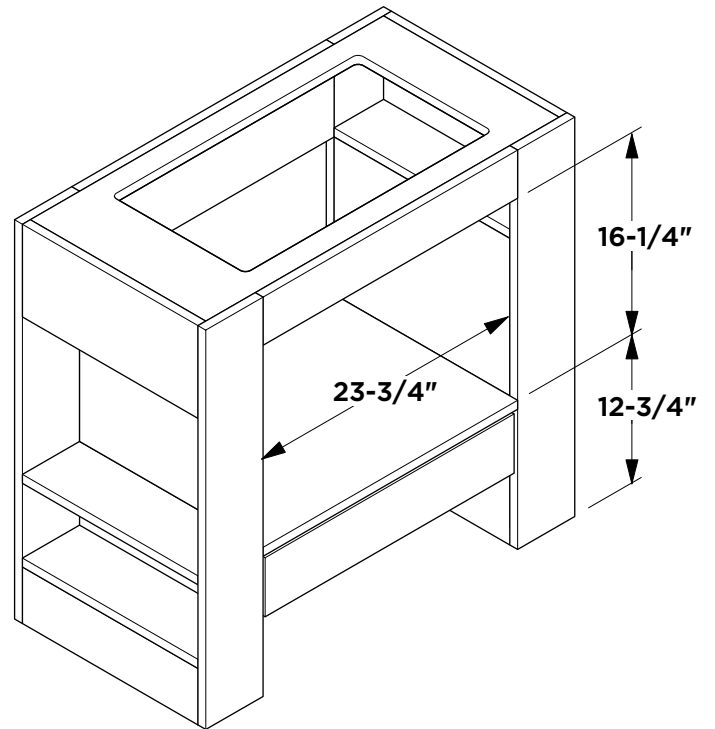
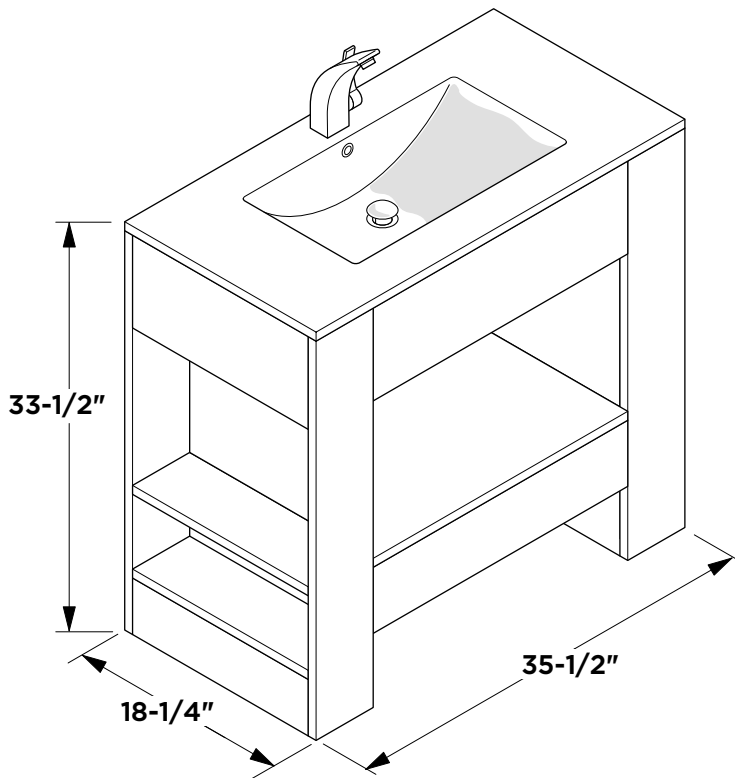
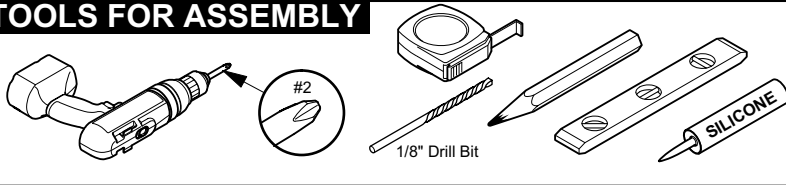


Vanity Front

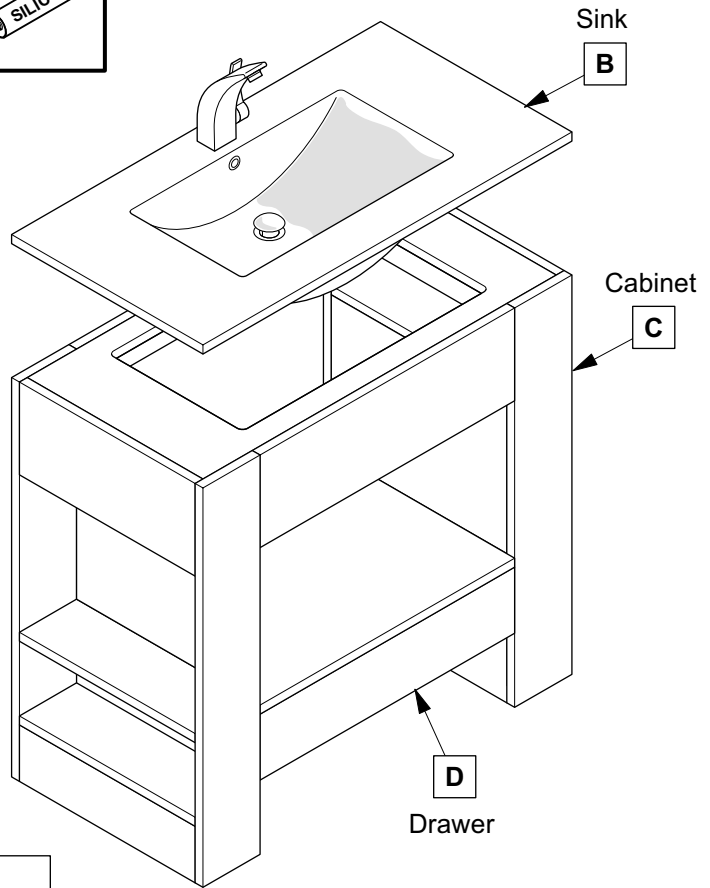
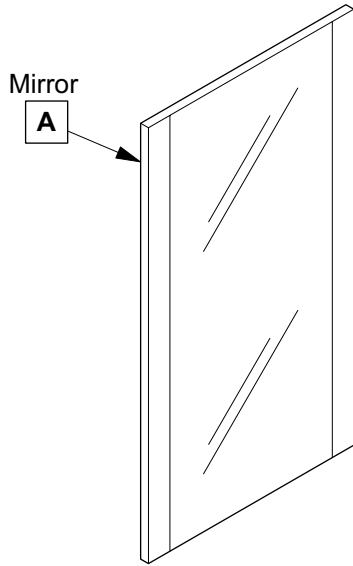
Vanity Back



TOOLS FOR ASSEMBLY

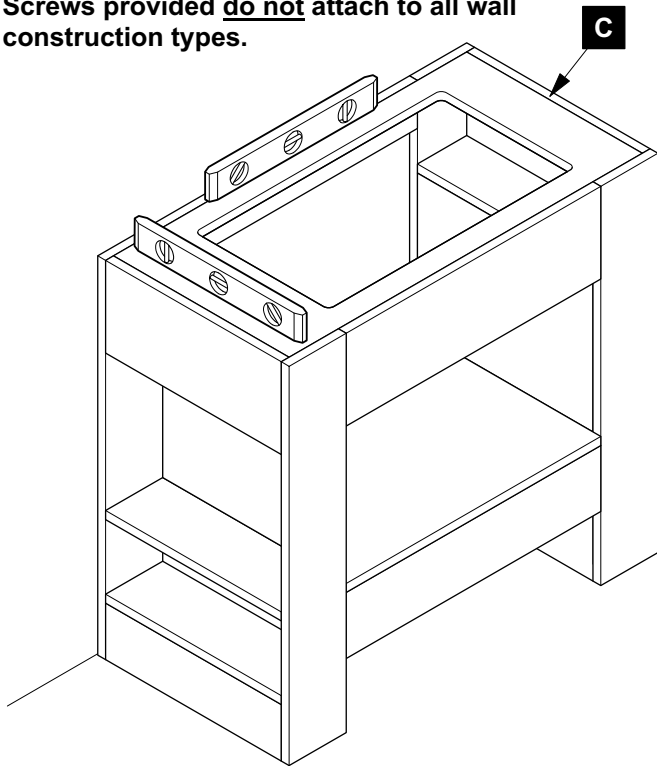


PARTS



1 Install cabinet (C)

IMPORTANT: Consult an expert for the proper screws/bolts to use when attaching to various wall constructions. Screws provided do not attach to all wall construction types.



2 Apply silicone and install sink (B)

3 Install Mirror (A)

