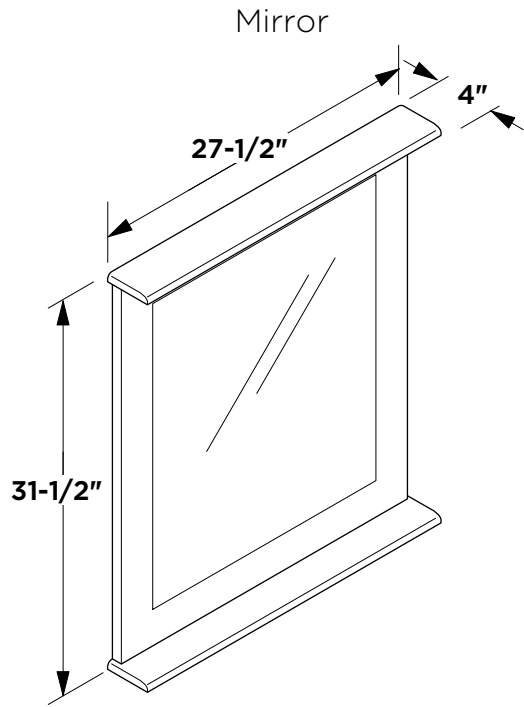
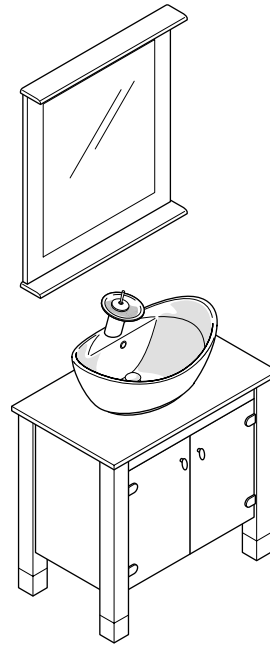




FVN3328  
EMOTIVO  
INSTALLATION GUIDE



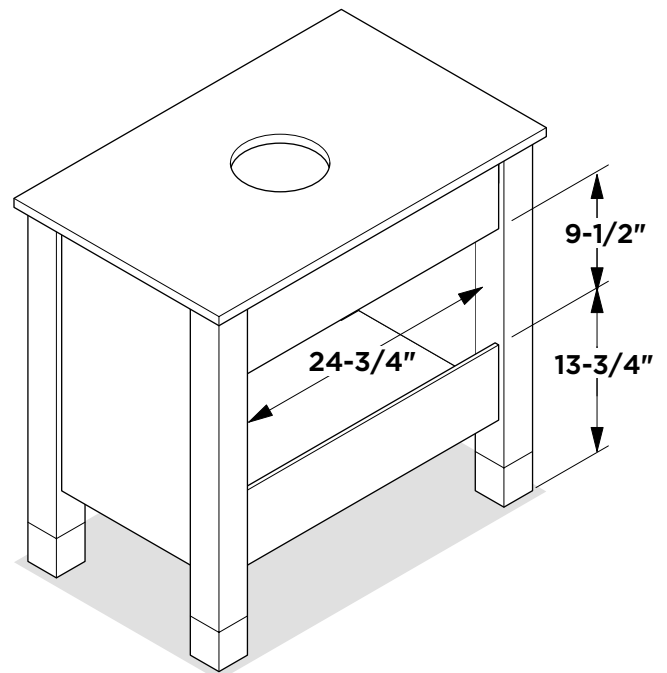
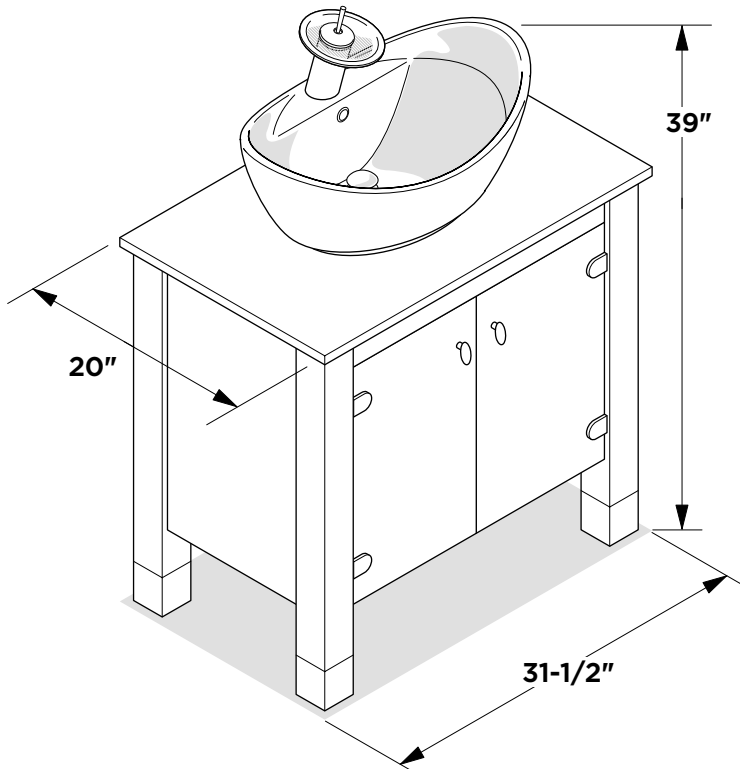
Mirror



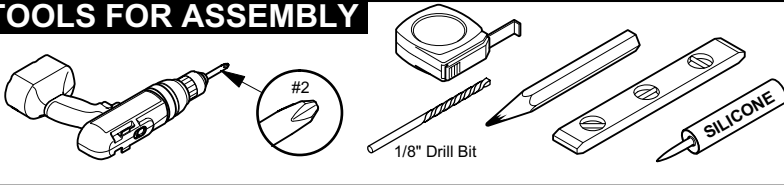
FVN3328

Vanity Front

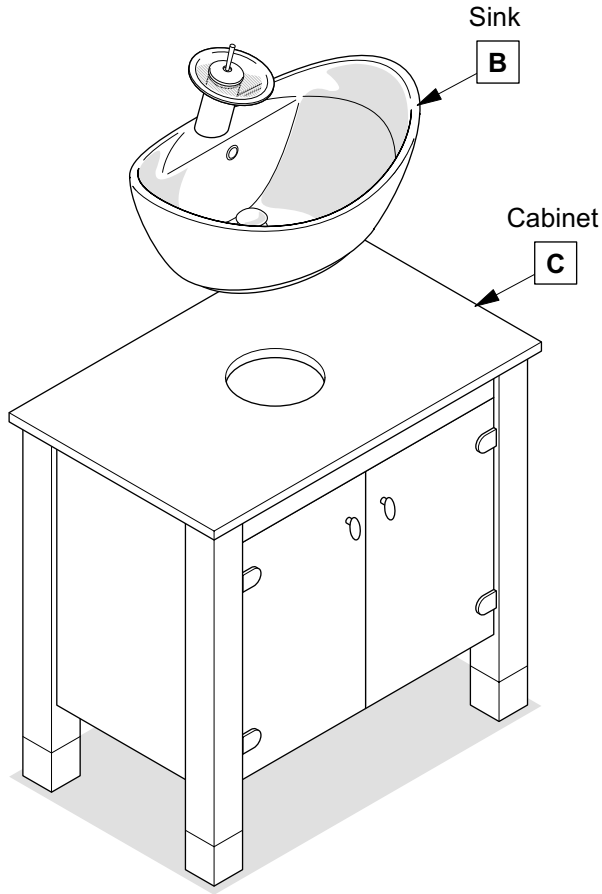
Vanity Back



# TOOLS FOR ASSEMBLY

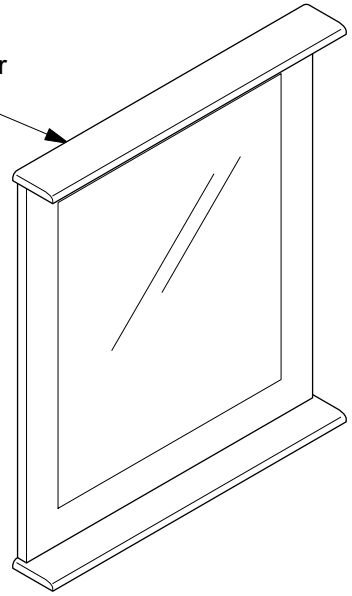


## PARTS



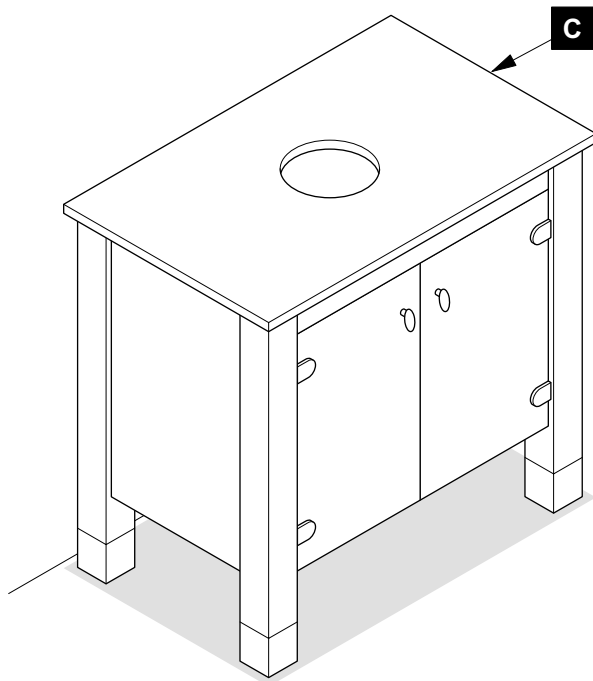
Mirror

**A**



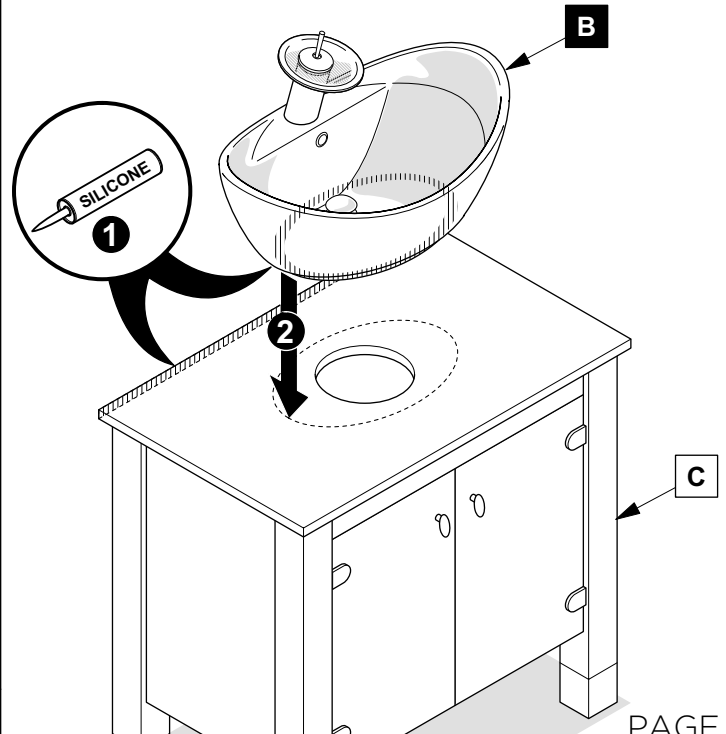
**1**

Position cabinet (C)

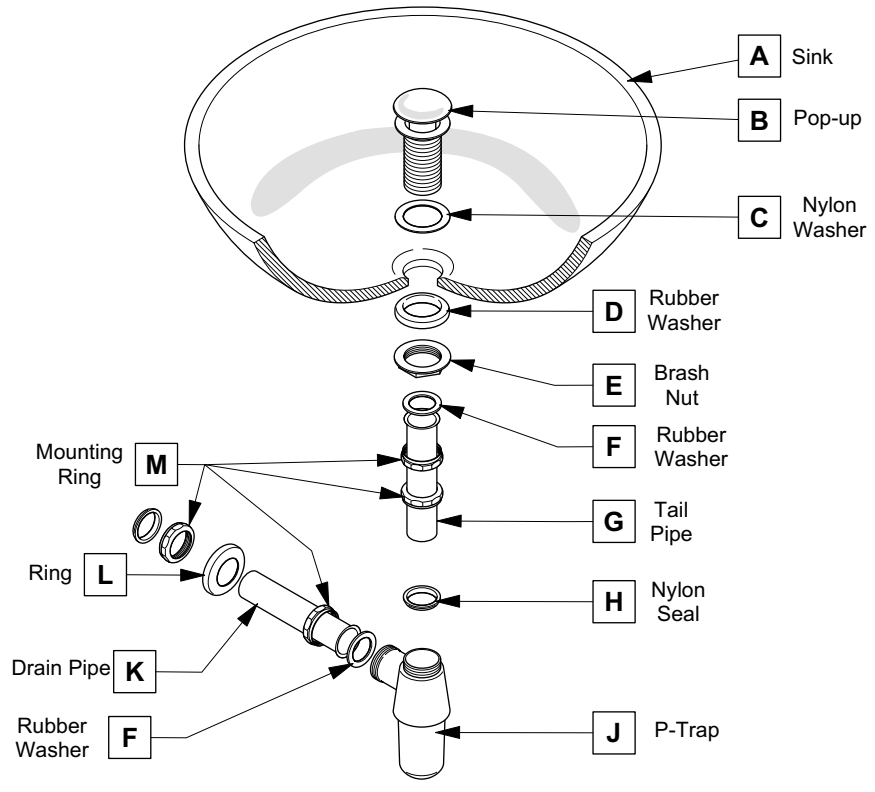


**2**

Apply silicone and install sink (B)

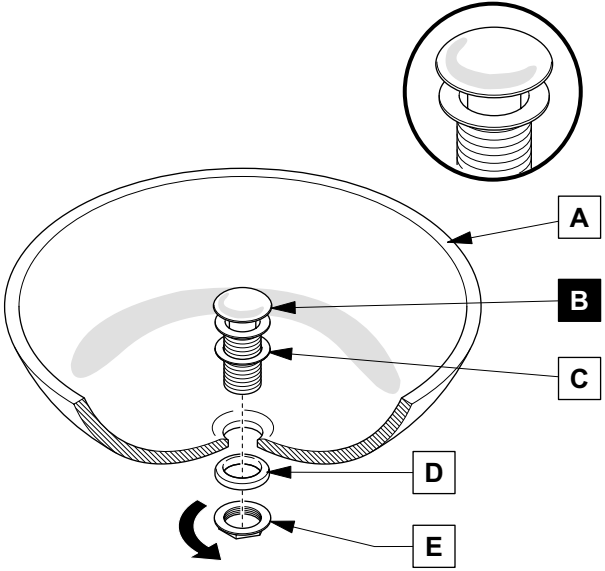


# P-TRAP AND POP-UP INSTALLATION INSTRUCTIONS



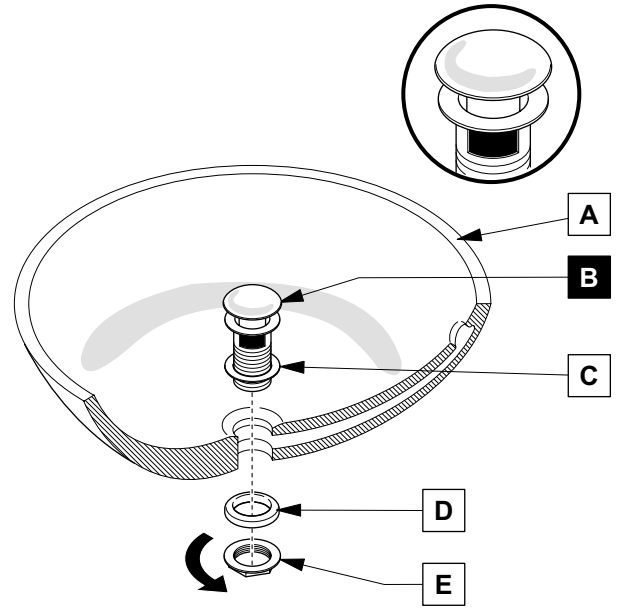
## POP-UP INSTALLATION

### FOR SINKS WITHOUT OVERFLOW



**OR**

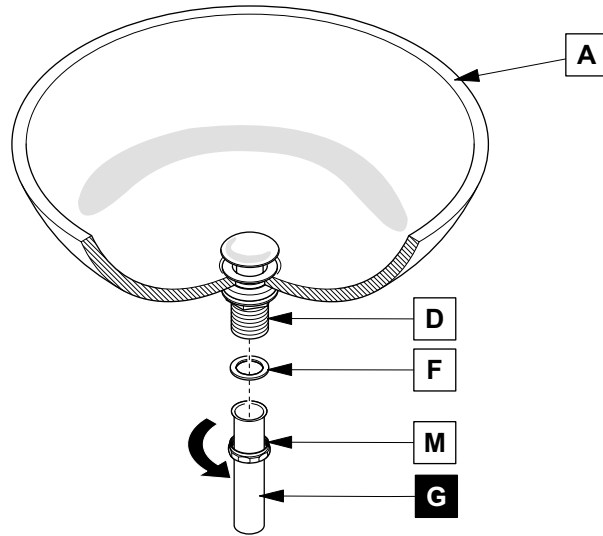
### FOR SINKS WITH OVERFLOW



# P-TRAP INSTALLATION

1

Install tail pipe (G)



2

Install p-trap (J)

