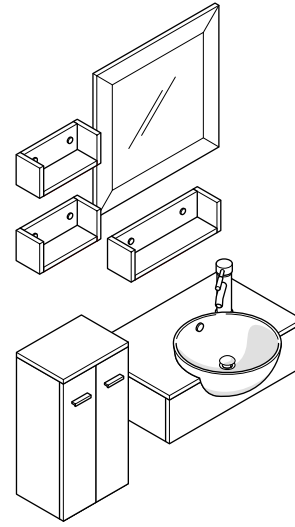
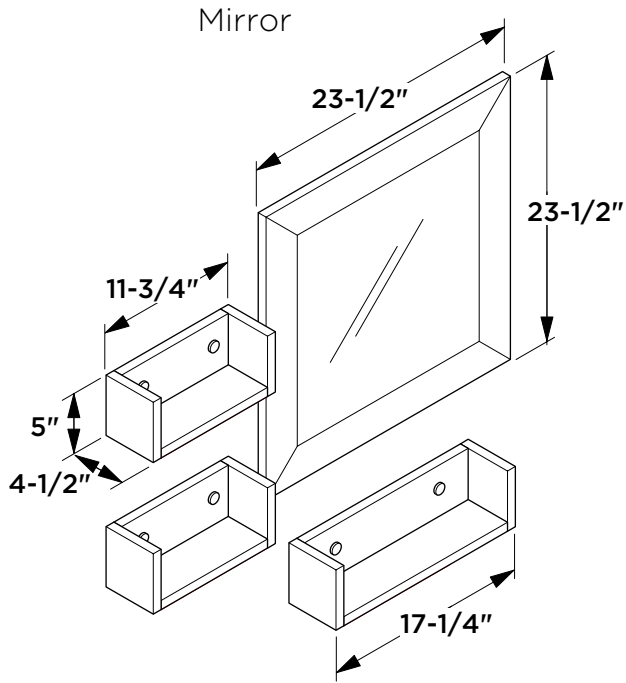


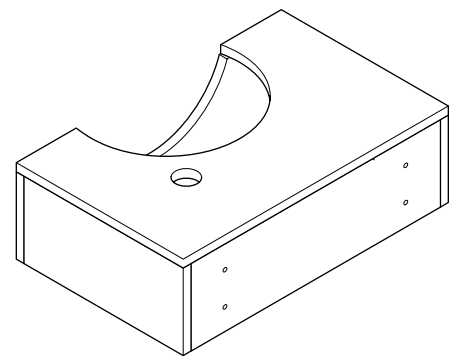
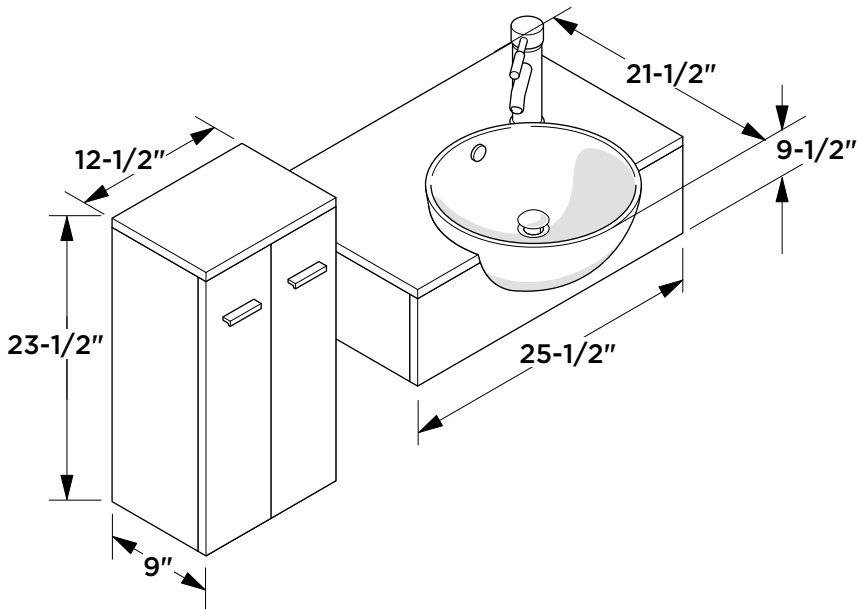
**FVN3520**  
**STILE**  
**INSTALLATION GUIDE**



FVN3520

Vanity Front

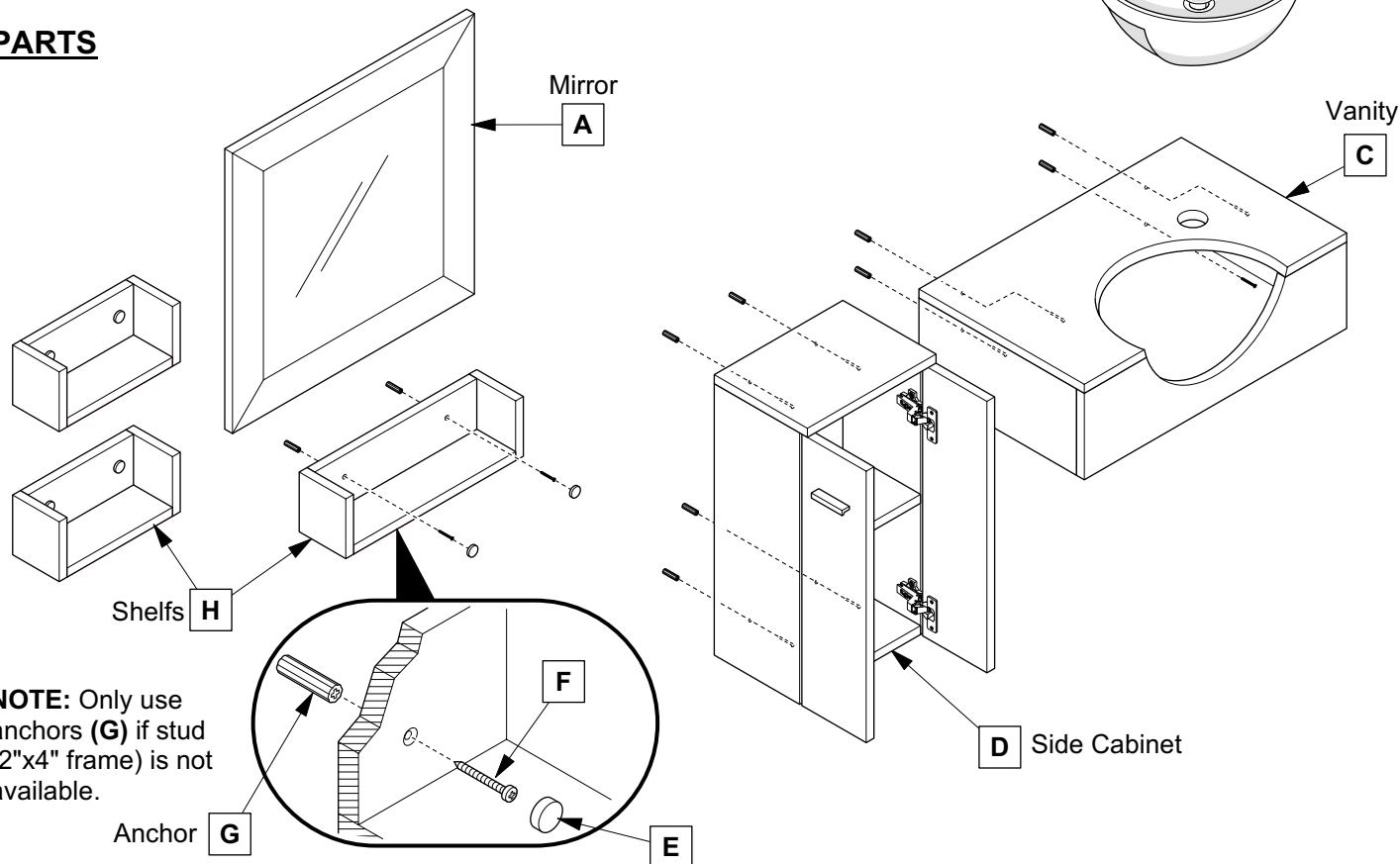
Vanity Back



**TOOLS FOR ASSEMBLY**



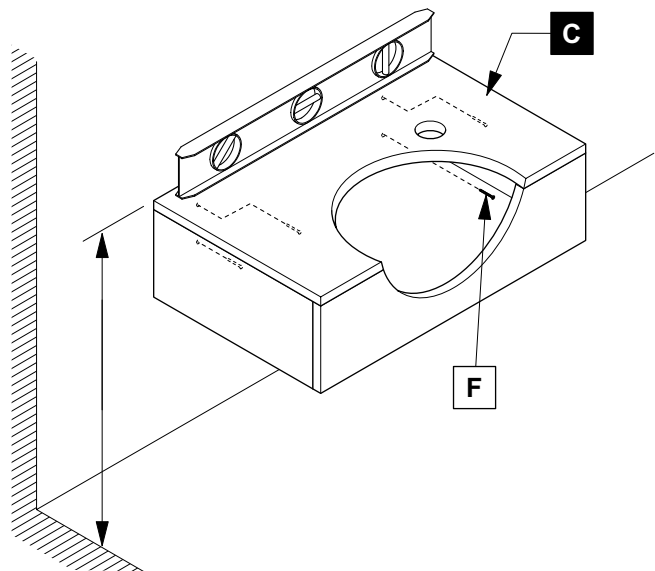
**PARTS**



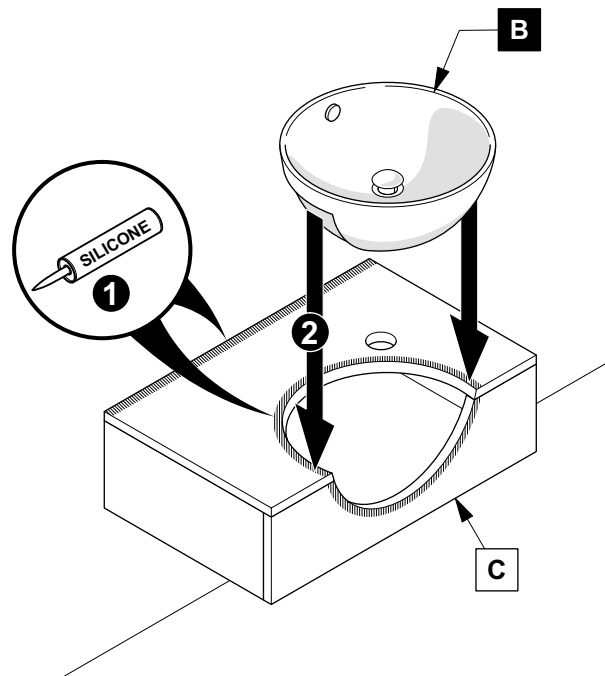
**NOTE:** Only use anchors (G) if stud (2"x4" frame) is not available.

**1 Install vanity (C)**

**IMPORTANT:** Consult an expert for the proper screws/bolts to use when attaching to various wall constructions. Screws provided do not attach to all wall construction types.



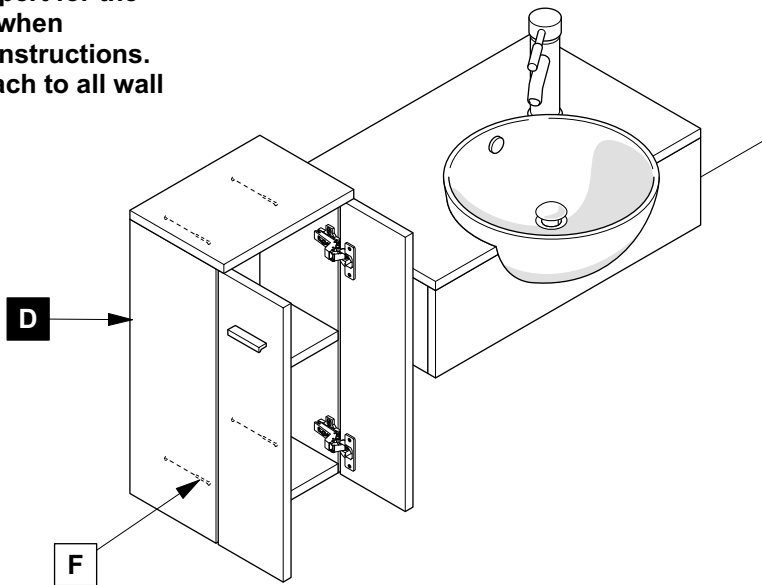
**2 Install sink (B)**



### 3

### Install side cabinet (D)

**IMPORTANT:** Consult an expert for the proper screws/bolts to use when attaching to various wall constructions. Screws provided do not attach to all wall construction types.



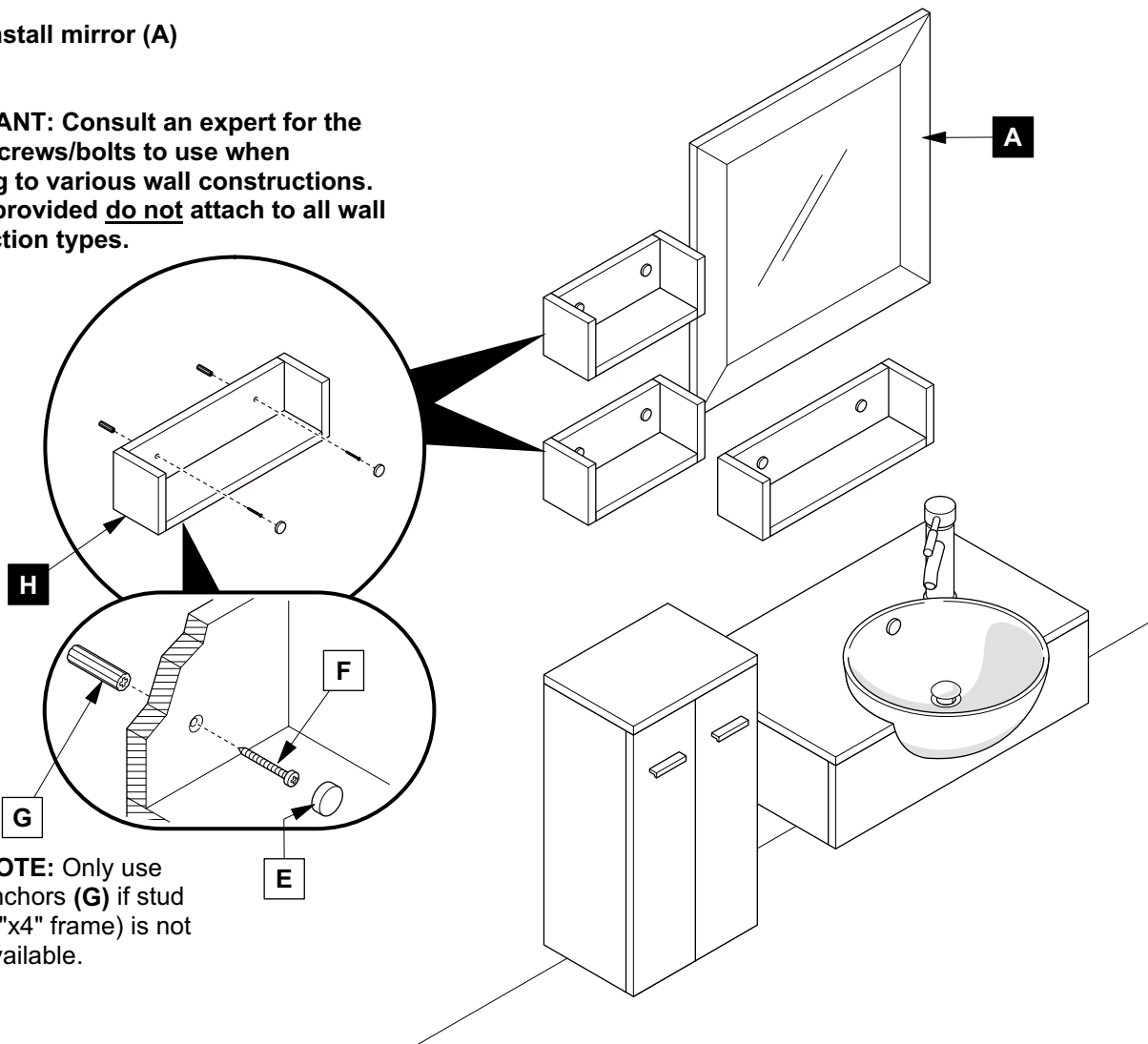
### 4

### Install shelves (H)

### 5

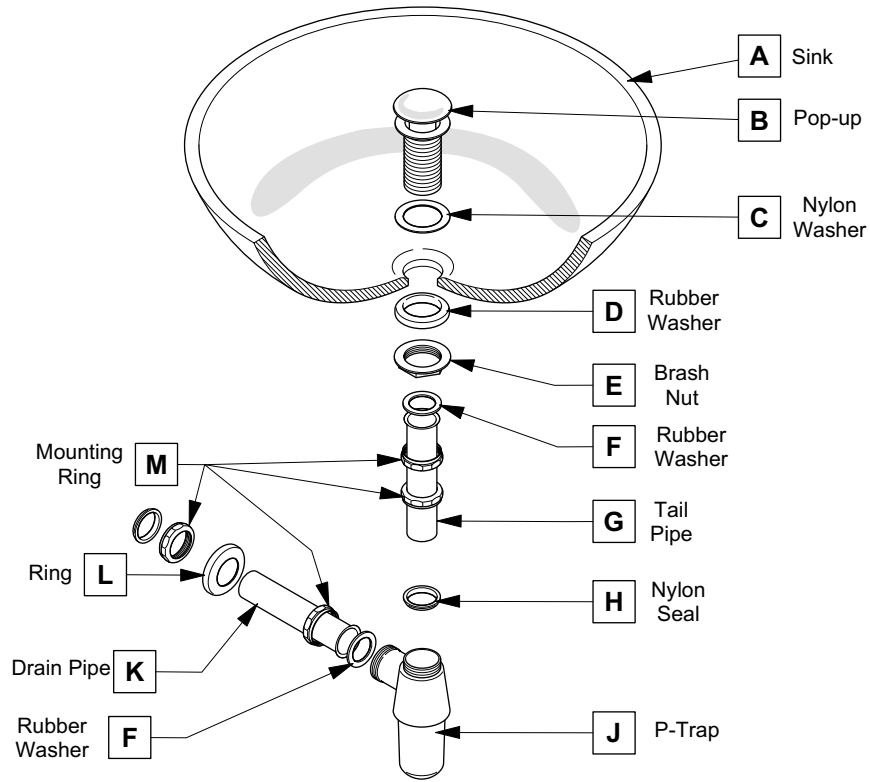
### Install mirror (A)

**IMPORTANT:** Consult an expert for the proper screws/bolts to use when attaching to various wall constructions. Screws provided do not attach to all wall construction types.



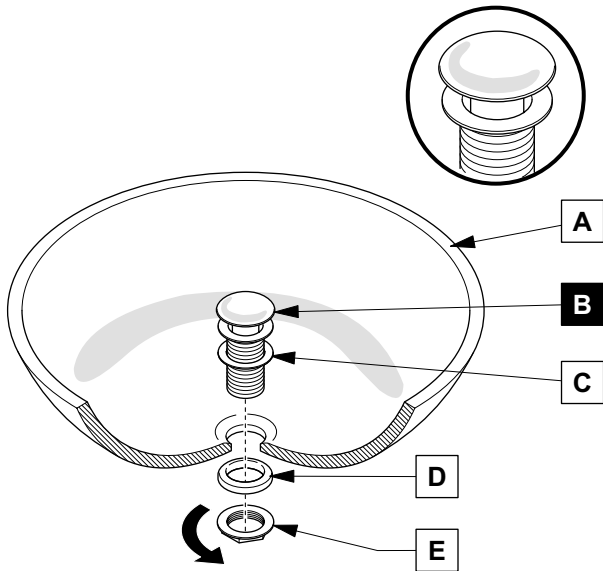
**NOTE:** Only use anchors (G) if stud (2"x4" frame) is not available.

## P-TRAP AND POP-UP INSTALLATION INSTRUCTIONS



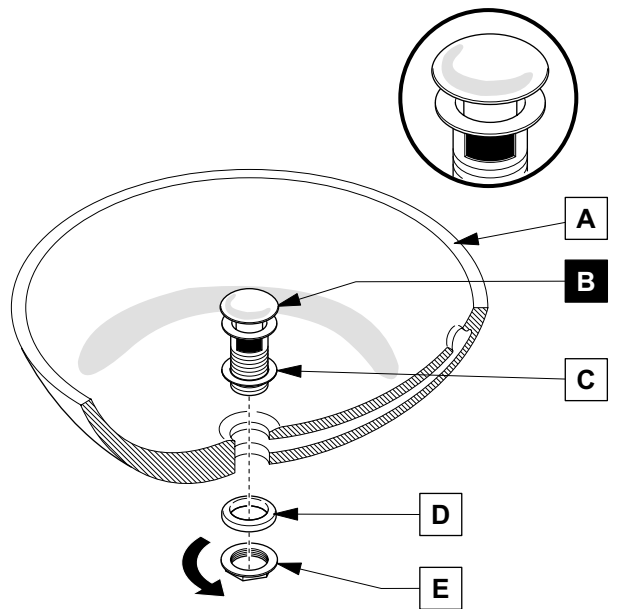
### POP-UP INSTALLATION

#### FOR SINKS WITHOUT OVERFLOW



**OR**

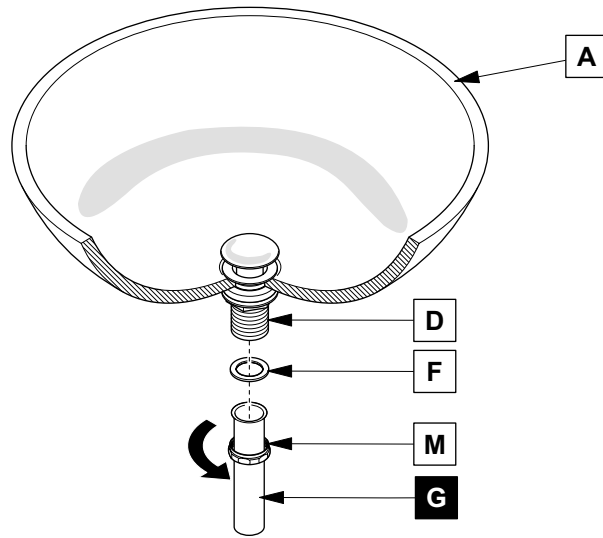
#### FOR SINKS WITH OVERFLOW



# P-TRAP INSTALLATION

1

Install tail pipe (G)



2

Install p-trap (J)

