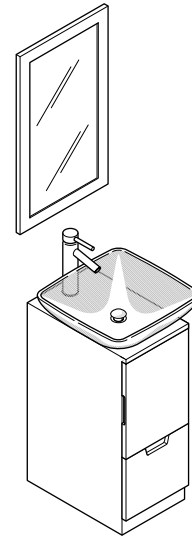
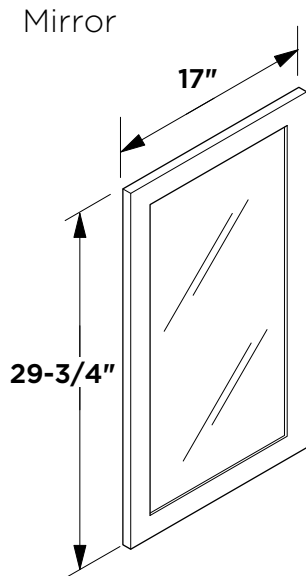


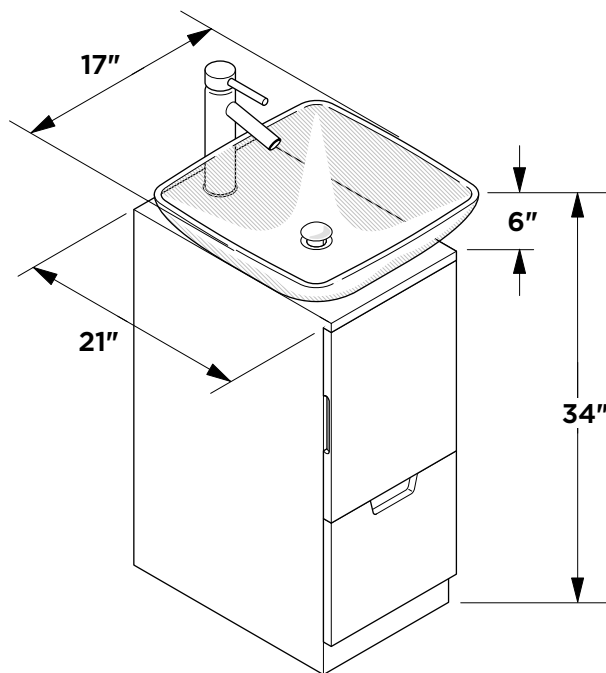


FVN6117
BRILLIANTE
INSTALLATION GUIDE

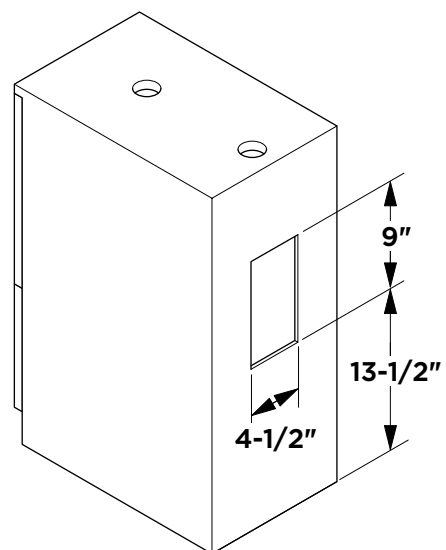


FVN6117

Vanity Front



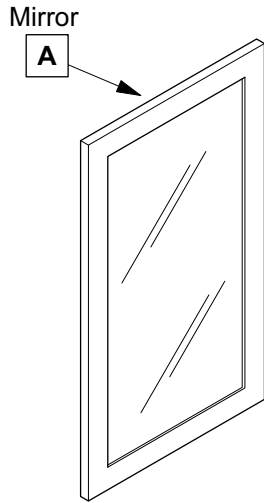
Vanity Back



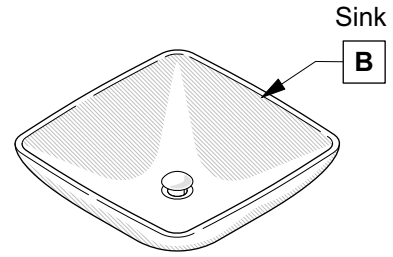
TOOLS FOR ASSEMBLY



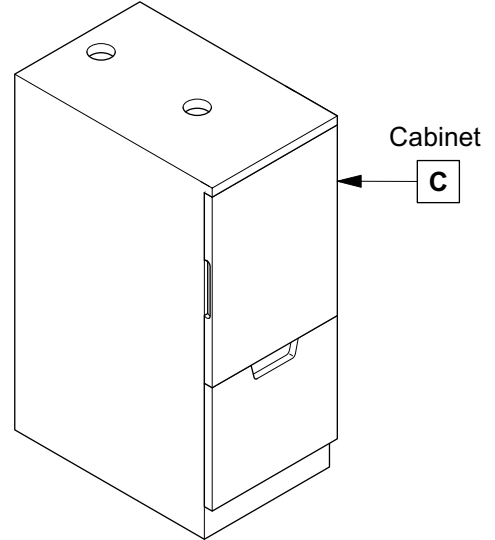
PARTS



Mirror



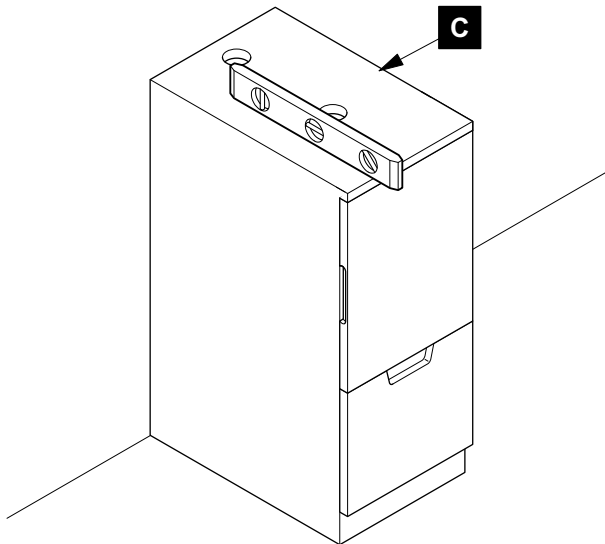
Sink



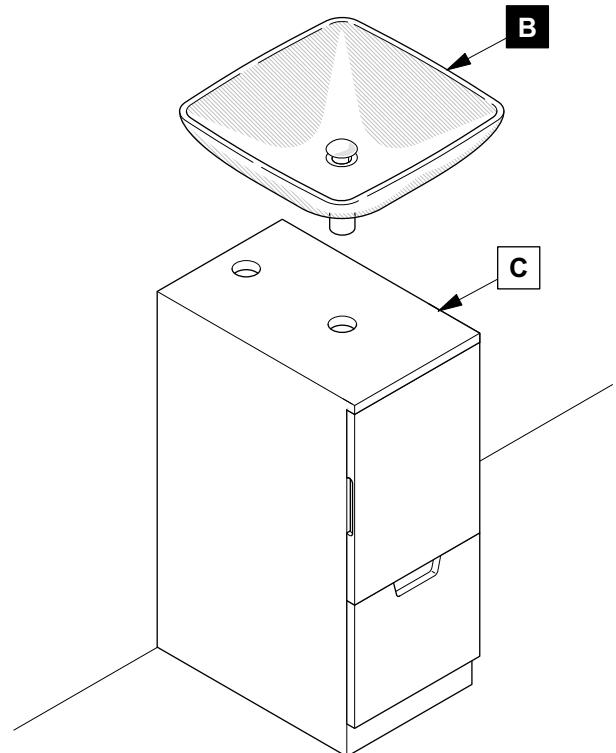
Cabinet

1 Position cabinet (C)

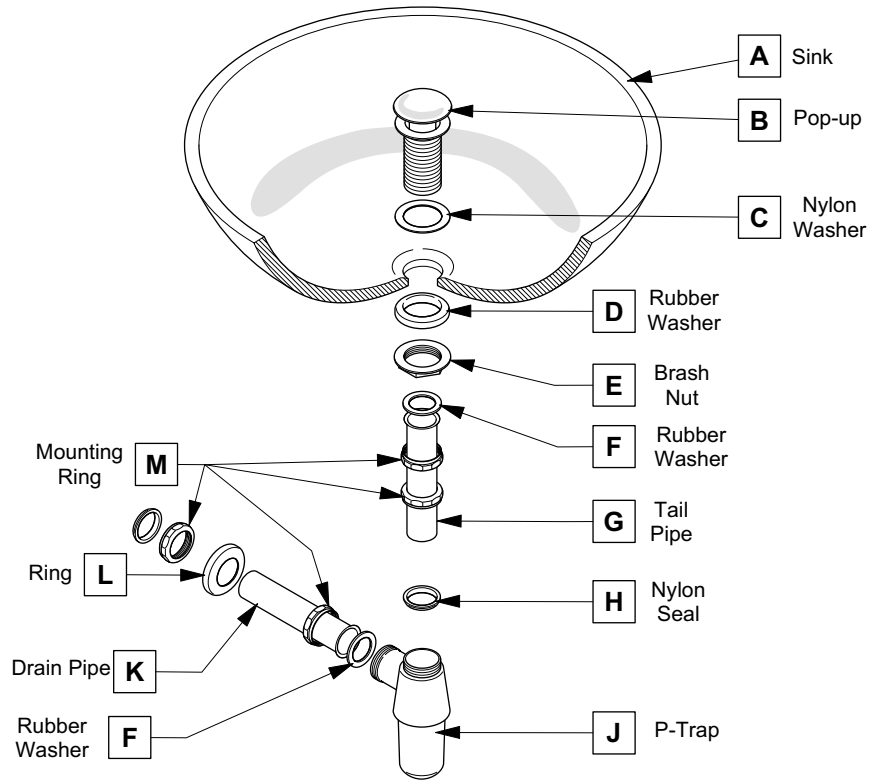
IMPORTANT: Consult an expert for the proper screws/bolts to use when attaching to various wall constructions. Screws provided do not attach to all wall construction types.



2 install sink (B)

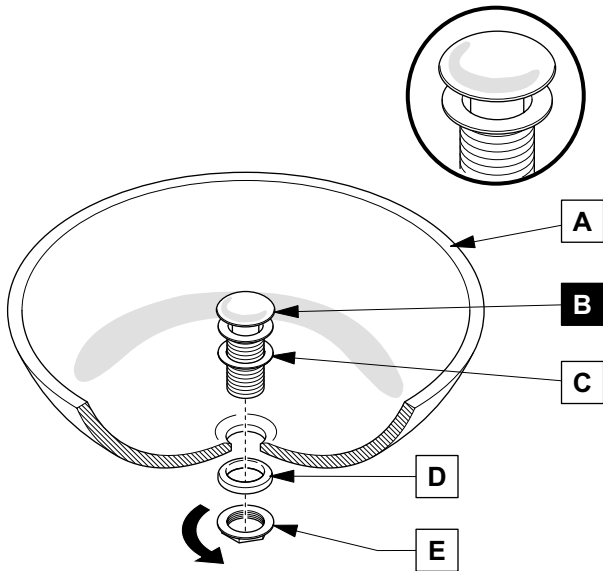


P-TRAP AND POP-UP INSTALLATION INSTRUCTIONS



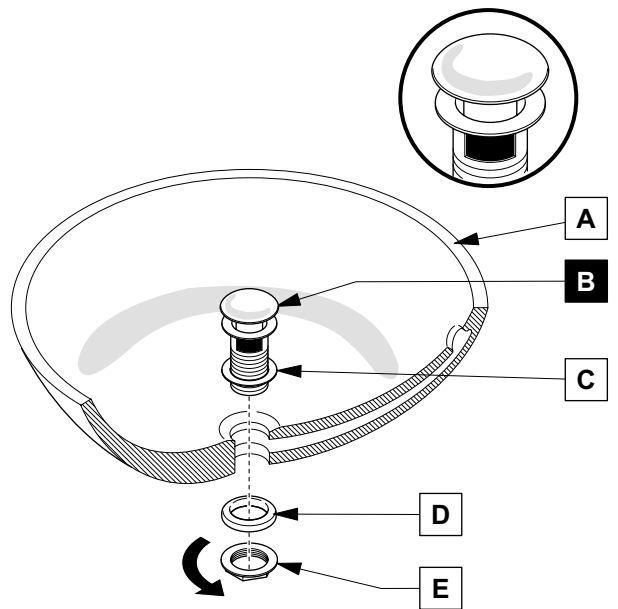
POP-UP INSTALLATION

FOR SINKS WITHOUT OVERFLOW



OR

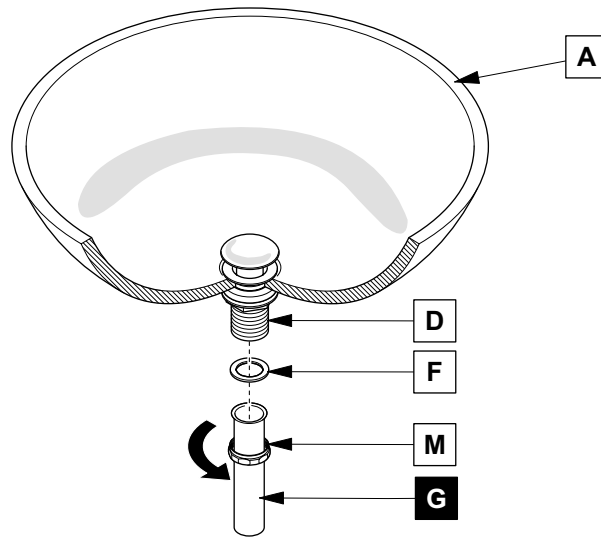
FOR SINKS WITH OVERFLOW



P-TRAP INSTALLATION

1

Install tail pipe (G)



2

Install p-trap (J)

