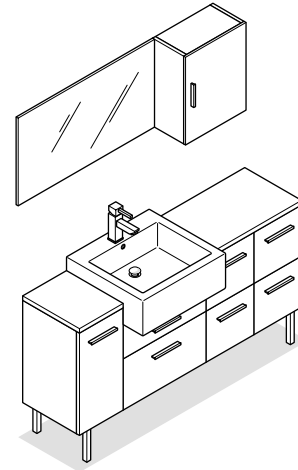
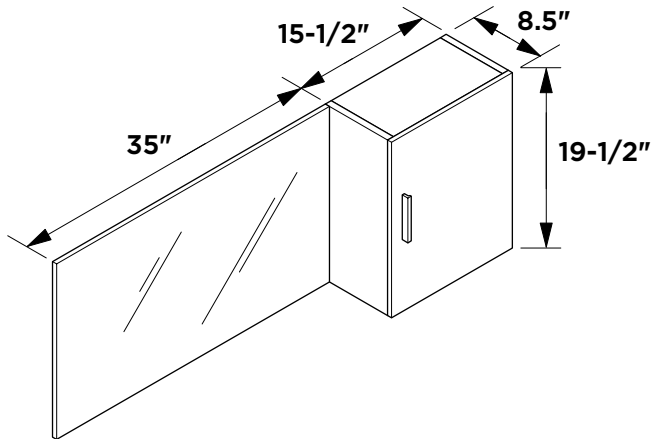


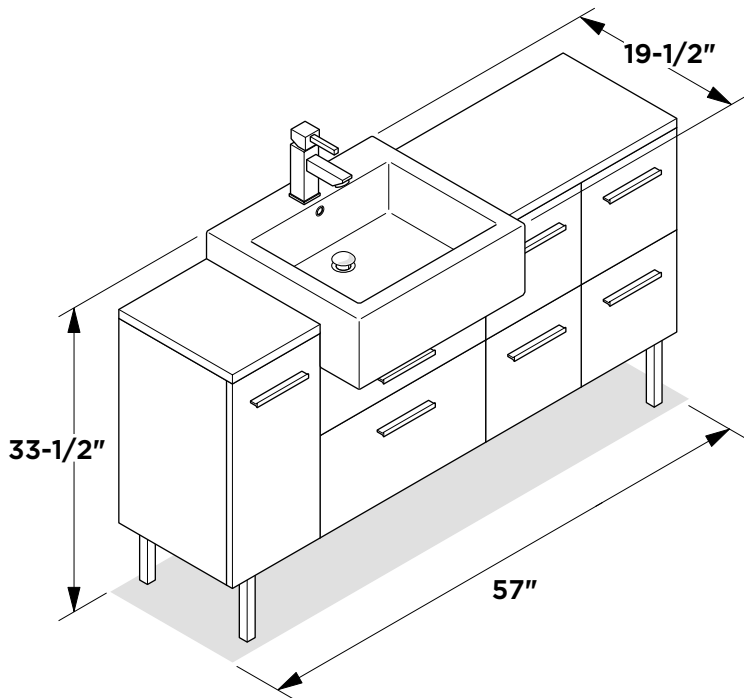


Mirror & Cabinet

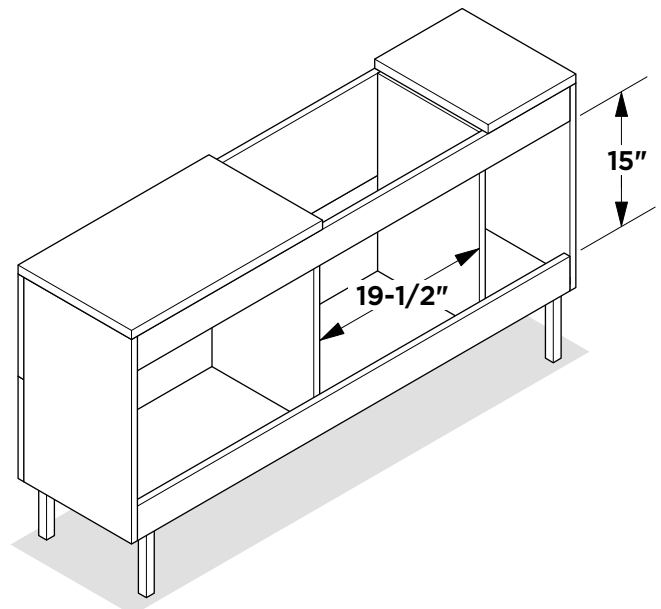


FVN6143

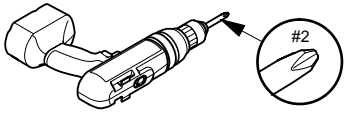
Vanity Front



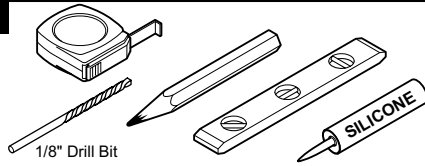
Vanity Back



TOOLS FOR ASSEMBLY



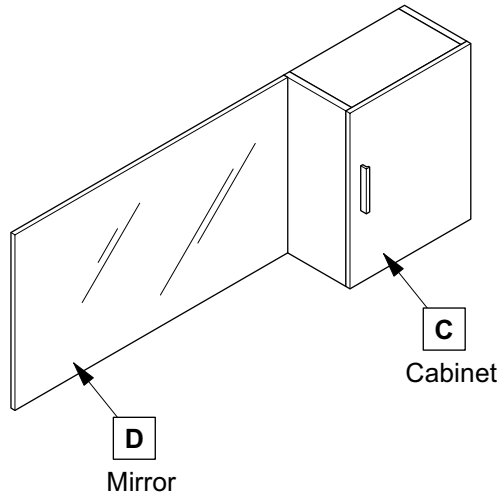
#2



1/8" Drill Bit

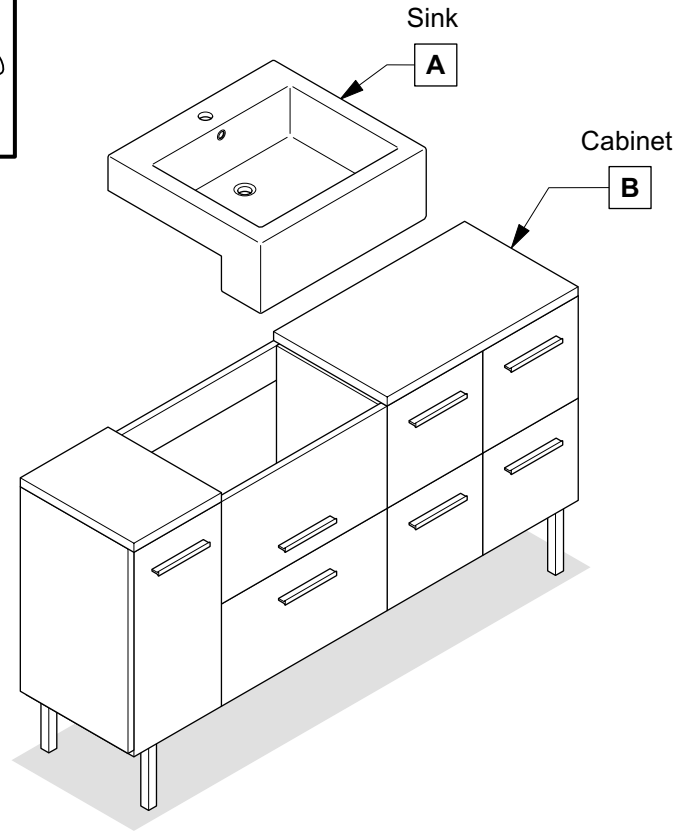
SILICONE

PARTS



D
Mirror

C
Cabinet

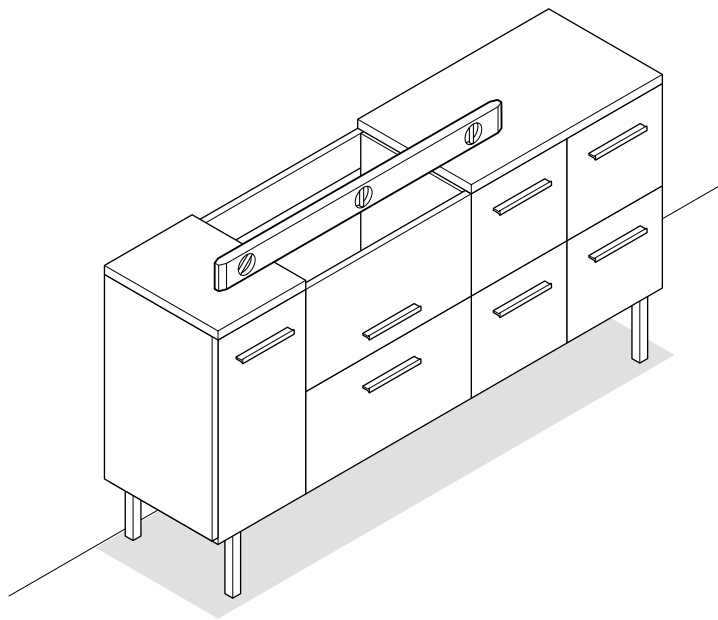


Sink
A

Cabinet
B

1 Install cabinet (B)

IMPORTANT: Consult an expert for the proper screws/bolts to use when attaching to various wall constructions. Screws provided do not attach to all wall construction types.



2 Apply silicone and install sink (A)

